

MINIMAN-160 TopGrade

EXTRACTION ARM

The MiniMan-160 TopGrade is a flexible arm made of stainless steel, which makes it ideal for use in corrosive environments and environments where hygiene is important, such as the food processing industry.

The arm is fitted with exterior friction joints. The inner tubes are kept in place by a gas spring. This design ensures smooth movement of the arm.



APPLICATIONS

The MiniMan-160 TopGrade is intended to be used for the following applications:



- corrosive environments
- food processing industry
- chemical applications
- airborne dust
- damp and dust extraction

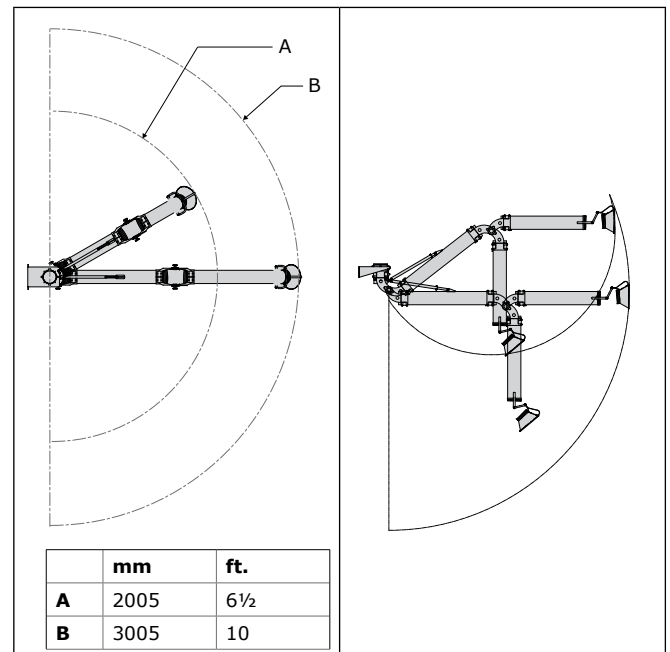
SPECIFICATIONS

Physical dimensions and properties

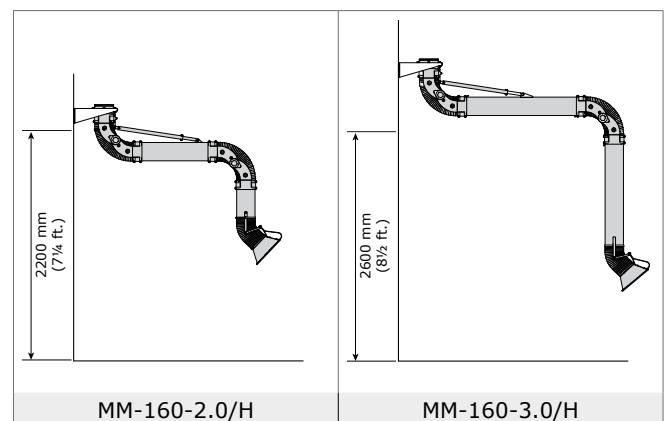
Diameter:	
• hose	Ø 160 mm (6¼ in.)
• hood	Ø 300 mm (11¾ in.)
Material:	
• tubes	• stainless steel grade 316L
• hoses	• polyurethane, reinforced with internal stainless steel wire (clear; food grade)
• joints	• PA6 plastic
Mounting position	hanging
Performance	
Recommended airflow	800-1450 m³/h (471-853 CFM)
• min. airflow	• 800 m³/h (471 CFM)
Conditions of storage and use	
Process temperature:	
• min.	• 5°C (41°F)
• nom.	• 20°C (68°F)
• max.	• 80°C (176°F)
Max. relative humidity	90%
Suitable for outdoor use	no
Storage conditions	• 5-45°C (41-113°F) • relative humidity max. 80%
Scope of supply	
Extraction arm (fully assembled) Mounting bracket	
Order information	
Number/package	1
Logistics data	
Packing dimensions	1760 x 740 x 360 mm (69½ x 29 x 14 in.)

Max. number/pallet	3
Harmonized Tariff Code	84219990

WORKING REACH



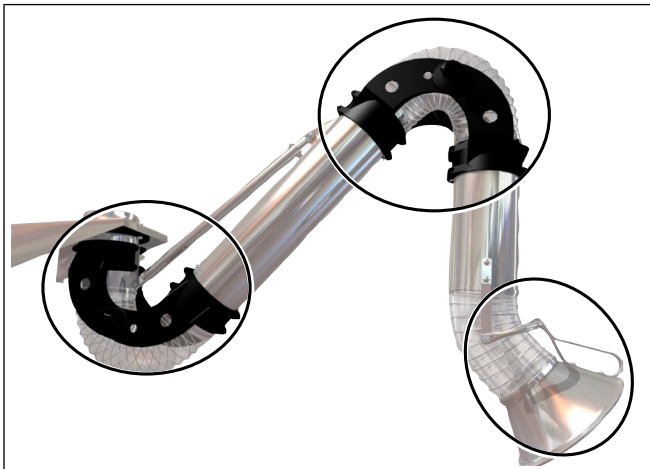
MOUNTING EXAMPLES



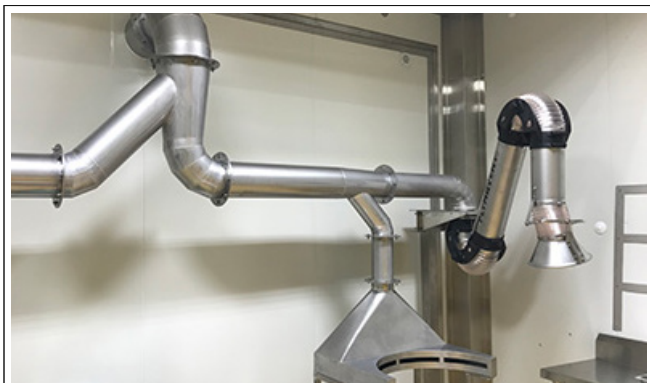
Remaining specifications

Type	MM-160-2.0/H stainless	MM-160-3.0/H stainless
Physical dimensions and properties		
Length (nom.)	2 m (6½ ft)	3 m (10 ft)
Weight (net)	23,5 kg (52 lbs.)	25,5 kg (56 lbs.)
Order information		
Article no.	0000101124	0000101125
Logistics data		
Gross weight	25 kg (55 lbs.)	27 kg (60 lbs.)

FEATURES & BENEFITS

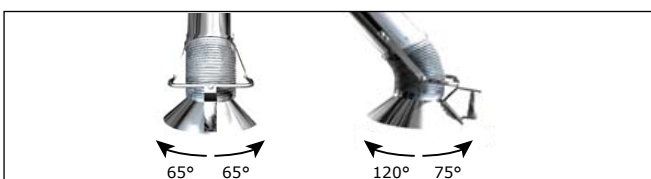


Exterior friction joints ("ClearThru" design), which allows for maximum air velocity, low pressure drop and low noise level

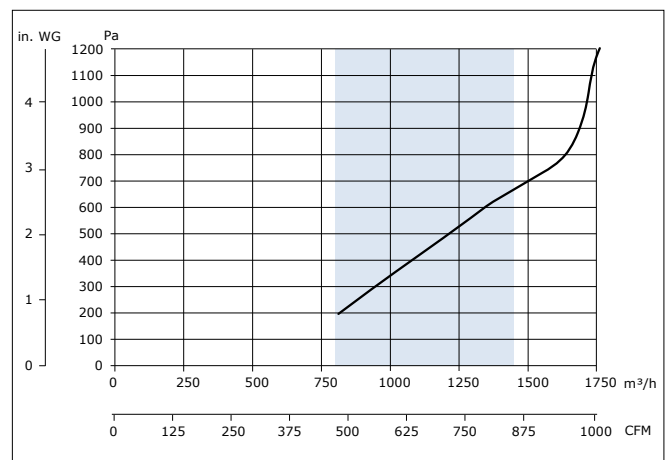


Special TopGrade version for clean working environments

ARM MOVEMENT



PRESSURE DROP



Application restrictions

Do **not** use the product for the following applications or in the following circumstances: polishing applications in combination with grinding, welding or any other application that generate sparks (fibres from polishing or abrasive flap disks are highly flammable and pose a high risk of filter fires when exposed to sparks) | aluminium laser cutting | oil mist | heavy oil mist in welding fume | arc-air gouging | extraction of aggressive fumes and gases (e.g. from acids, from alkaline, from soldering paste containing lithium) | extraction of hot gases (more than 70°C/158°F continuously) | grinding aluminum and magnesium | flame spraying | extraction of cement, saw dust, wood dust etc. | sucking cigarettes, cigars, oiled tissues and other burning particles, objects and acids | explosive environments or explosive substances/gases



Product type
Article no.
Product category
Version

MiniMan-160 TopGrade
refer to Order information
extraction arms
281122/0

Always check the latest version on www.plymovent.com