

## ECONOMY ARM

### FLEXIBLE EXTRACTION ARM

Hose tube arm with spring balanced support mechanism. The hood has a safety mesh and a shut-off damper. The arm is 360° rotatable.

The EconomyArm arm is available in two different types:

- type **H**: for hanging mounting (wall bracket included)
- type **S**: for standing mounting (e.g. on a mobile unit)



### APPLICATIONS

The EconomyArm is intended to be used for the following applications:

- MIG-MAG/GMAW welding
- TIG welding
- FCAW welding
- stick/MMAW welding



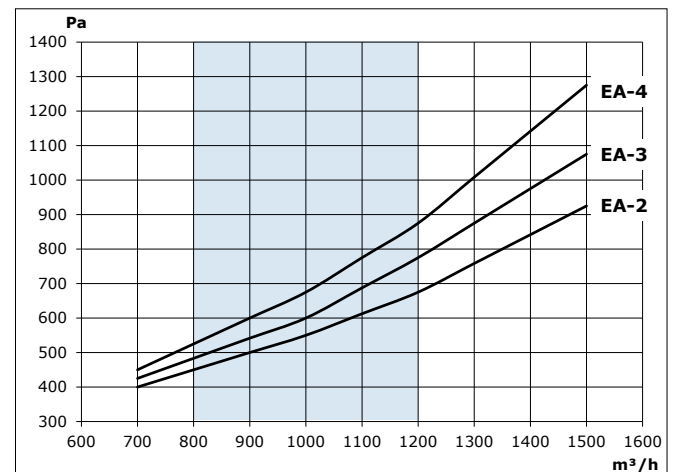
### SPECIFICATIONS

Physical dimensions and properties	
Diameter:	<ul style="list-style-type: none"> <li>• tubes</li> <li>• hood opening</li> </ul>
	<ul style="list-style-type: none"> <li>• Ø 160 mm (6¼ in.)</li> <li>• Ø 300 mm (11¾ in.)</li> </ul>
Material of hose	flame-retardant PVC, reinforced with spring steel wire
Colour	black
Performance	
Recommended airflow	800-1200 m³/h (470-710 cfm)
• min. airflow	• 800 m³/h (470 cfm)
Ambient conditions	
Process temperature:	
• min.	• 5°C (41°F)
• nom.	• 20°C (68°F)
• max.	• 70°C (158°F)
Max. relative humidity	90%
Suitable for outdoor use	no
Storage conditions	<ul style="list-style-type: none"> <li>• 5-45°C (41-113°F)</li> <li>• relative humidity max. 90%</li> </ul>
Options and accessories	
S-100	manual on/off switch for hood mounting
LL-5.5/24-160	manual on/off switch, incl. LED working light
Product combinations	
<b>EA-2/H   EA-3/H   EA-4/H</b>	
FUA-1800   FUA-2100	extraction fan
FM-15   FM-25   FM-35   FM-45	extension crane
ERC	extraction rail
PA-110/160   PA-220/160	stanchion

SLE-30	extension hose
<b>EA-2/S   EA-3/S   EA-4/S</b>	
MobilePro	mobile fume extractor
Scope of supply	
<ul style="list-style-type: none"> <li>• H types: hose tube arm (in parts) – Wall bracket</li> <li>• S types: hose tube arm (in parts)</li> </ul>	
Order information	
Number/package	1
Logistics data	
Harmonized Tariff Code	84219990

Remaining specifications: see table on next page

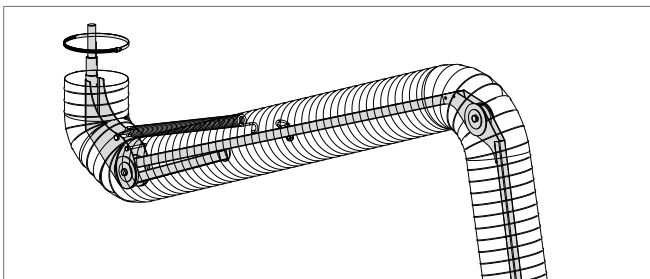
### PRESSURE DROP



## Remaining specifications

	EA-2/H	EA-2/S	EA-3/H	EA-3/S	EA-4/H	EA-4/S
<b>■ Physical dimensions and properties</b>						
Length	2 m (6½ ft)	2 m (6½ ft)	3 m (9¾ ft)	3 m (9¾ ft)	4 m (13 ft)	4 m (13 ft)
Weight (net)	18,5 kg (41 lbs.)	14,5 kg (32 lbs.)	20,5 kg (45 lbs.)	16,5 kg (36 lbs.)	24 kg (53 lbs.)	20 kg (44 lbs.)
<b>■ Order information</b>						
Art. no.	0000101141	0000111793	0000101143	0000101149	0000101146	0000101151
<b>■ Shipping data</b>						
Gross weight	19,5 kg (43 lbs.)	15,5 kg (34 lbs.)	22 kg (49 lbs.)	18 kg (40 lbs.)	26 kg (57 lbs.)	22 kg (48½ lbs.)
Packing dimensions	1200 x 300 x 400 mm (47 x 12 x 15¾ in.)	1600 x 300 x 500 mm (63 x 12 x 19¾ in.)		2100 x 300 x 500 mm (82¾ x 12 x 19¾ in.)		2270 x 300 x 500 mm (89½ x 12 x 19¾ in.)

## FEATURES & BENEFITS



Internal support mechanism

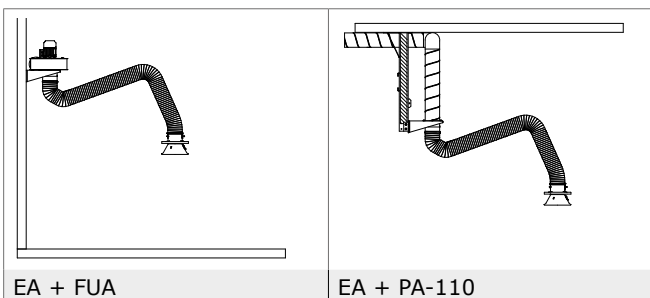


Sturdy, flame resistant hose



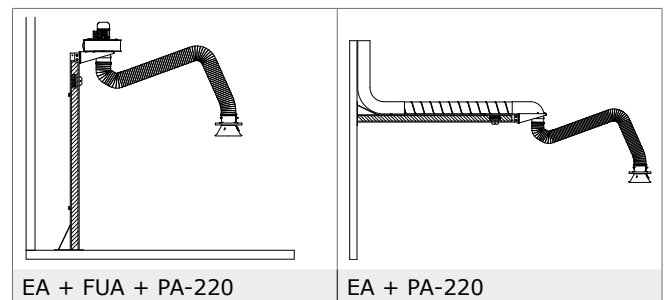
Detachable hood allows for attachment of an extension hose (SLE-30)

## MOUNTING EXAMPLES "H" TYPES



EA + FUA

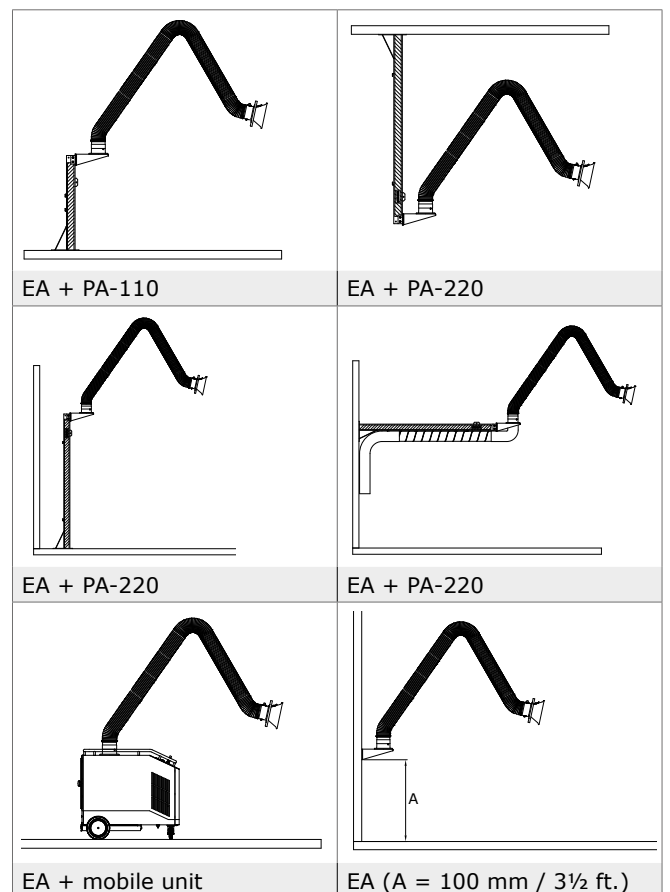
EA + PA-110



EA + FUA + PA-220

EA + PA-220

## MOUNTING EXAMPLES "S" TYPES



EA + PA-110

EA + PA-220

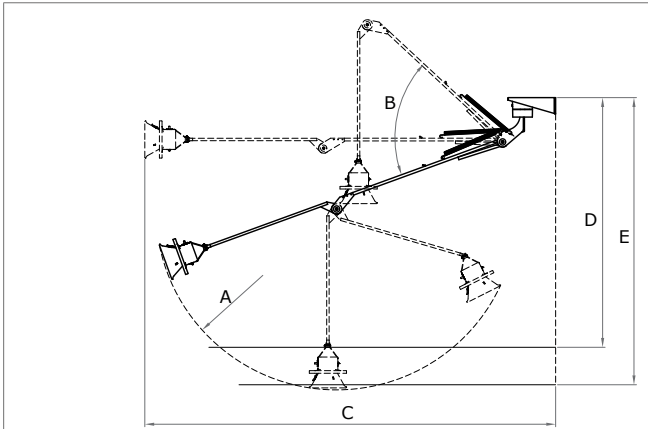
EA + PA-220

EA + PA-220

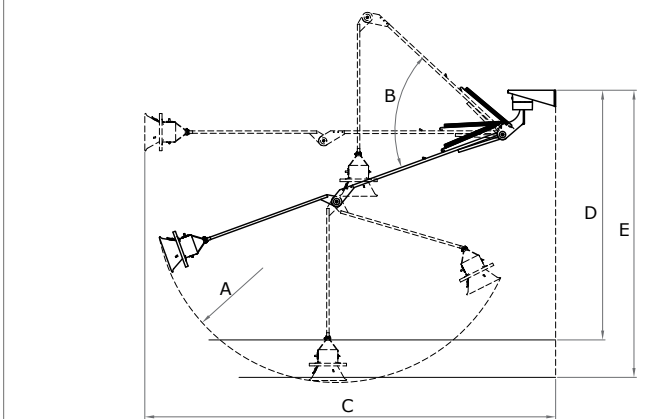
EA + mobile unit

EA (A = 100 mm / 3½ ft.)

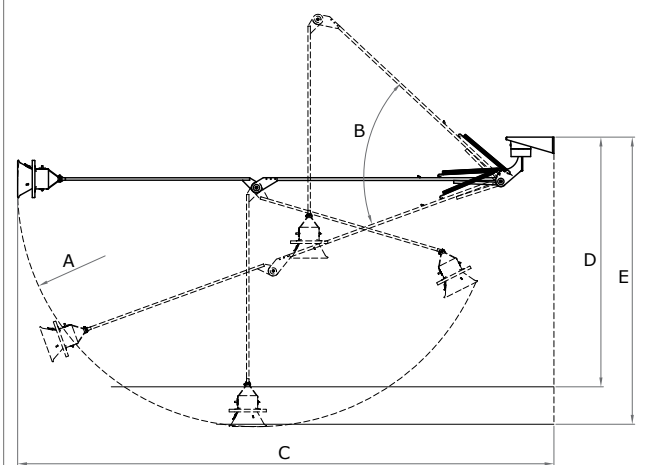
**WORKING REACH**



EconomyArm-2/H



EconomyArm-3/H



EconomyArm-4/H

	EA-2/H		EA-3/H		EA-4/H	
<b>A</b>	R962		R1449		R1914	
<b>B</b>	63°		63°		63°	
	mm	ft	mm	ft	mm	ft
<b>C</b>	2346	7½	3291	11	4296	14
<b>D</b>	2000	6½	2000	6½	2000	6½
<b>E</b>	2300	7½	2300	7½	2300	7½

**Application restrictions**

Do **not** use the product for the following applications or in the following circumstances: polishing applications in combination with grinding, welding or any other application that generate sparks (fibres from polishing or abrasive flap disks are highly flammable and pose a high risk of filter fires when exposed to sparks) | aluminium laser cutting | oil mist | heavy oil mist in welding fume | arc-air gouging | extraction of aggressive fumes and gases (e.g. from acids, from alkaline, from soldering paste containing lithium) | extraction of hot gases (more than 70°C/158°F continuously) | grinding aluminum and magnesium | flame spraying | extraction of cement, saw dust, wood dust etc. | sucking cigarettes, cigars, oiled tissues and other burning particles, objects and acids | explosive environments or explosive substances/gases



Product type

Article no.

Product category

Version

**Economy Arm**

refer to Order information

extraction arms

120321/E

Always check the latest version on [www.plymovent.com](http://www.plymovent.com)