

MOBILEGO

MOBILE FILTER UNIT WITH HOSE TUBE ARM

The MobileGo is a mobile welding fume filter with built-in fan and a hose tube arm (EconomyArm). It contains a disposable filter package.

Thanks to the four transport wheels (two of which are swivel casters with brake), the MobileGo is suitable for use in relatively small facilities or near sources of pollution without a fixed location.

The MobileGo has been designed for occasional welding activities (approx. 1 coil of solid wire or 7,5 kg/16.5 lbs of electrodes per month) and TIG welding.



APPLICATIONS

The MobileGo is intended to be used for the following applications:

- MIG-MAG/GMAW welding
- TIG welding
- FCAW welding
- stick/MMAW welding
- grinding
- polishing
- finishing



SPECIFICATIONS

Physical dimensions and properties

Material (housing):	electro-zinc coated steel (according to DIN EN 10152)
• steel grade	• DC01+ZE
• steel grade no.	• 1.0330
Colour	yellow RAL 1004 grey RAL 7011
Weight (net), excl. arm	84 kg (185 lbs)
Mains cord:	
• type	• 3G1.5
• length	• 6 m (20 ft)

Extraction arm

Type	EconomyArm (EA)
Material	hose tube
Length:	
• EA-2	• 2 m (6.6 ft)
• EA-3	• 3 m (9.8 ft)
Weight:	
• EA-2	• 11 kg (24.3 lbs)
• EA-3	• 13 kg (28.7 lbs)

Filters

Pre filter cassette:	
• material	• polyester
• filter surface	• 1 m ² (10.8 ft ²)
• efficiency	• G2 according to EN 779
• washable	• no
HEPA filter cassette:	
• material	• glass fibre
• filter surface	• 15 m ² (161 ft ²)
• efficiency	• HEPA E12 according to EN 1822:2009
• washable	• no

Welding fume class

W3	according to ISO 15012-1:2013
----	-------------------------------

Performance

Fan type	radial
Extraction capacity (incl. extraction arm)	max. 850 m ³ /h (500 CFM)
Fan speed	2800 rpm
Noise level (according to ISO 3746)	67 dB(A)

Electrical data

Power consumption	1,1 kW (1.5 HP)
Available connection voltages	• 115V/1ph/50Hz (115) • 115V/1ph/60Hz (116) • 230V/1ph/50Hz (215)
Motor design	IEC
Energy efficiency	<i>n.a. for single phase motors</i>
Plug:	Type:
• 115V/1ph/50Hz	• none
• 115V/1ph/60Hz	• none
• 230V/1ph/50Hz	• F

Ambient and process conditions

Process temperature:	
• min.	• 5°C (41°F)
• nom.	• 20°C (68°F)
• max.	• 70°C (158°F)
Max. relative humidity	90%
Suitable for outdoor use	no
Storage conditions	• 5-45°C (41-113°F) • relative humidity max. 80%

Scope of supply

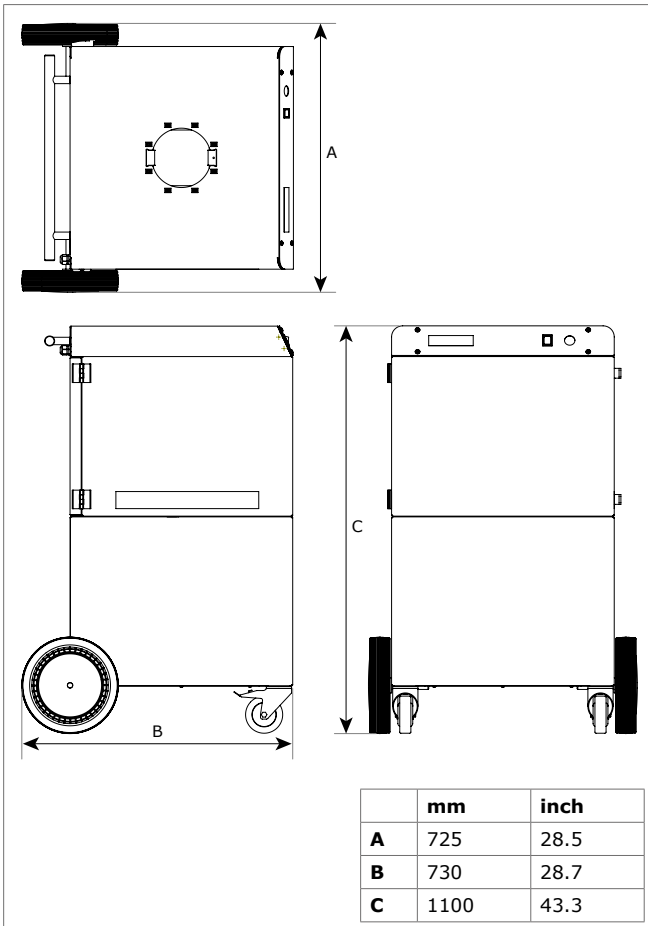
Mobile filter unit – Extraction arm (pre-assembled; excl. hose tube) – Hose tube – Hose clamp (2) – Rotating flange – Arm swivel ring, incl. rubber collar – Extraction hood – Hood collar with safety mesh – Mounting material

Order information

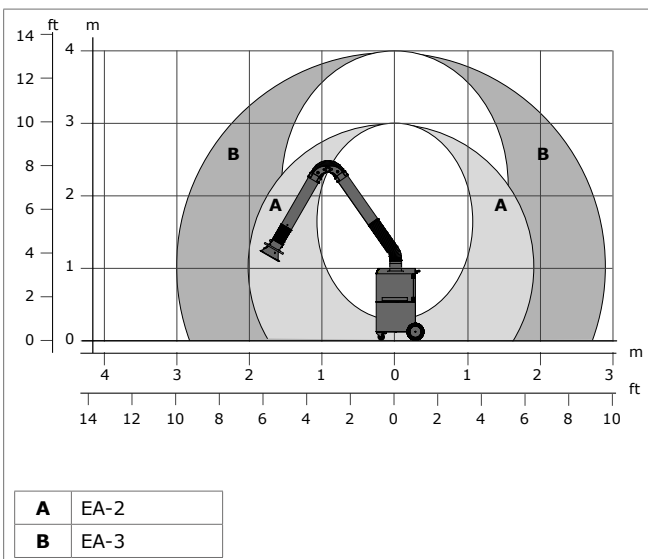
Article no.:	Type:
• 0000111450	• MobileGo/2m (115)
• 0000111451	• MobileGo/2m (116)
• 0000111449	• MobileGo/2m (215)
• 0000111471	• MobileGo/3m (115)
• 0000111472	• MobileGo/3m (116)
• 0000111470	• MobileGo/3m (215)
•	•

Number/package	1
Shipping data	
Gross weight (incl. pallet)	
Packing dimensions (incl. pallet)	
Max. number/pallet	2
Harmonized Tariff Code	8421.39.2090

DIMENSIONS



WORKING RANGE



FEATURES & BENEFITS



Compact design



Easy control | Service indicator monitors the airflow

APPROVALS/CERTIFICATES

	Directive 2011/65/EC (RoHS) valid as of 8 June 2011

Application restrictions

Do **not** use the product for the following applications or in the following circumstances: polishing applications in combination with grinding, welding or any other application that generate sparks (fibres from polishing or abrasive flap disks are highly flammable and pose a high risk of filter fires when exposed to sparks) | aluminium laser cutting | oil mist | heavy oil mist in welding fume | arc-air gouging | extraction of aggressive fumes and gases (e.g. from acids, from alkaline, from soldering paste containing lithium) | extraction of hot gases (more than 70°C/158°F continuously) | grinding aluminum and magnesium | flame spraying | extraction of cement, saw dust, wood dust etc. | sucking cigarettes, cigars, oiled tissues and other burning particles, objects and acids | explosive environments or explosive substances/gases

Product type

MobileGo

Article no.

refer to Order information

Product category

mobile filter units

Version

060117/A

Always check the latest version on www.plymovent.com