

SAS-315/400/500/630 ELBOW 90°

SILENCER

Curved duct silencer to be mounted on the outlet of a central fan (with or without sound absorbing box). It contains connections with rubber sealing type KEN-LOK.



SPECIFICATIONS

■ Physical dimensions and properties	
Material	zinc-plated steel
Isolation material	rock wool
■ Scope of supply	
Silencer - Duct connector with KEN-LOK sealing (2)	
■ Order information	
Number/package	1
■ Shipping date	
Harmonized Tariff Code	8421.9900.99
Country of origin	the Netherlands

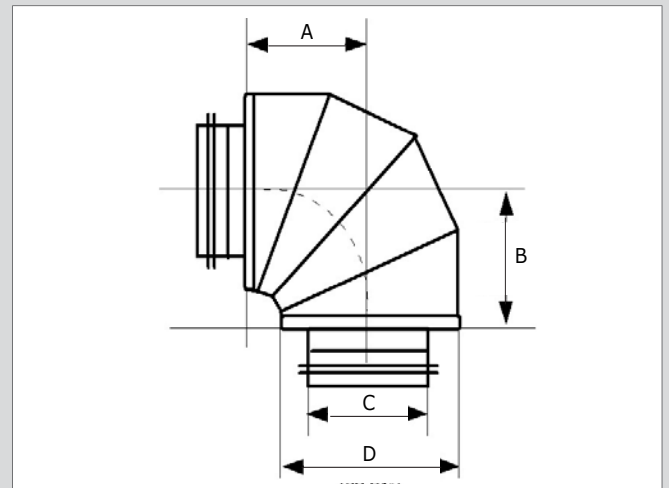


Table 1: Remaining specifications

	SAS-315 elbow 90°	SAS-400 elbow 90°	SAS-500 elbow 90°	SAS-630 elbow 90°
Inner diameter (C)	Ø 315 mm (12.4 in.)	Ø 400 mm (15.7 in.)	Ø 500 mm (19.7 in.)	Ø 630 mm (24.8 in.)
Outer diameter (D)	Ø 500 mm (19.7 in.)	Ø 600 mm (23.6 in.)	Ø 735 mm (28.9 in.)	Ø 880 mm (34.6 in.)
Radius (A+B)	75 mm	420 mm	510 mm (19.1 in.)	610 mm (24.0 in.)
Weight (net)	16 kg (35 lbs)	25 kg (55 lbs)	45 kg (99 lbs)	60 kg (132 lbs)
Noise reduction on airflow for sound frequency:				
• 125 Hz	• 4 dB(A)	• 5 dB(A)	• 5 dB(A)	• 6 dB(A)
• 250 Hz	• 11 dB(A)	• 9 dB(A)	• 13 dB(A)	• 14 dB(A)
• 500 Hz	• 15 dB(A)	• 14 dB(A)	• 19 dB(A)	• 17 dB(A)
• 1000 Hz	• 18 dB(A)	• 14 dB(A)	• 14 dB(A)	• 13 dB(A)
• 2000 Hz	• 17 dB(A)	• 15 dB(A)	• 13 dB(A)	• 12 dB(A)
• 4000 Hz	• 15 dB(A)	• 14 dB(A)	• 12 dB(A)	• 12 dB(A)
Option: reducer from metric to imperial	RP 315/12 (Ø 315 mm - 12 inch)	RP 400/16 (Ø 400 mm - 16 inch)	RP 500/20 (Ø 500 mm - 20 inch)	RP 630/24 (Ø 630 mm - 24 inch)
Product combinations	FAN-55/80	SIF-700	SIF-900/1200	SIF-1500/2000
Article no.	0017012050	0017016050	0017013050	0017014050
Weight (gross)			60 kg (132 lbs)	76 kg (168 lbs)
Packing dimensions			1000 x 1200 x 1200 mm (39.4 x 47.2 x 47.2 in.)	1000 x 1200 x 1350 mm (39.4 x 47.2 x 53.1 in.)

Product type	SAS-315/400/500/630 elbow 90°
Article no.	Refer to Table 1
Product category	options and accessories
Version	070611/D

Always check the latest version on www.plymovent.com.