

TRI-ARC® FOUNDRY GOUGING TORCHES

FEATURES & BENEFITS

Three torches in one

- designed for foundry applications, defect removal, general purpose applications, and padwashing by just changing head assemblies

High impact, heat resistant insulators

- provides protection for the torch metal parts

Forged body

- provides cooler operation, improved air flow and greater current ratings

Powerful insulated coil spring and high strength upper arm

- insures positive electrode contact at all angles

Better balance

- streamline design and high strength fluted handles reduce operator fatigue

Easy cable installation

- no need to disassemble the torch, just slide the sleeve from the rear of the handle



Torch Model	Electrode Size (In./mm)	Air Requirements				Typical Application
		P.S.I.	KG/CM ²	CFM	L/Min.	
Tri-Arc®	5/16" - 1" Round (8.0mm - 25.4mm)	80	5.6	33	934	Foundry - General foundry work, pad washing, defect, nails, sprue and interior work

APPLICATION

Defect Removal Heads

- for removal of defects and fin removal application
- accepts electrode diameters – 3/8" (9.5mm) through 3/4" (19.05mm)

General Purpose Cleaning Heads

- for removal of defects, fin removal, padwashing, and piercing applications
- four head assemblies to accept electrode diameters 1/2" (12.7mm) through 1" (25.4mm)

Padwashing Heads

- for padwashing applications only
- heads are fixed on a 35 degree work angle (use degree symbol)
- four head assemblies to accept electrode diameters 1/2" (12.7mm) through 3/4" (19.5mm)



TRI-ARC® FOUNDRY GOUGING TORCHES



Heavy-duty insulators, lever and handle that are all made from fiberglass reinforced thermoset polyester molding compound to withstand the heat and be impact resistant.

Switchable head assemblies machined from copper alloy designed for foundry applications - DEFECT REMOVAL - GENERAL PURPOSE - PADWASHING.

Torch comes with or without an air valve/spool.

Rugged and durable cable assemblies offered for applications requiring 1600 to 2400 amps.

Air-cooled and water-cooled cable assemblies are available.

Spring rated at 163 lbs. per inch providing excellent clamping pressure on the CCDC electrodes.

Forged 2-piece braced copper alloy body machined to close tolerances on the valve seat and head seat.

Compressed air flows through the body and upper arm increasing the metal removal capabilities on this torch.

Manual Gouging Torches

TRI-ARC® FOUNDRY GOUGING TORCHES



TRI-ARC® FOUNDRY GOUGING TORCHES

Defect Removal Heads		Padwashing Heads		General Purpose Cleaning Heads	
No Heads in Torch		1/2" (12.7mm) Electrodes		1/2" (12.7mm) Electrodes	
Torch Only	02-991-411	Torch Only	02-991-413	Torch Only	02-991-416
Torch & 7ft. (2.1M) Cable	62-991-417	Torch & 7ft. (2.1M) Cable	62-991-419	Torch & 7ft. (2.1M) Cable	62-991-422
		Replacement Heads	94-378-286	Replacement Heads	94-378-267
		5/8" (15.9mm) Electrodes		5/8" (15.9mm) Electrodes	
		Torch Only	02-991-414	Torch Only	02-991-417
		Torch & 7ft. (2.1M) Cable	62-991-420	Torch & 7ft. (2.1M) Cable	62-991-423
		Replacement Heads	94-378-289	Replacement Heads	94-378-270
5/16" (7.9mm) 3/4" (19.5mm) Electrodes		3/4" (19.5mm) Electrodes		3/4" (19.5mm) Electrodes	
Torch Only	02-991-425	Torch Only	02-991-415	Torch Only	02-991-418
Torch & 7ft. (2.1M) Cable	62-991-435	Torch & 7ft. (2.1M) Cable	62-991-421	Torch & 7ft. (2.1M) Cable	62-991-424
Replacement Heads	94-378-298	Replacement Heads	94-378-283	Replacement Heads	94-378-273
				1" (25.4mm) Electrodes	
				Torch Only	02-991-424
				Replacement Heads	94-378-343
No Heads In Torch - No Valve				5/8" (15.9mm) Electrodes	
Torch Only	02-991-426			Torch Only	02-991-428
				3/4" (19.5mm) Electrodes	
				Torch Only	02-991-429

Note: The cable assembly that comes standard on the assemblies is Part No. 74-143-607, 7ft. (2.1M) long and rated for 1600 amperes maximum.

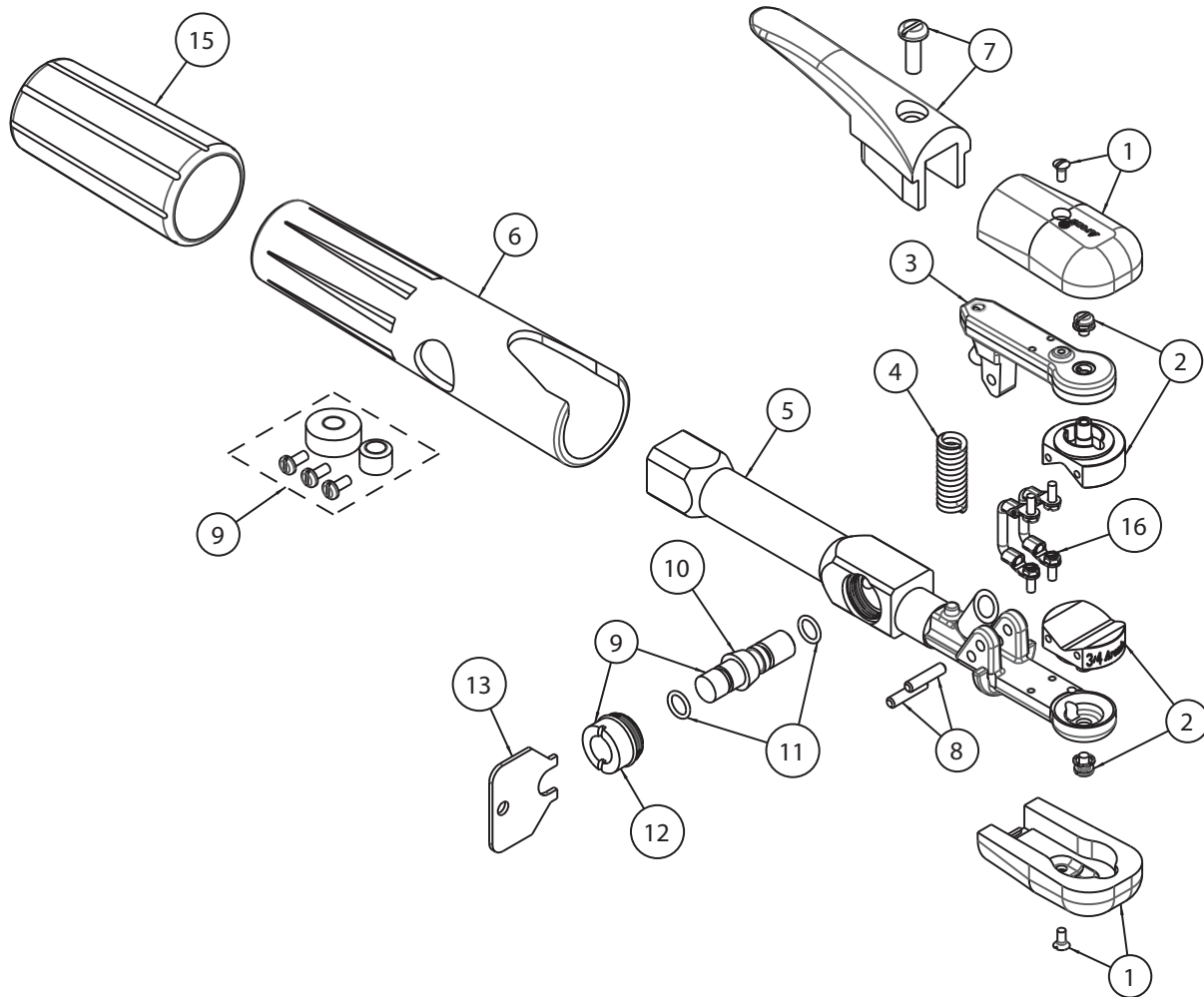
SWIVEL CABLE ASSEMBLY OPTIONS

SWIVEL CABLE ASSEMBLIES

Description	7ft. (2.1M)	10ft. (3M)
Std. Duty - 340° Swivel Cable Assembly	74-143-607	74-143-610
E-H-D 340° Swivel Cable Assembly	74-161-907	
Water-Cooled Cable Assembly - Non-Swivel	74-085-207	74-085-210



TRI-ARC TORCH REPLACEMENT PARTS

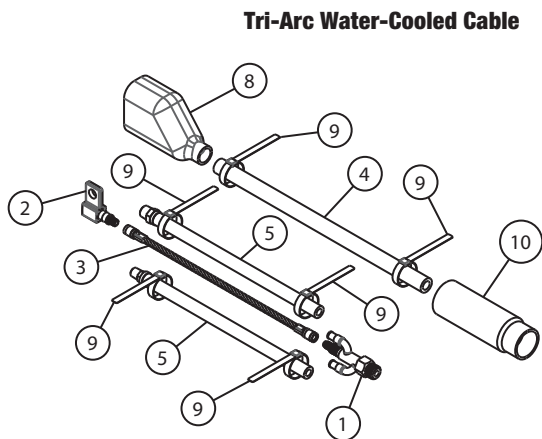
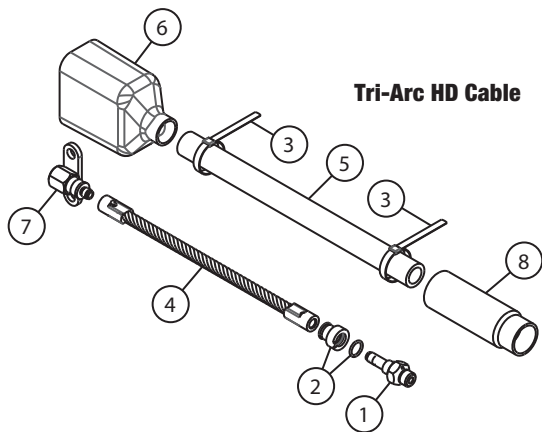
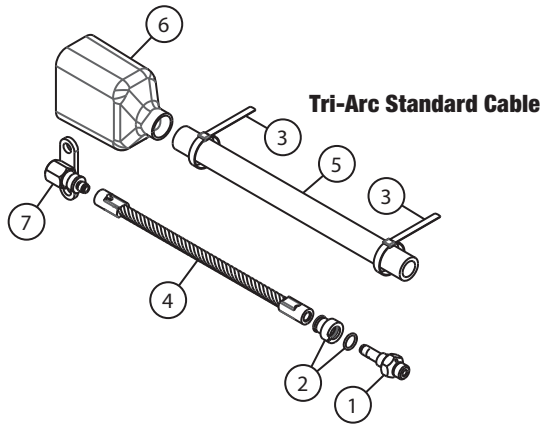


TORCH REPLACEMENT PARTS LIST		
Item	Description	Part No.
	Torch Only	02-991-411
1	Insulators & Screws	94-433-118
2	Head (Upper/Lower) & Screws	
	Defect Removal	94-378-298
	General Purpose – 1/2" (12.7mm)	94-378-267
	General Purpose – 5/8" (15.9mm)	94-378-270
	General Purpose – 3/4" (19.5mm)	94-378-273
	General Purpose – 1" (25.4mm)	94-378-344
	Padwashing – 1/2" (12.7mm)	94-378-286
	Padwashing – 5/8" (15.9mm)	94-378-289
	Padwashing – 3/4" (19.5mm)	94-378-283
3	Upper Arm	94-048-110
4	Spring	94-800-088

TORCH REPLACEMENT PARTS LIST		
Item	Description	Part No.
5	Torch Body	94-103-221
	Torch Body without Valve	94-103-237
6	Handle	94-370-079
7	Lever & Screw	94-476-034
8	Hinge Pin	94-632-063
9	Valve & Bonnet	94-104-023
	No Valve Button Kit	94-123-017
10	Spool & O-Rings	94-801-021
11	O-Ring	94-710-036
12	Valve Bonnet	94-104-012
13	Bonnet Wrench	94-960-001
15	Insulating Sleeve	94-784-045
16	Jumper (2 Required)	96-458-018

Manual Gouging Torches

TRI-ARC SWIVEL CABLE REPLACEMENT PARTS



CABLE ASSEMBLY REPLACEMENT PARTS LIST

340° Concentric Cable Assembly - Standard

Item	Description	Part No.
	7ft. (2.1M) Cable	74-143-607
	10ft. (3M) Cable	74-143-610
1	Male Connector	94-170-169
2	Swivel Sleeve	94-784-050
3	Clamp (2 Required)	98-167-010
4	7ft. (2.1M) Cable Conductor	96-130-063
	10ft. (3M) Cable Conductor	96-130-126
5	7ft. (2.1M) Cable Hose Cover	94-171-006
	10ft. (3M) Cable Hose Cover	94-171-140
6	Insulating Boot	94-105-007
7	Female Connector	94-170-095

CABLE ASSEMBLY REPLACEMENT PARTS LIST

Extra Heavy-Duty Cable Assembly

Item	Description	Part No.
	7ft. (2.1M) Cable Assembly	74-161-907
1	Male Connector	94-170-176
2	Swivel Sleeve	94-784-078
3	Clamp (2 Required)	98-167-012
4	7ft. (2.1M) Cable Conductor Assembly	96-130-286
5	7ft. (2.1M) Cable Hose Cover	94-171-284
6	Insulating Boot	94-105-028
7	Female Connector	94-170-174
8	Insulating Sleeve	94-105-029

CABLE ASSEMBLY REPLACEMENT PARTS LIST

Water-Cooled Cable Assembly

Item	Description	Part No.
	7ft. (2.1M) Cable Assembly	74-085-207
	10ft. (3M) Cable Assembly	74-085-210
1	Male Connector	94-170-171
2	Female Connector	94-170-150
3	7ft. (2.1M) Conductor	96-130-309
	10ft. (3M) Conductor	96-130-310
4	7ft. (2.1M) Cable Cover	94-171-273
	10ft. (3M) Cable Cover	94-171-274
5	7ft. (2.1M) Low Pressure Hose	94-171-298
	10ft. (3M) Low Pressure Hose	94-171-299
8	Insulating Boot	94-105-014
9	Clamp (6 Required)	98-167-010
10	Insulating Sleeve	94-105-029