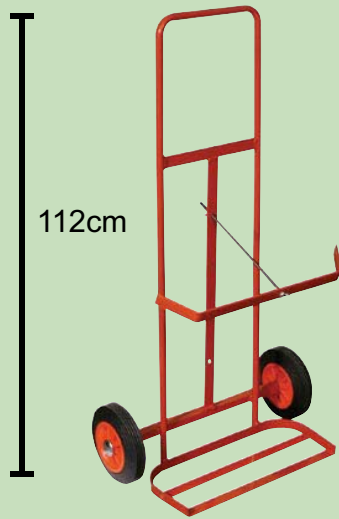


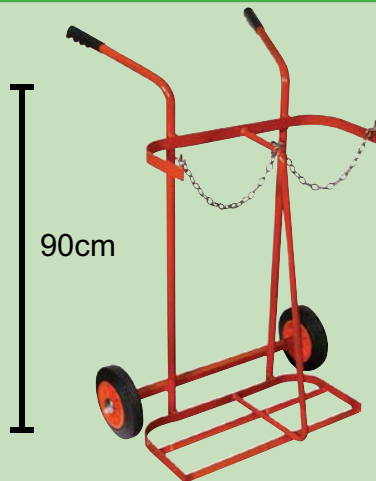
Midi Oxygen-Acetylene



Specifications	
Capacity	2 x Cylinders
Height	112cm
Base Size	Width 46cm (Split 22cm - 22cm) Depth 22cm
Wheel Type & Size	20cm - Solid Rubber
Cylinder Restraint	Solid Bar, Wing Nut Adjustable
Constuction	Round Powder Coated Tube
Nett Weight	9.5Kg

Code	Description	Pack
040737	Midi Oxygen-Acetylene	EA

Twin Oxygen-Acetylene



Specifications	
Capacity	2 x Cylinders
Height	90cm
Base Size	Width 57cm (Split 30cm - 24cm) Depth 26cm
Wheel Type & Size	20cm - Solid Rubber
Cylinder Restraint	Adjustable Chain
Constuction	Round Powder Coated Tube
Net Weight	10Kg

Code	Description	Pack
040741	Twin Oxygen-Acetylene	EA

Twin Three Wheel Oxygen-Acetylene



Specifications	
Capacity	2 x Cylinders
Height	145cm
Base Size	Width 57cm (Split 30cm - 24cm) Depth 26cm
Wheel Type & Size	20cm - Solid Rubber 15cm - Rear Steering Castor
Cylinder Restraint	Adjustable Chain
Constuction	Square Powder Coated Tube
Net Weight	18Kg

Code	Description	Pack
040749	Twin Three Wheel Oxygen-Acetylene	EA