

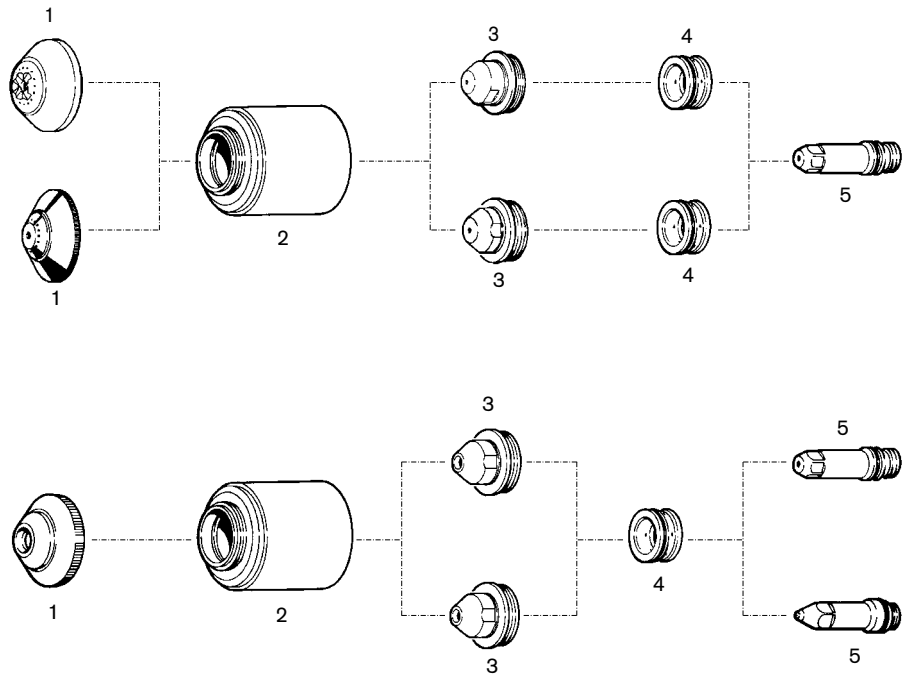
Hypertherm®

MAX200 Hand torch parts

PAC200 T/E consumables



MAX200



PAC200T Torch



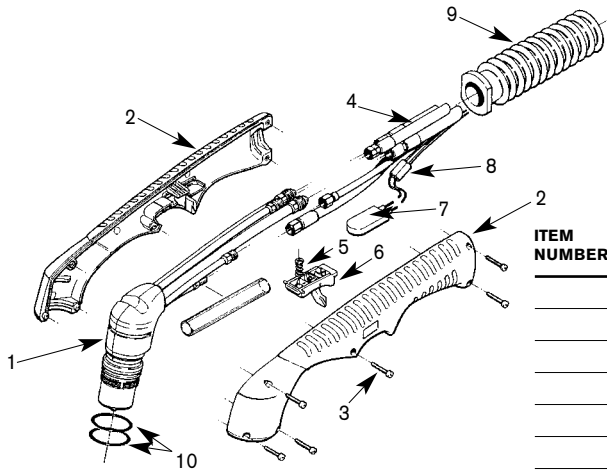
PAC200E Torch
(Gouging)

	Current	Plasma Gas	Item Number	Shield	Retaining Cap	Nozzle**	Swirl Ring	Electrode**
				1	2	3	4	5
Cutting Shielded	200-Amp	Air		020918	020915	020608	020607	220021
		Oxygen		020918	020915	020605	020604	220021
		Nitrogen		020918	020915	020608	020607	020415
		H35 (Aluminum Only)		020918	020915	020608	020607	020415
		H35 (Stainless Only)		020920	020915	020608	020607	020415
Cutting Unshielded	100-Amp	Air		020919	020915	020611	020607	120547
		Oxygen		020919	020915	020616	020617	120547
		H35 (Stainless/Aluminum Only)		020919	020915	020611	020607	020415
Cutting Unshielded	40-Amp	Air		020917*	020915	020689	020613	220021
Gouging	200-Amp	Air		020891	020882	020615	020607	220021
		H35		020891	020882	020934	020607	020933

* Deflector used instead of shield for 40 Amp cutting.

** Sold in quantities of 5.

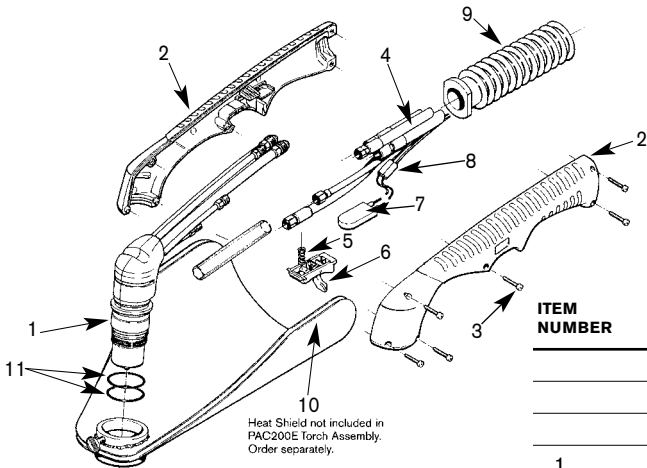
MAX200 PAC200T hand cutting torch assembly



ITEM NUMBER	PART NUMBER	DESCRIPTION
	073189^	PAC200T 90° Hand Cutting Torch Assembly, 25' / 7.6 m Leads
	073190^	PAC200T 90° Hand Cutting Torch Assembly, (no leads)
	029865	Leads, Torch-to-Power Supply, 25' / 7.6 m
	028715	Leads Set, Torch-to-Power Supply, 50' / 15.2 m
	028716	Leads Set, Torch-to-Power Supply, 75' / 22.9 m
	028717	Leads Set, Torch-to-Power Supply, 100' / 30.5 m
	028718	Leads Set, Torch-to-Power Supply, 125' / 38.1 m
	028719	Leads Set, Torch-to-Power Supply, 150' / 45.8 m
1	120045	Torch Main Body, PAC200T 90°
2	001412	Handle, PAC200T 90° (both halves included)
3	075365	Screw, #6 x 3/4", Phillips Head, Pan (six required)
4	046065	Insul. Tube, 9/16 ID x.03 WL, Teflon (included with lead sets)
5	027254	Trigger Spring, PAC200T/E
6	002244	Safety Trigger, PAC200T/E Torch
7	005094	Push Button Switch (included with lead sets listed above)
8	074069	Splice (two required)
9	001217	Boot
10	044027	O-Ring, Buna (two required)

^ Assembly includes consumables

MAX200 PAC200E hand gouging torch assembly



ITEM NUMBER	PART NUMBER	DESCRIPTION
	073111^	PAC200E 65° Hand Gouging Torch Assembly, 25' / 7.6 m leads
	073188^	PAC200E Gouging Torch Assembly, no leads
	-	See chart above for lead set part numbers and descriptions
1	020908	Torch Main Body, PAC200E 65°
2	001440	Handle, PAC200E 65° (both halves included)
3	075365	Screw, #6 X 3/4", Phillips Head, Pan (six required)
4	046065	Insulating Tube, 9/16 ID X.03 WL, Teflon
5	027254	Trigger Spring, PAC200T/E
6	002244	Safety Trigger, PAC200T/E
7	005094	Push Button Switch (included with lead sets listed on above chart)
8	074069	Splice (two required)
9	001217	Boot
10	020881	Hand Heat Shield, PAC200E Gouging Torch
11	044027	O-Ring, Buna (two required)

^ Assembly includes consumables