



3M™ Versaflo™ V-500 Regulator

Care and Maintenance



To maintain protection levels, optimise the effective lifetime of the system and avoid the additional cost of replacement, it is extremely important to carry out regular checks and maintenance on Powered and Supplied Air Respirators.

Before Use

- Ensure Couplings are securely fitted
- Inspect Breathing Tube – ensure it is free from splits or holes. Replace if necessary
- Inspect Belt – ensure it is free from splits or tears and the buckle is undamaged
- Replace Filter if odour is detected during use

- Disinfect with 3M™ 105 Wipes
- Store in a dry, clean area / locker away from direct sunlight, high temperatures and solvents

Ordering Consumables, Repair Parts and Accessories

To request a quote or place an order for these items, please contact your 3M Approved Distributor.

Further Information and Advice

If you require additional guidance on the Care and Maintenance of your 3M Powered and Supplied Air Equipment, please contact the Helpline or your local 3M representative.

Monthly

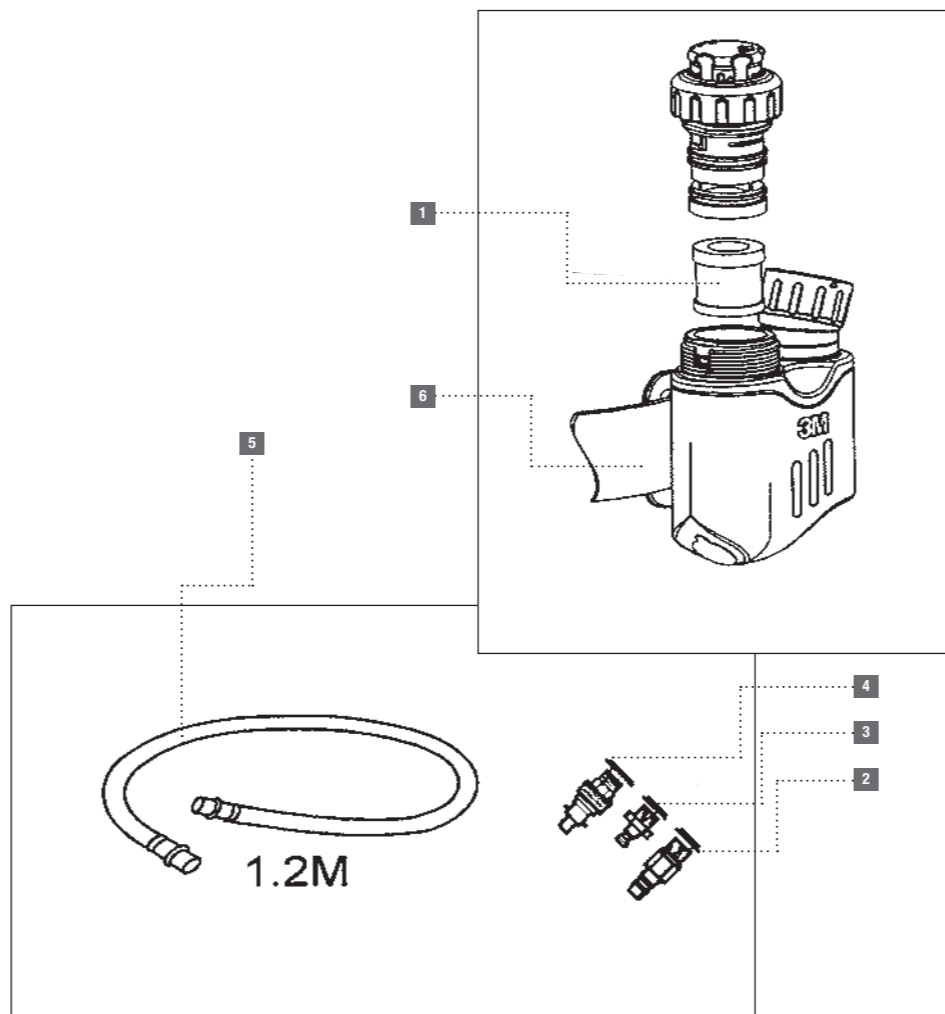
- Carry out all the 'Before Use' inspections and create record of this monthly check for the regulator

Six Monthly

- Change Filter

After Use

- Clean casing with cloth dampened with a mild solution of water and liquid household soap



		3M Part Number
	V-500 Regulator with Belt	023-05-50P
1	Replacement Filter pack with 'O'-rings	023-05-51P5
2	Coupling for belt unit – CEJN '342' – plug, 1/4" BSP male	530-12-53P3
3	Coupling for belt unit – Rectus '25' – plug, 1/4" BSP male	530-12-52P3
4	Coupling for belt unit – Broomwade 'Instantair' – plug, 1/4" BSP male	741019-00P3
5	Spray gun hose kit	023-05-45P3
6	Belt	301-00-62P5

3M Health & Safety Helpline
Monday - Friday 9 to 5

0870 60 800 60 UK
1 800 320 500 IRELAND

EAR PELTOR

Occupational Health & Environmental Safety Group

3M United Kingdom plc
3M Centre,
Cain Road, Bracknell
Berkshire RG12 8HT
Tel: 0870 60 800 60
www.3M.co.uk/ohes

3M Ireland Limited
The Iveagh Building
The Park
Carrickmines
Dublin 18
Tel: 1 800 320 500

3M is a trademark of 3M Company
Please recycle. Printed in UK.
© 3M 2010. All rights reserved.

REPLACE ALL DAMAGED PARTS IMMEDIATELY TO ENSURE CORRECT LEVELS OF PROTECTION

