

MFS

MOBILE WELDING FUME EXTRACTOR

The MFS is a mobile filter unit with integrated fan that provides extraction and filtration for use with a flexible extraction arm or extraction hose.

The MFS features an aluminum spark arrester and a round cellulose filter cartridge. This filter cartridge is provided with a precoat to extend the lifespan and the efficiency of the filter. The MFS is fitted with a *RoboClean* system for automatic sectionwise cleaning of the filter cartridge by (externally supplied) compressed air. The dust and dirt particles end up in the dust tray underneath the unit. Thanks to the four transport wheels (two of which are swivel casters), the MFS is extremely suitable to be used in relatively small facilities or near sources of pollution without a fixed location. Extraction arm/hose to be ordered separately.



APPLICATIONS

The MFS is intended to be used for the following applications:

- MIG-MAG/GMAW welding (annual use: >700 kg/1500 lbs)
- TIG welding
- FCAW welding (annual use: >700 kg/1500 lbs)
- stick/MMAW welding (annual use: >500 kg/1100 lbs)



Do **not** use the MFS for the following applications or in the following circumstances:

- arc-air gouging
- aluminium laser cutting
- oil mist
- heavy oil mist in welding fume
- extraction of aggressive fumes and gases (e.g. from acids, from alkaline, from soldering paste containing lithium)
- extraction of hot gases (more than 45°C/113°F continuously)
- grinding aluminum and magnesium
- flame spraying
- extraction of cement, saw dust, wood dust etc.
- sucking cigarettes, cigars, oiled tissues and other burning particles, objects and acids
- explosive environments or explosive substances/gases



SPECIFICATIONS

Physical dimensions and properties





Material housing	polypropylene
Colour:	
• Filter cover and control panel cover	• yellow RAL 1028
• Base	• grey RAL 7024
Weight (net)	105 kg (231 lbs)
Supply cable	6 m (20 ft) without plug

Filters


Material:	
• Pre filter	• aluminium
• DuraFilter FCC-30	• cellulose/polyester fibres + polyurethane + metal
Filter surface area:	
• Pre filter	• 0,14 m ² (1.5 ft ²)
• DuraFilter FCC-30	• 30 m ² (325 ft ²)

Treatment	SurfacePlus precoat on DuraFilter FCC-30
Efficiency:	
• Pre filter	• 65% < 80%
• DuraFilter FCC-30	• >99,9%
Filter class:	
• Pre filter	• G2 according to DIN EN 779
• DuraFilter FCC-30	• M according to NEN EN IEC 60335-2-69
RoboClean filter cleaning system	
Required compressed air quality	dry and oil-free according to ISO 8573-3 class 6
Required pressure	4-5 bar (1600-2000" WG)
Compressed air connection	quick connect coupling ¼ in.
Compressed air consumption	max. 60 nl/min. (depending on the degree of saturation of the filter)
Duration off-line cleaning cycle	approx. 1 hour
Performance	
Fan type	radial
Unrestricted airflow	2400 m ³ /h (1413 CFM)
Net extraction capacity	1250 m ³ /h (736 CFM)
Speed	2800 rpm
Noise level	69 dB(A) according to ISO 3746
Electrical data	
Power consumption	0,75 kW (1 HP)
Available connection voltages	115V/1~/50Hz; 230V/1~/50Hz; 230V/3~/50Hz; 400V/3~/50Hz; 230V/3~/60Hz
Insulation class	F
Protection class	IP 50
Ambient conditions	
Operating temperature:	
• min.	• 5°C (41°F)
• nom.	• 20°C (68°F)
• max.	• 45°C (113°F)
Max. relative humidity	80%

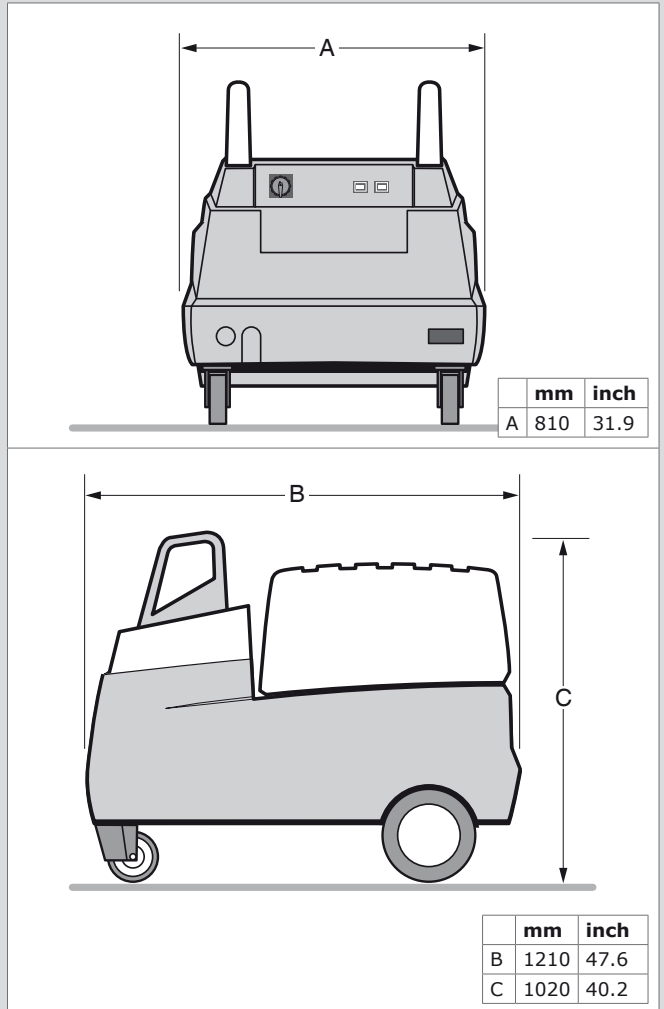
Outdoor use allowed	no
Storage conditions	<ul style="list-style-type: none"> • 5-45°C (41-113°F) • relative humidity max. 80%
■ Product combinations	
Flex-3/4, UltraFlex-3/4	extraction arm
SUS-5/203	extraction hose
■ Scope of supply	
Mobile unit - Hose 65 cm - Hardware	
■ Order information	
Article numbers:	<ul style="list-style-type: none"> • 7048300000 • 7042300000 • 7043300000 • 7045300000 • 7043320000
	<ul style="list-style-type: none"> • MFS 115V/1~/50Hz • MFS 230V/1~/50Hz • MFS 230V/3~/50Hz • MFS 400V/3~/50Hz • MFS 230V/3~/60Hz
Number/package	1
■ Shipping data	
Gross weight (incl. pallet)	135 kg (298 lbs)
Packing dimensions	120 x 80 x 120 cm (47.2 x 31.5 x 47.2 in.)
Max. number/pallet	1
Harmonized Tariff Code	8421.39.2090
Country of origin	the Netherlands

■ Approvals/certificates	
	
	certificate no. 98.3271.01 (issued March 23, 2000) EMC 89/336/EEC: certificate no. 83271-KRQ/ EMC 98-4666 (issued October 30, 1998)
	Directive 2011/65/EC (RoHS) valid as of 8 June 2011
	Keymark CEN/CENELEC certificate no. 98.3271.02 (issued March 23, 2000)
	certificate no. 4900025.02 (issued June 29, 2000)

FEATURES

RoboClean automatic filter cleaning system	
--	---

DIMENSIONS



Product type	MFS
Article no.	refer to order information
Product category	portable/mobile welding fume extractors
Version	080212/D

Always check the latest version on www.plymovent.com.