

# Pipe Jacks

**SUMNER**

Sumner leads the pack with a comprehensive line of jack stand products. Presented here are standard jack models. Head options are featured on the following pages and large vee jacks begin on page 6.



## Pack-Jack

- Special features:
- 2,000 lb (900 Kg) capacity
  - Folding legs
  - Convenient carrying handle
  - 1" square tube base construction
  - Light weight

Note: Pack-Jack available only with vee-head. Ball transfer options can be used on Pack-Jack.

## Pro Jack®

- Special features:
- Formed steel legs
  - 2,000 lb (900 Kg) capacity
  - Priced for all budgets
  - Strut tension plate for superior lateral support
  - Quick-action lock washer
  - Patented Fall Guard™



## Heavy Duty Jack Plus

- Special features:
- 3,500 lb (1580 Kg) capacity
  - Rib-supported Vee-Head prevents "pancaking"
  - Strut tension plate for superior lateral support
  - Built for heavy use & abuse
  - 1" square tube base construction
  - Quick-action lock washer
  - Patented Fall Guard™



## Heavy Duty Jack

- Special features:
- 2,500 lb (1135 Kg) capacity
  - Strut tension plate for superior lateral support
  - 1" square tube base construction
  - Built for heavy use & abuse
  - Quick-action lock washer
  - Patented Fall Guard™



## Fold-A-Jack®

- Special features:
- 2,500 lb (1130 Kg) capacity
  - Folds up for storage ease
  - 1" square tube base construction
  - Quick-action lock washer
  - Patented Fall Guard™



### Standard features on all Sumner Jacks:

- ✓ 1-1/2" (38 mm) Acme fine adjustment thread — the largest in the industry
- ✓ Large, convenient adjustment handle
- ✓ Set screw for double margin of safety
- ✓ Set screw can lock jack head to stand — no loose pieces
- ✓ Jack independently load tested for quality assurance
- ✓ CE rated
- ✓ Backed by over thirty-five years of jack stand manufacturing experience



**New Heavy Duty Jack feature!**  
Replacement legs for easy repair  
(p/n 780675-KD)



# Sumner offers a choice of 5 head styles for every application:



Model	Standard Vee-Head	Ball Transfer Head	Steel Wheel Head	Rubber Wheel Head	Bar Stock Head
Part Number (non-stainless steel)	780518	780518 & 780551	780514	780499	780519 (Hi) 780944 (Low)
Part Number (stainless steel)	780498	780518 & 780274	780517	not available	not available
Pro Jack & Fold-A Jack capacity	2,000 lb 900 kg	1,000 lb 450 kg	2,000 lb 900 kg	1,000 lb 450 kg	2,000 lb 900 kg
Heavy Duty Jack capacity	2,500 lb 1135 kg	1,000 lb 450 kg	2,000 lb 900 kg	1,000 lb 450 kg	2,000 lb 900 kg
pipe size	1/8 – 36" 3 – 900 mm	3/8 – 12" 10 – 300 mm	1 1/4 – 24" 30 – 600 mm	1 1/2 – 24" 40 – 600 mm	1/8 – 10" (Flat) 3 – 250 mm
application	general welding of pipe shapes, solids and rounds	rotation of pipe or tubing in all directions	welding of pipe and rounds	non-marring surface, roll welding of pipes and rounds	welding of flats and shapes

## Ball Transfers

**Standard Vee-Head Ball Transfer Set**  
 part number 780551 (non-stainless steel)  
 part number 780274 (stainless steel)  
 Ball Transfer attachments slide over the standard vee-head. Offset design accommodates 3/8–12" (10–300 mm) pipe sizes. 1,000 lb (450 Kg) capacity.



## Hold-Down Device

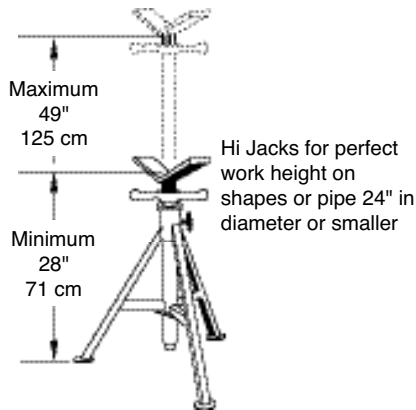


**Holds Pipe or Shape up to 12" Diameter!**

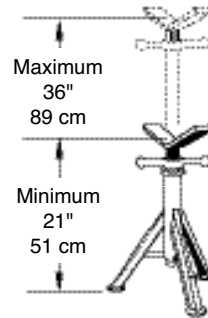
Part No.	Description	Weight	
		Lb.	Kg.
781050	ST-448 Hold-Down Device	6.5	2.9
781056	Chain Extension Kit (12" pipe increments)	3.5	1.6

Similar in operation to a chain vise for pipe, the **Hold-Down Device** uses high tensile strength chain to grip material in any Sumner vee-head jack. Ideal for fitting up flanges, fittings or valves, and a must when working with short lengths.

# Sumner's Jacks are available in heights and head styles to suit your welding needs



Hi Jacks for perfect work height on shapes or pipe 24" in diameter or smaller



Lo Heavy Duty Jacks for larger shapes or pipe over 24" in diameter

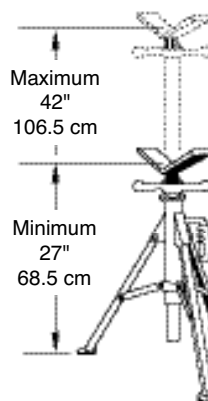
Hi Jacks (Heavy Duty)			
Part No.	Description	Weight	
		Lb.	Kg.
780375	ST-801 w/Vee-Head	23.0	10.4
780376	ST-802 w/Roller Head	26.0	11.8
780377	ST-803 w/Bar Stock Head	21.0	9.5
780378	ST-804 w/Stainless Steel Rollers	26.0	11.8
780379	ST-805 w/Stainless Steel Vee-Head	24.0	10.9
780380	ST-806 w/Ball Transfer Head	30.0	13.6
780381	ST-807 w/Rubber Wheels	25.0	11.3

Lo Jacks (Heavy Duty)			
Part No.	Description	Weight	
		Lb.	Kg.
780385	ST-901 w/Vee-Head	19.0	8.6
780386	ST-902 w/Roller Head	22.0	10.0
780387	ST-903 w/Bar Stock Head	18.0	8.2
780388	ST-904 w/Stainless Steel Rollers	22.0	10.0
780389	ST-905 w/Stainless Steel Vee-Head	20.0	9.1
780390	ST-906 w/Ball Transfer Head	26.0	11.8
780391	ST-907 w/Rubber Wheels	21.0	9.5

Hi Jacks (Pro Jack®)			
Part No.	Description	Weight	
		Lb.	Kg.
780471	ST-871 w/Vee-Head	22.0	10.0
780472	ST-872 w/Roller Head	25.0	11.3
780473	ST-873 w/Bar Stock Head	17.0	7.7
780474	ST-874 w/Stainless Steel Rollers	25.0	11.3
780475	ST-875 w/Stainless Steel Vee-Head	23.0	10.4
780476	ST-876 w/Ball Transfer Head	28.0	12.7
780477	ST-877 w/Rubber Wheels	24.0	10.9

Lo Jacks (Fold-a-Jack®)			
Part No.	Description	Weight	
		Lb.	Kg.
781310	ST-981 w/Vee-Head	17.0	7.7
781311	ST-982 w/Roller Head	20.0	9.1
781313	ST-984 w/Stainless Steel Rollers	20.0	9.1
781314	ST-985 w/Stainless Steel Vee-Head	18.0	8.1
781315	ST-986 w/Ball Transfer Head	24.0	10.9
781316	ST-987 w/Rubber Wheels	19.0	8.6

Hi Jacks (Fold-A-Jack®)			
Part No.	Description	Weight	
		Lb.	Kg.
781300	ST-881 w/Vee-Head	25.0	11.3
781301	ST-882 w/Roller Head	28.0	12.7
781302	ST-883 w/Bar Stock Head	23.0	10.4
781303	ST-884 w/Stainless Steel Rollers	28.0	12.7
781304	ST-885 w/Stainless Steel Vee-Head	26.0	11.8
781305	ST-886 w/Ball Transfer Head	32.0	14.5
781306	ST-887 w/Rubber Wheels	27.0	12.2



Pack-Jack's height range is convenient for work on shapes or pipe 24" in diameter or smaller

Heavy Duty Jack Plus			
Part No.	Description	Weight	
		Lb.	Kg.
780326	w/Ribbed Vee-Head	25.0	11.3

Pack-Jacks			
Part No.	Description	Weight	
		Lb.	Kg.
781100	w/Vee-Head	21.0	9.5