

CB

CONTROL BOX

The CB is a control box which supplies power to the in the extraction arm integrated Working Light (WL) and/or automatic start/stop device (AST), extraction fan and optional automatic damper. The CB arranges the extraction fan to switch on and off automatically. When the welding starts, the AST sends a signal to the CB. Subsequently, the extraction fan automatically switches on. When the welding stops, the fan automatically switches off. Depending on the specific circumstances and/or the user's wish, the initial delay and the run-out period of the fan can be adjusted.

The CB can also be used for connecting a stationary welding fume filter SFS.



SPECIFICATIONS

■ Physical dimensions and properties	
Material housing	self-extinguishing thermoplastic
Colour	grey RAL 7035
Fire retardancy	according to IEC 60695-2-1
Weight (net)	2,3 kg (5.1 lbs)
■ Electrical data	
Power consumption	50 W
Insulation class	IP 55
Input voltage	115-230-400V/1~/50-60Hz
Output voltage	24 VAC
Fuse	2A
■ Ambient conditions	
Operating temperature:	
• Min.	• 5°C (41°F)
• Nom.	• 20°C (68°F)
• Max.	• 45°C (113°F)
Max. relative humidity	80%
Outdoor use allowed	no
Storage conditions	• 5-45°C (41-113°F) • relative humidity max. 80%
■ Product combinations	
WL	working light
WL+AST	working light + automatic start/stop
NCW-11	connection wire
AD-200	automatic damper
NTR (type depends on fan)	thermal relay
FAN-14/28/42	extraction fan
■ Scope of supply	
Premounted and wired CB (transformer, relay, fuse, connection block) - User manual - Electric diagram	
■ Order information	
Article number	7900020300
Number/package	1

■ Shipping data

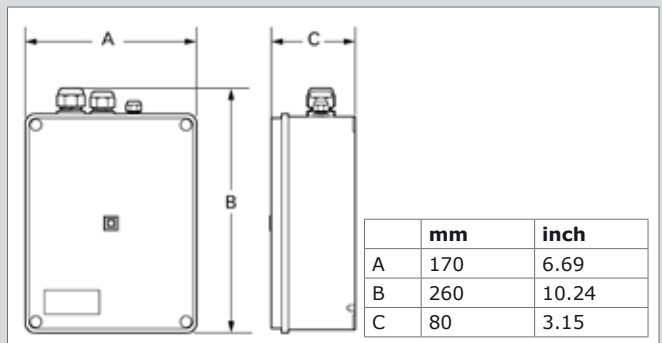
Gross weight	2,5 kg (5.5 lbs)
Packing dimensions	180 x 270 x 100 mm (7.1 x 10.6 x 3.9 in.)
Harmonized Tariff Code	8537.1099.99
Country of origin	the Netherlands

APPROVALS/CERTIFICATES



Directive 2011/65/EC (RoHS)
valid as of 8 June 2011

DIMENSIONS



Product type	CB
Article no.	7900020300
Product category	electrical components
Version	080212/B

Always check the latest version on www.plymovent.com.