

AD-160/200/250/315/400

AUTOMATIC DAMPER

The AD range consists of automatic dampers to be used in the following configurations:

- AD-200: between the extraction arm and the central ductwork in a multiple arm system with central fan;
- AD-250: in the extraction duct connected to a modular hood;
- AD-315: in the extraction duct connected to a modular hood or downdraft table
- AD-400: in the extraction duct connected to a modular hood.

When welding (or another process) starts, the automatic damper will be opened automatically to provide extraction. When no welding takes place, the valve closes. Easy installation in extraction duct due to Kenlock seals.



SPECIFICATIONS

■ Physical dimensions and properties	
Material tube	zinc-plated steel
Colour tube	natural
Seal circular blade	EPDM rubber
Dimensions motor	180 x 100 x 68 mm
■ Electrical data	
Drive torque	8 Nm
Running time	8 seconds
Power supply	AC/DC 24V
Frequency	50-60Hz
Power consumption:	
• running	• 7 W
• at end position	• 3,7 W
For wire sizing	13.0VA/3.4A@2ms
Control signals	2-point or 3-point
Position signal	potentiometer
Angle of rotation:	
• working range	• 90° (93° mech.)
• limiting	• 5° to 85° in 5° steps
Sound pressure level	45 dB(A)
■ Ambient conditions	
Operating temperature:	
• Min.	• 5°C
• Nom.	• 20°C
• Max.	• 45°C
Max. relative humidity	80%
Protection class	IP 54 (cable downwards)
Outdoor use allowed	no
■ Product combinations	
AD-200	WL+AST + CB or CB-WCS (working light with automatic start/stop connected to a control box)
• AD-250 • AD-315 • AD-400	• WCS + CB-WCS • WCS + CB-WCS/15 (welding cable sensor connected to a control box)

■ Where used	
• AD-200	semi and fully controlled multiple arm systems with a central fan
• AD-250	extraction systems with modular hood(s)
• AD-315	• extraction systems with modular hood(s) • downdraft table(s) type DraftMax Eco with welding cable sensor WCS
• AD-400	extraction systems with modular hood(s)
■ Scope of supply	
Automatic damper - Strain relief PG7 - Strain relief PG11	
■ Order information	
Article number	refer to Table 1
Number/package	1
■ Shipping data	
Harmonized Tariff Code	8481.3091.90
Country of origin	the Netherlands

APPROVALS/CERTIFICATES

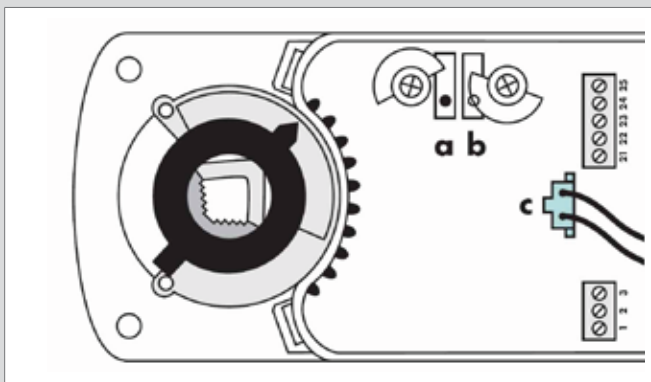


Remaining specifications: refer to Table 1

REMAINING SPECIFICATIONS

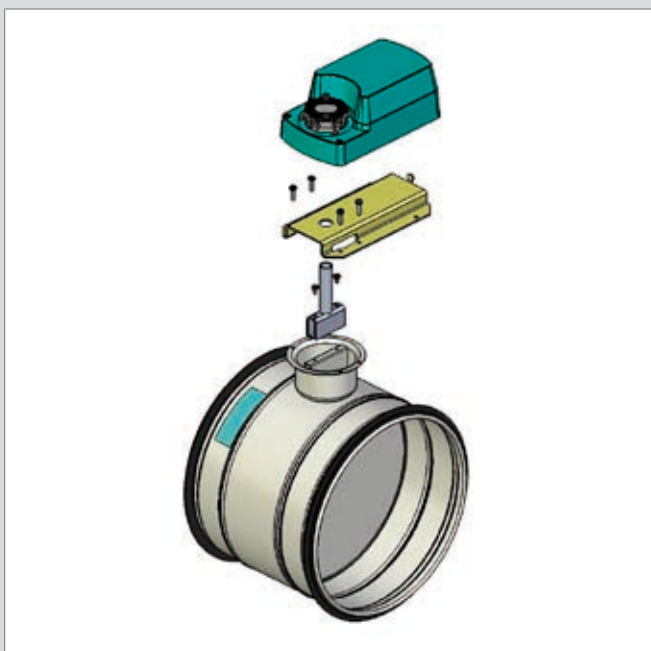
	AD-160	AD-200	AD-250	AD-315	AD-400
Article no.	7900112010	7900102010	7900104010	7900105010	7900106010
Tube length	167 mm	167 mm	210 mm	210 mm	240 mm
Effective length in duct	100 mm	100 mm	100 mm	100 mm	100 mm
Tube diameter	Ø 160 mm	Ø 200 mm	Ø 250 mm	Ø 315 mm	Ø 400 mm
Height (incl. motor)	308 mm	348 mm	398 mm	463 mm	548 mm
Weight (net)	2,3 kg	2,5 kg	3,4 kg	3,8 kg	5 kg
Weight (gross)	2,8 kg	3 kg	4,1 kg	4,7 kg	6 kg
Packing dimensions	235 x 320 x 325 mm	365 x 225 x 240 mm	380 x 305 x 285 mm	410 x 350 x 350 mm	670 x 410 x 260 mm

CHANGING THE DIRECTION OF ROTATION

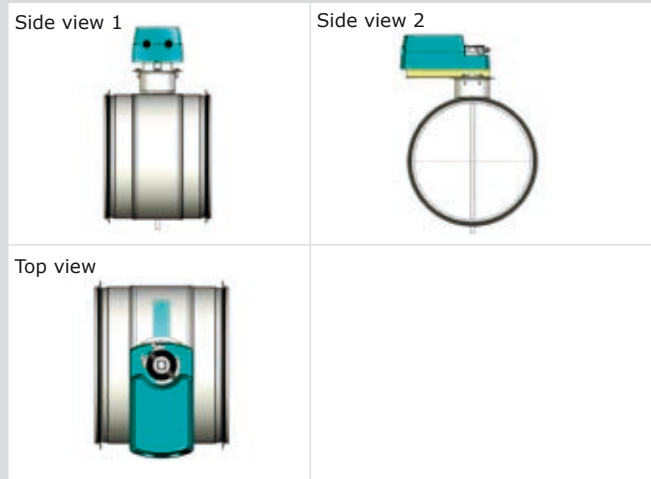


The direction of rotation can be changed by reversing plug C.

COMPOSITION



VIEWS



Shown: AD-250

Product type	AD-160/200/250/315/400
Article no.	refer to Table 1
Product category	options and accessories
Version	030910/D

Always check the latest version on www.plymovent.com.