

AD-6/8/10/12/16

AUTOMATIC DAMPER

The AD range consists of automatic dampers to be used in the following configurations:

- AD 8: between the extraction arm and the central ductwork in a multiple arm system with central fan;
- AD 10: in the extraction duct connected to a modular hood;
- AD 12: in the extraction duct connected to a modular hood or downdraft table
- AD 16: in the extraction duct connected to a modular hood.

When welding (or another process) starts, the automatic damper will be opened automatically to provide extraction. When no welding takes place, the valve closes. Easy installation in extraction duct due to Kenlock seals.



SPECIFICATIONS

■ Physical dimensions and properties	
Material tube	zinc-plated steel
Colour tube	natural
Seal circular blade	EPDM rubber
Dimensions motor	180 x 100 x 68 mm (7.1 x 3.9 x 2.7 in.)
■ Electrical data	
Drive torque	8 Nm
Running time	8 seconds
Power supply	AC/DC 24V
Frequency	50-60Hz
Power consumption:	
• running	• 7 W
• at end position	• 3,7 W
For wire sizing	13.0VA/3.4A@2ms
Control signals	2-point or 3-point
Position signal	potentiometer
Angle of rotation:	
• working range	• 90° (93° mech.)
• limiting	• 5° to 85° in 5° steps
Sound pressure level	45 dB(A)
■ Ambient conditions	
Operating temperature:	
• Min.	• 5°C (41°F)
• Nom.	• 20°C (68°F)
• Max.	• 45°C (113°F)
Max. relative humidity	80%
Protection class	IP 54 (cable downwards)
Outdoor use allowed	no
■ Product combinations	
AD-8	WL+AST + CB or CB-WCS (working light with automatic start/stop connected to a control box)

• AD-10 • AD-12 • AD-16	• WCS + CB-WCS • WCS + CB-WCS/15 (welding cable sensor connected to a control box)
■ Where used	
• AD-8	semi and fully controlled multiple arm systems with a central fan
• AD-10	extraction systems with modular hood(s)
• AD-12	• extraction systems with modular hood(s) • downdraft table(s) type DraftMax Eco with welding cable sensor WCS
• AD-16	extraction systems with modular hood(s)
■ Scope of supply	
Automatic damper - Strain relief PG7 - Strain relief PG11	
■ Order information	
Article number	refer to Table 1
Number/package	1
■ Shipping data	
Harmonized Tariff Code	8481.3091.90
Country of origin	the Netherlands

APPROVALS/CERTIFICATES

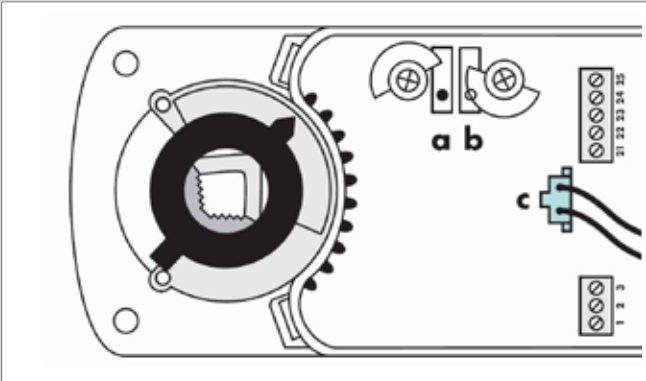


Remaining specifications: refer to Table 1

REMAINING SPECIFICATIONS

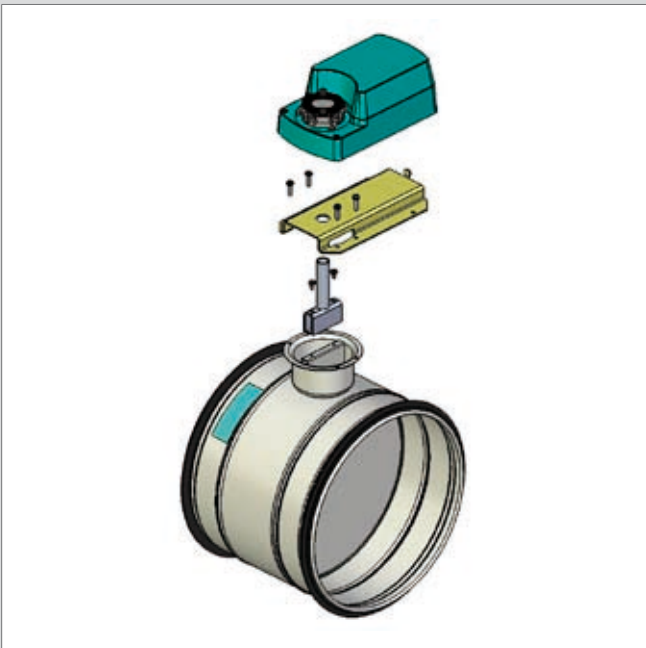
	AD-6	AD-8	AD-10	AD-12	AD-16
Article no.	7900113010	7900107010	7900108010	7900109010	7900111010
Tube length	167 mm (6.6 in.)	167 mm (6.6 in.)	210 mm (8.3 in.)	210 mm (8.3 in.)	240 mm (9.4 in.)
Effective length in duct	100 mm (3.9 in.)	100 mm (3.9 in.)	100 mm (3.9 in.)	100 mm (3.9 in.)	100 mm (3.9 in.)
Tube diameter	Ø 6 inch	Ø 8 inch	Ø 10 inch	Ø 12 inch	Ø 16 inch
Height (incl. motor)	308 mm (12.1 in.)	348 mm (13.7 in.)	398 mm (15.7 in.)	463 mm (18.2 in.)	548 mm (21.6 in.)
Weight (net)	2,3 kg (5.1 lbs)	2,5 kg (5.5 lbs)	3,4 kg (7.5 lbs)	3,8 kg (8.4 lbs)	5 kg (11 lbs)
Weight (gross)	2,8 kg (6.2 lbs)	3 kg (6.6 lbs)	4,1 kg (9 lbs)	4,7 kg (10.4 lbs)	6 kg (13.2 lbs)
Packing dimensions	235 x 320 x 325 mm (9.3 x 12.6 x 12.8 in.)	365 x 225 x 240 mm (14.4 x 8.9 x 9.4 in.)	380 x 305 x 285 mm (15.0 x 12.0 x 11.2 in.)	410 x 350 x 350 mm (16.1 x 13.8 x 13.8 in.)	670 x 410 x 260 mm (26.4 x 16.1 x 10.2 in.)

CHANGING THE DIRECTION OF ROTATION

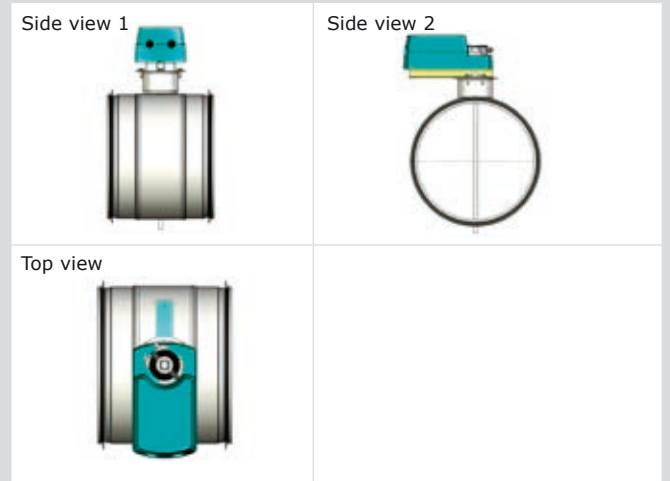


The direction of rotation can be changed by reversing plug C.

COMPOSITION



VIEWS



Shown: AD-10

Product type	AD-6/8/10/12/16
Article no.	refer to Table 1
Product category	options and accessories
Version	071010/B

Always check the latest version on www.plymovent.com.