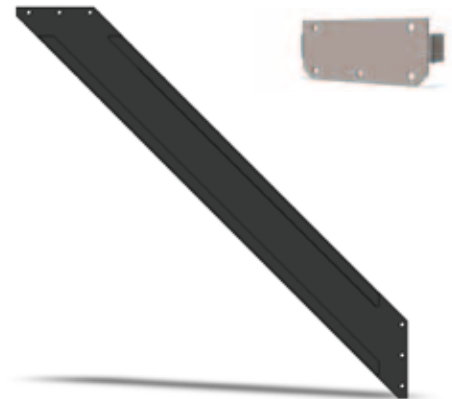


CORNER REINFORCEMENT SET

CORNER REINFORCEMENT FOR FLEXHOOD

Corner reinforcement set to be mounted diagonally between the main frame profile and the leg of a modular extraction hood. It improves the strength of the hood construction.

The corner reinforcement set comes with connection plates to facilitate mounting of the corner reinforcements.

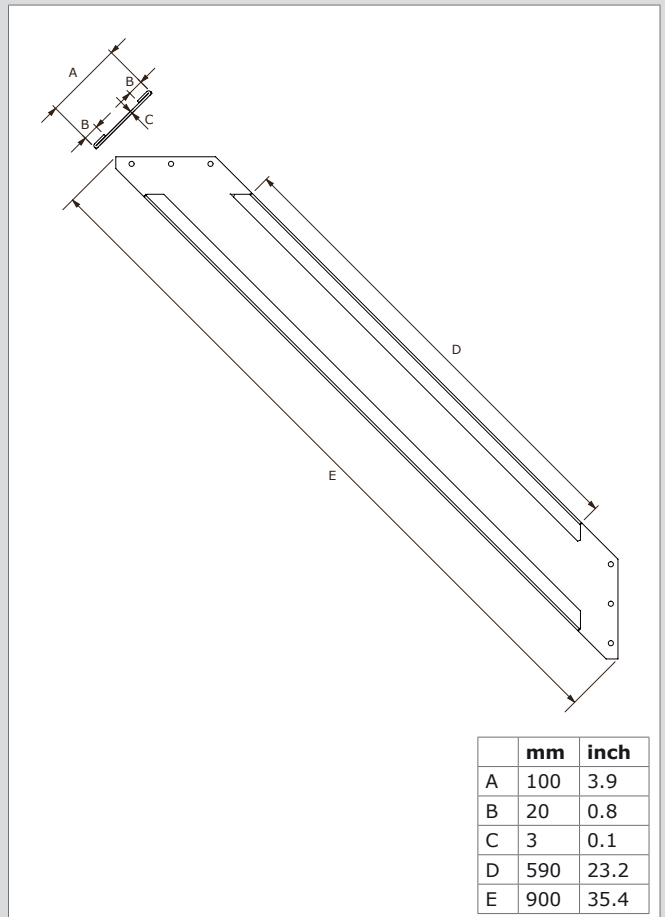


x4

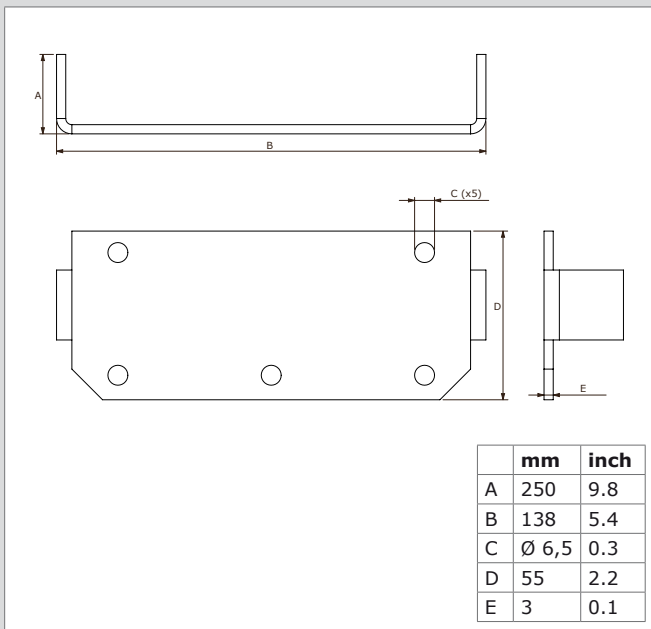
SPECIFICATIONS

■ Physical dimensions and properties	
Material:	<ul style="list-style-type: none"> corner reinforcement connection plate
Colour:	<ul style="list-style-type: none"> corner reinforcement connection plate
Weight (net):	<ul style="list-style-type: none"> corner reinforcement connection plate
■ Product combinations	
Leg	1 set per 2 legs
■ Where used	
FlexHood XL	leg-mounted double and triple compartment hoods
■ Scope of supply	
Corner reinforcement (4) - Connection plate (4) - Self-tapping screw 6,3 x 25 (20) - Locknut M6 (12) - Bolt M6 x 16 (12)	
■ Order information	
Article number	9750000040
Number/package	set of 4 corner reinforcements + connection plates
■ Shipping data	
Gross weight	12 kg (26.5 lbs)
Packing dimensions	910 x 220 x 65 mm (35.8 x 8.7 x 2.6 in.)
Harmonized Tariff Code	8421.9900.99
Country of origin	the Netherlands

DIMENSIONS



Corner reinforcement



Connection plate

Product type	Corner reinforcement set
Article no.	9750000040
Product category	modular extraction hood
Version	040411/A

Always check the latest version on www.plymovent.com.