

CONNECTION FLANGE

CONNECTION FLANGE (INCH) FOR FLEXHOOD

Connection flange that connects a modular extraction hood to the external extraction/filtration facility. The flange is to be mounted on one of the top roof panels of the hood. The number and diameter of flanges depends on the extraction hood size.

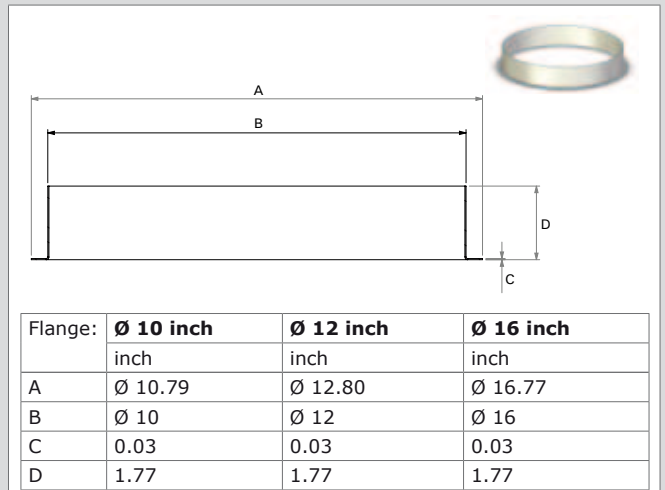


product data sheet

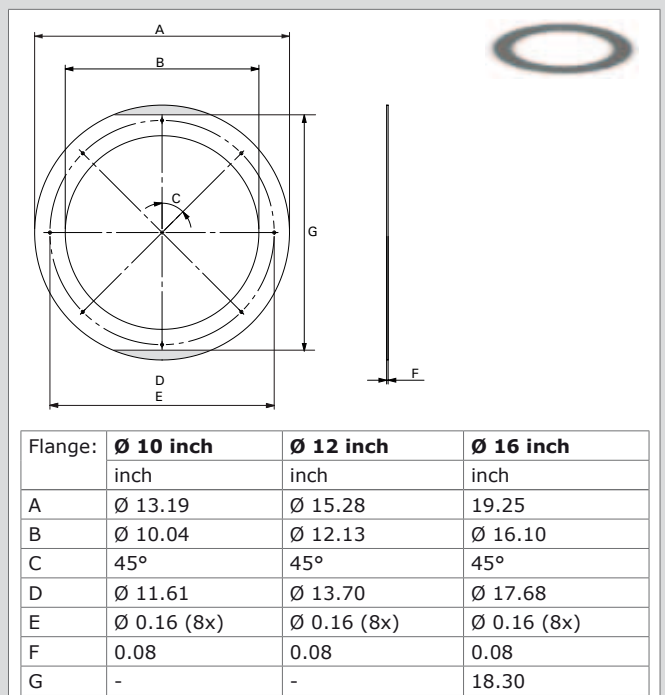
SPECIFICATIONS

Physical dimensions and properties	
Material	zinc-plated steel
Colour	natural
Weight (net):	<ul style="list-style-type: none"> • Ø 10 inch • 900 g (2.0 lbs) • Ø 12 inch • 1020 g (2.3 lbs) • Ø 16 inch • 1335 g (2.9 lbs)
Where used	
FlexHood	modular extraction hood
Scope of supply	
Collar - Ring - Fixing material	
Order information	
Article number:	<ul style="list-style-type: none"> • Ø 10 inch • 9750001040 • Ø 12 inch • 9750001050 • Ø 16 inch • 9750001060
Number/package	1
Shipping data	
Gross weight:	<ul style="list-style-type: none"> • Ø 10 inch • 1,5 kg (3.3 lbs) • Ø 12 inch • 2 kg (4.4 lbs) • Ø 16 inch • 2,2 kg (4.9 lbs)
Packing dimensions:	<ul style="list-style-type: none"> • Ø 10 inch • 475 x 125 x 380 mm (18.7 x 4.9 x 15.0 in.) • Ø 12 inch • 475 x 125 x 380 mm (18.7 x 4.9 x 15.0 in.) • Ø 16 inch • 495 x 155 x 465 mm (19.5 x 6.1 x 18.3 in.)
Harmonized Tariff Code	8421.9900.99
Country of origin	the Netherlands

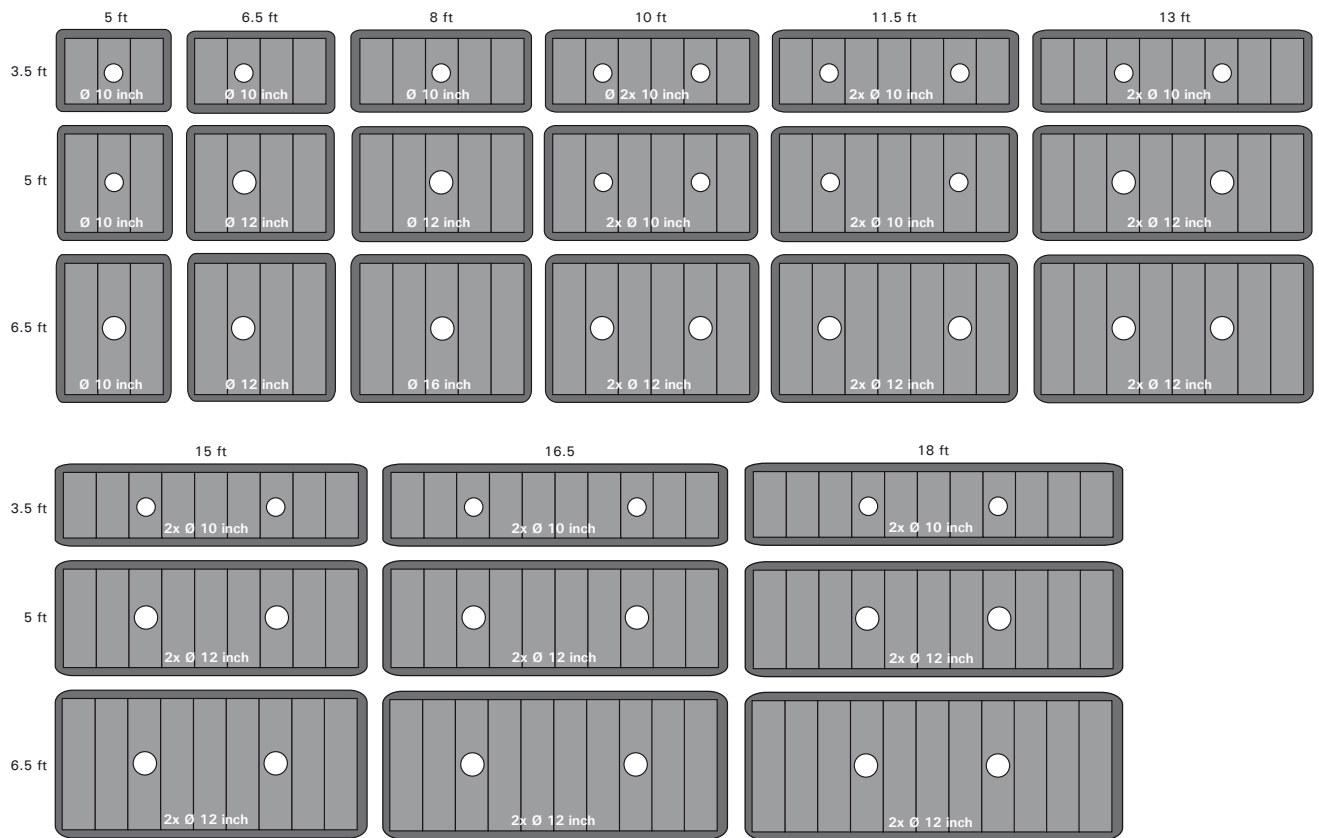
DIMENSIONS



Collar



Ring



Product type

Article no.

Product category

Version

Connection flange

refer to order information

modular extraction hoods

030211/C

Always check the latest version on www.plymovent.com.