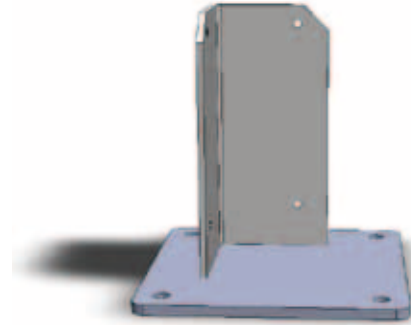


FLOOR MOUNTING SET

FLOOR MOUNTING PLATES FOR FLEXHOOD

Mounting plate set to fix a leg mounted modular extraction hood to the floor. Bolts for floor mounting to be sourced locally.

24 pieces of the included screws are intended to mount the legs to the corner pieces of the hood, while the other 16 are used to mount the legs to the floor mounting plates.



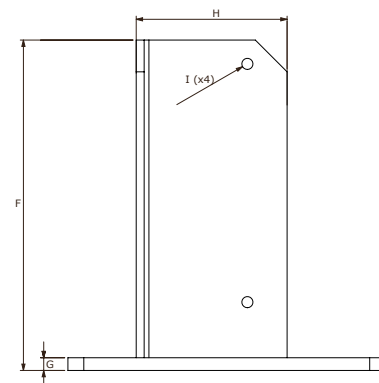
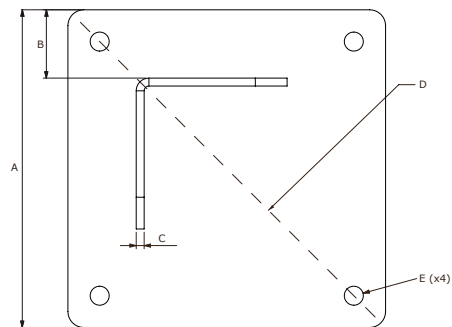
4x

SPECIFICATIONS

■ Physical dimensions and properties	
Material	galvanized steel
Colour	grey RAL 7024
Weight (net)	3,8 kg (8.4 lbs) per piece
■ Product combinations	
Leg	4 legs per floor mounting set
■ Scope of supply	
Floor mounting plate (4) - Self-tapping screw 6,3 x 25 (40)	
■ Order information	
Article number	9750100110
Number/package	set of 4
■ Shipping data	
Gross weight	16,5 kg (36.4 lbs)
Packing dimensions	365 x 240 x 225 mm (14.4 x 9.4 x 8.9 in.)
Harmonized Tariff Code	8421.9900.99

Country of origin	the Netherlands
-------------------	-----------------

DIMENSIONS



	mm	inch
A	200	7.87
B	43	1.7
C	5	2
D	axis of symmetry	
E	Ø 12	Ø 0.5
F	208	8.2
G	8	0.3
H	95	3.7
I	Ø 7	Ø 0.3

Product type	Floor mounting set
Article no.	9750100110
Product category	options and accessories
Version	060111/D

Always check the latest version on www.plymovent.com.