

PREFILTER BOX

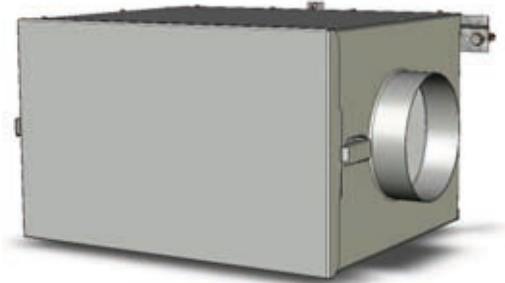
SPARK ARRESTER

Universal prefilter box with diagonally mounted aluminium filter for installation in extraction duct Ø 160 mm (Ø 6 in.). It is to be mounted in horizontal position between an extraction fan and a stationary welding fume filter.

The prefilter box is standard supplied with the filter unit type SFS, but it can be used as an additional spark arrester for SFD units as well.

The box is provided with two draw latches for easy removal of the cover.

The most efficient airflow through the prefilter box is from left to right. Sparks and welding fume particles drop down on the bottom of the box, thus preventing the aluminium filter from clogging prematurely.



SPECIFICATIONS

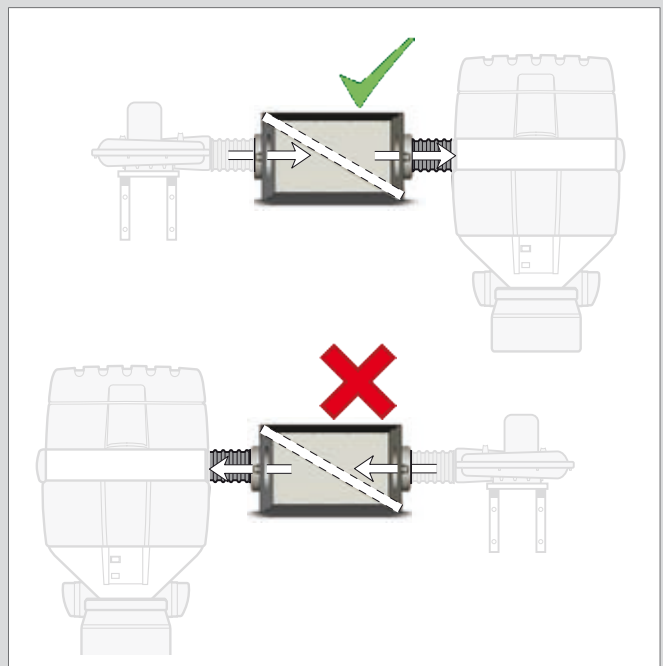
■ Physical dimensions and properties	
Dimensions box:	
• length excl. flanges	• 435 mm (17.1 in.)
• length incl. flanges	• 520 mm (20.5 in.)
• width	• 357 mm (14.1 in.)
• height	• 272 mm (10.7 in.)
Dimensions filter	473 x 355 x 22 mm (18.6 x 14.0 x 0.9 mm)
Inlet and outlet diameter	Ø 152 mm (6 in.)
Material:	
• box	• powder-coated steel.
• filter	• 18 layers of expanded aluminium foil, reverse twisted.
Colour:	
• box	• grey RAL 7024
• filter	• natural
Filter surface area	0,14 m ² (1.5 ft ²)
Weight (net)	10 kg (22 lbs)
■ Performance	
Filter class	G3 according to DIN-EN 779
■ Product combinations	
SFD	in extraction duct Ø 160 mm (Ø 6 in.) between fan and filter unit
■ Where used	
SFS	stationary unit with self-cleaning filter
■ Scope of supply	
Prefilter box - Mounting rail - Flexible hose 50 cm Ø 160 mm (20 in. Ø 6 in.) - Hose clamp (2) - Sealing ring (2)	
■ Order information	
Article number	9850070120
Number/package	1
■ Shipping data	
Gross weight	11 kg (24.3 lbs)
Packing dimensions	526 x 406 x 290 mm (20.7 x 16.0 x 11.4 in.)
Harmonized Tariff Code	8421.39.2090

Country of origin	the Netherlands
-------------------	-----------------

APPROVALS/CERTIFICATES

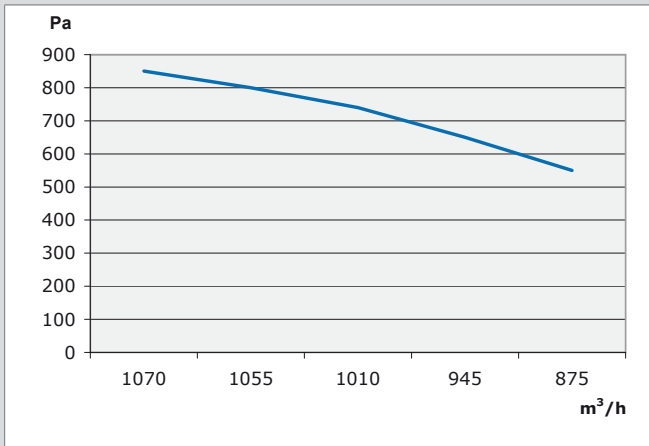


AIRFLOW



Recommended airflow through the prefilter box: from left to right.

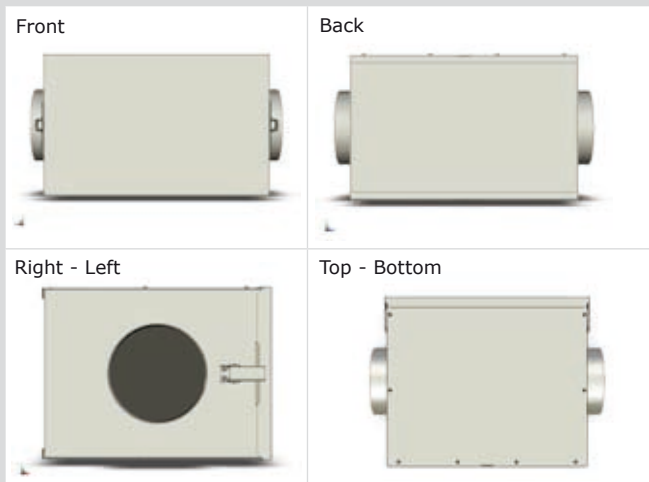
PRESSURE DROP



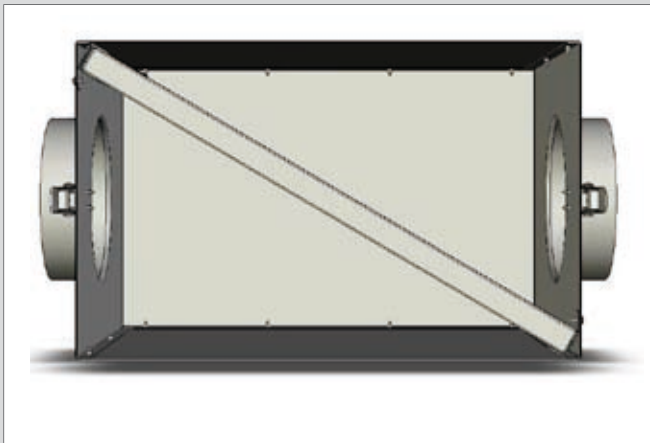
Pressure drop graph of prefilter box in stand-alone situation.

For overall pressure drop of SFS with external prefilter box: refer to data sheet of SFS

VIEWS



POSITION OF PREFILTER



Product type	Prefilter box
Article no.	9850070120
Product category	filters
Version	251110/A

Always check the latest version on www.plymovent.com.