

AIRBEAST™

JEI
Solutions
Built for Industry

AIRBEAST 45

PNEUMATIC DRILLING MACHINE



- ✓ Intended for use in potentially explosive atmospheres
- ✓ No need for electric power
- ✓ Strong permanent magnet base
Great safety features
- ✓ Protection against motor start-up when magnetic base is not activated
- ✓ 2-gear box



AIRBEAST 45 ATEX is a small portable pneumatic drilling machine which allows cutting holes up to 45 mm (1-3/4") diameter.

Combination of pneumatic drive and permanent magnetic base eliminate the need of electric power supply thus making this machine an ideal solution in many hazardous environments such as oil drilling platforms, petrochemical plants, oil refineries, shipbuilding and petrochemical industry, where electric appliances are prohibited for safety reasons.

AIRBEAST 45 ATEX conforms to ATEX II 2 G/D c IIC T6/T4 Standard for equipment used in hazardous environments



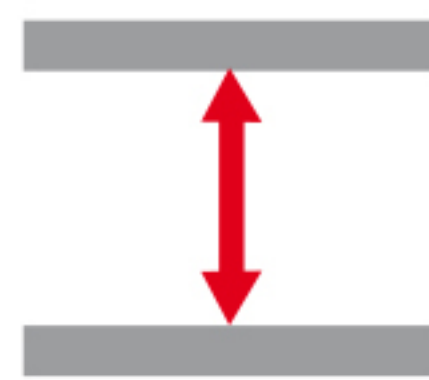
Core drill
45 mm



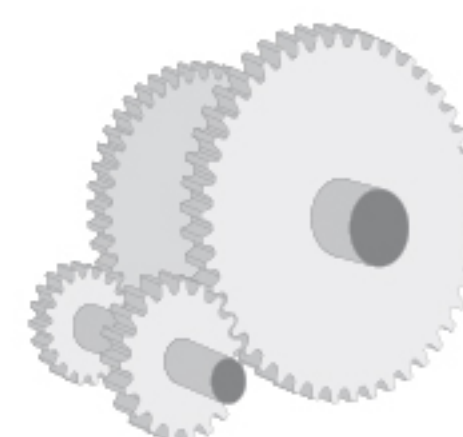
Twist drill
20 mm



Depth of cut
51 mm



Stroke
150 mm



Speed
190 rpm, 290 rpm



Motor Power
800 W



Weight
26.5 kg

CALL 01706 229 490 TO BOOK YOUR DEMONSTRATION NOW OR VISIT WWW.JEIUK.COM

WWW.JEIUK.COM

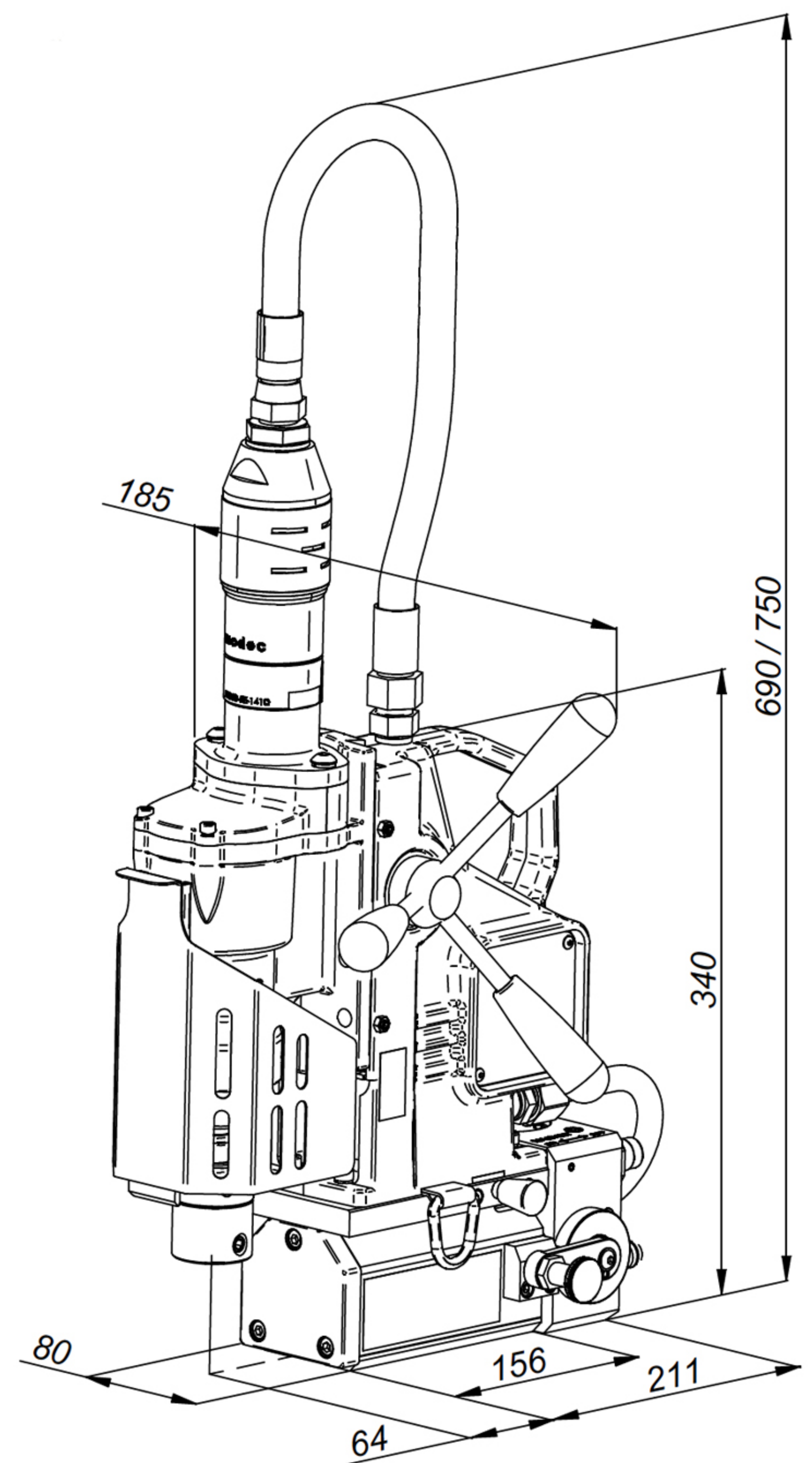
PART NUMBER: AIRBEAST 45

JEI Solutions



AIRBEAST 45 TECHNICAL SPECIFICATIONS

Motor speed (under load)	190 rpm (gear I) 290 rpm (gear II)
Motor power	800 W
Weight	26.5 kg (58.5 lbs)
Max milling capacity	45 mm (1-3/4")
Max drilling capacity	20 mm (13/16")
Stroke	150 mm (6")
Max depth of cut	51 mm (2")
Tool holder	19 mm (3/4") Weldon
Air consumption	1400 l/min (50 CFM)
Pressure	6 bar (87 psi)
Air connection	CEJN 410 DN 10.4 R 3/8" BSPT fitting for quick-coupling
Spindle	MT2
Minimum workpiece thickness	10 mm (3/8")
Required ambient temperature	0–40°C (32–104°F)
Magnetic base holding force	765 kG (7 500 N)
Magnetic base dimensions	80 mm x 80 mm x 143 mm (3.15" x 3.15" x 5.63")
Overall dimensions LxWxH	424 mm x 268 mm x 703 mm 16.7" x 10.5" x 27.7"
Product Code	DRILL-AIR45/ATEX



STANDARD SHIPPING SET

- ✓ Pneumatic drilling machine
- ✓ Metal box
- ✓ Feed handles
- ✓ MT2 arbor
- ✓ Safety chain
- ✓ Cooling system
- ✓ Protective spring for cooling hose
- ✓ Set of tools
- ✓ Operator's manual



CALL 01706 229 490 TO BOOK YOUR DEMONSTRATION NOW OR VISIT WWW.JEIUK.COM