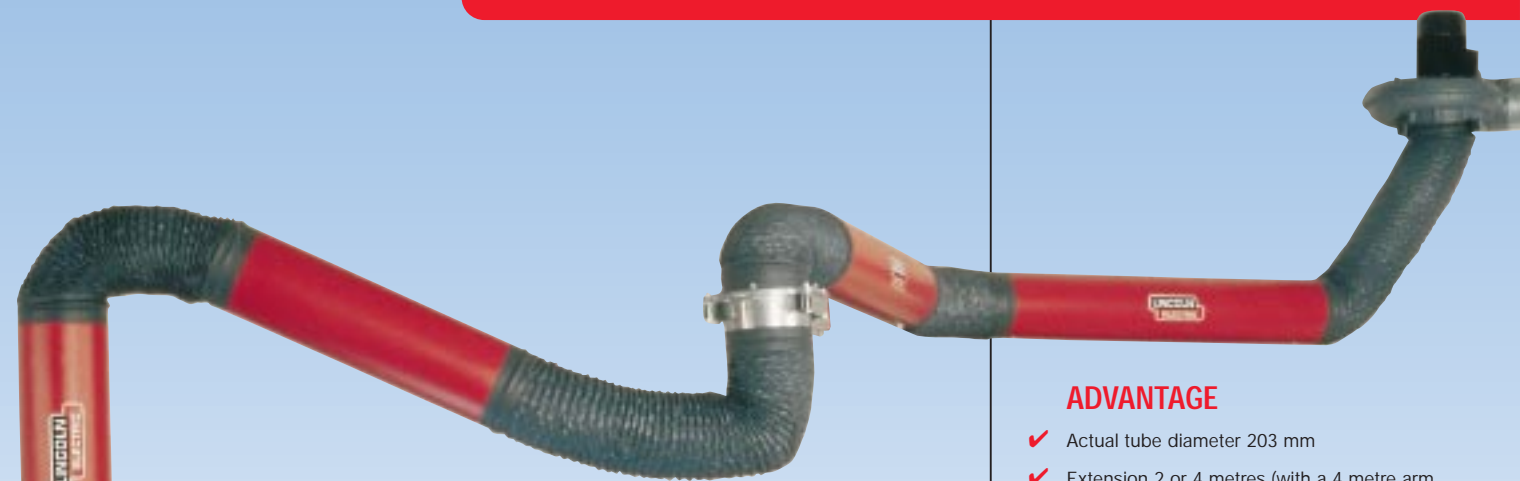


EXTENSION CRANES EC 2 AND 4



ADVANTAGE

- ✓ Actual tube diameter 203 mm
- ✓ Extension 2 or 4 metres (with a 4 metre arm maximum 8 metres working length)
- ✓ Lockable hinge
- ✓ Rail set for welding equipment (optional)

The reach of the LFA extraction arms

is considerably increased when using

an EC 2 (length 2 metres) or EC 4

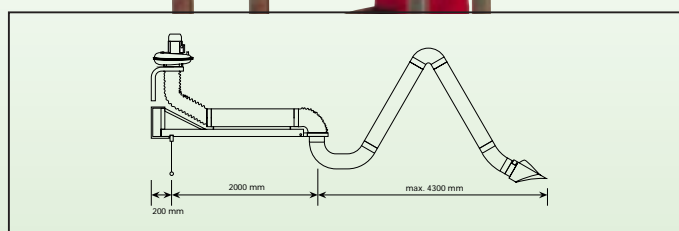
(length 4 metres) extension crane.

Both cranes are supplied with a wall

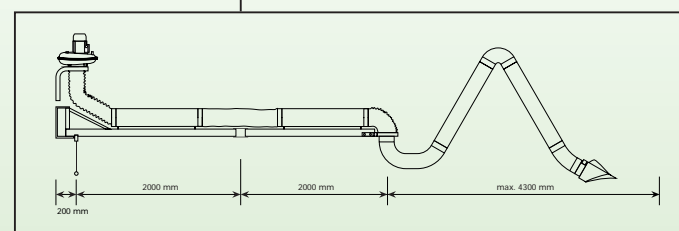
hinge which locks the horizontal

movement of the crane in a previously

selected position.



EC 2 with LFA 4.0; maximum reach: 6 metres.



EC 4 with LFA 4.0; maximum reach: 8 metres.

TOTAL SOLUTIONS

Product	Description	Application
LTA 2.0 Telescopic arm	Reach 1.4 metres	Work benches, small working areas
LFA 2.0/3.0/4.0 Flexible arm	Reach 2, 3 or 4 metres Easy/light operation	For low to standard number of position changes
LFA 3.1/4.1 Flexible arm	Reach 3 or 4 metres Very easy/light operation Virtually maintenance free	For standard to high number of position changes
LFA 4.1-LC LowCeiling flexible arm	Reach 3 or 4 metres Very easy/light operation Virtually maintenance free	For standard to high number of position changes
EC Extension crane	Reach max. 8 metres To be used in combination with LFA 3.0/4.0/3.1/4.1	Operating areas requiring extensive reach

The Netherlands
Lincoln Smitweld B.V.
P.O. Box 253
6500 AG Nijmegen
Tel: +31 24 3522 911
Fax: +31 24 3522 204

Belgium
Lincoln Smitweld Belgium S.A.
Paul Gilsonlaan 470
1620 Drogenbos
Tel: +32 2 37 70 071
Fax: +32 237 81 877

Germany
Lincoln Smitweld GmbH
Max-Keith-Strasse 39
45136 Essen
Tel: +49 201 8 96 280
Fax: +49 201 8 96 2831

Norway
Lincoln Electric Norge A.S.
Brobekkveien 38
P.O. Box 146 Alnabru
N-0614 Oslo
Tel: +47 23 37 74 00
Fax: +47 22 72 05 80

Denmark
Lincoln Electric Nordic
Frichsparken
Søren Frichs Vej 38D
8230 Åbyhøj
Tel: +45 86 26 51 00
Fax: +45 86 26 51 50

Sweden
Lincoln Electric Sverige AB
Lärkvägen 2
441 40 Allingsås
Tel: +46 322 781 30
Fax: +46 322 671 830



Finland
Lincoln Electric Finland
Mestarintie 4
27500 Kauttua
Tel: +358 10 522 3500
Fax: +358 10 522 3510

Croatia
Lincoln Croatia / Trea Trade d.o.o.
Blazici b.b
51 000 Rijeka
Tel: +385 51 683 400
Fax: +358 51 681 088

France
Lincoln Electric France S.A.
Avenue Franklin Roosevelt
76120 Le Grand-Quevilly
Tel.: +33 232 11 40 40
Fax: +33 232 11 40 11

Italy
Lincoln Electric Italia S.r.l.
Via F.lli Canepa 8
16010 Serra Ricco, Genova
Tel.: +39 010 754 111
Fax: +39 010 754 1150

Spain
Lincoln KD S.A.
Ctra. Laureà Miro 396-398
08980 Sant Feliu de Llobregat, Barcelona
Tel.: +34 93 685 9600
Fax: +34 93 685 9610

England
Lincoln Electric (UK) Limited
Mansfield Road
Aston, Sheffield, S26 2BS
Tel.: +44 114 287 2401
Fax: +44 114 287 2582

Czech Republic & Slovakia
Lincoln Electric
Nao KAJETTANKOU 29/1445
1 69 00 Praha 6,
Tel./Fax: +420 2333 55 409
Mobile: +420 606 61 61 65

Hungary
Lincoln Electric Hungarian
Representative Office
1239 Budapest
Haraszi ut 44
Tel.: +36 1 289 0980
Mob.: +36 30989 66 42
Fax: +36 1 286 0328

Lithuania
Lincoln Electric Lithuania
Stoties Str 3 - 1
5730 Silute
Tel/fax: +370 698 135 91

Romania, Serbia, Macedonia, Bulgaria
Lincoln Electric Europe
Calea Dorobantilor 111-131
Bloc 9C, Sc. E, Apt 151
Sector 1, 71224, Bucharest, Romania
Tel. +407 44 566 702
Mob.: +407 44 309 338
Fax: +402 12 308 381

Turkey
Akaynak
Yakacikalti, Ankara Asfalti
Yanyol Mermer Sok. No: 16 Kartal
81450 Istanbul,
Tel.: +902 163 773 090
Fax: +902 163 770 000

**LINCOLN
ELECTRIC**

www.lincolnelectric.com

LINCOLN ENVIRONMENTAL SYSTEMS



EXTRACTION ARMS EXTENSION CRANES

Modern industrial standards

require increasingly safer and

healthier working conditions.

As a direct result the

prevention of damage caused

by the inhalation of welding

fumes is a priority. Fortunately,

through current technological

developments this can easily

be achieved. The innovative

Pro Source low vacuum

welding fume extraction range

combines flexibility, ease of

use and low cost investment.

Through the combination of

various components in this

range any type of welding area

can have an efficient welding

fume extraction system.



**LINCOLN
ELECTRIC**

EXTRACTION ARMS

The flexible extraction arms are built the Lincoln way, rugged and reliable. Designed with the welder in mind, the arms come equipped with the 360° rotatable hood for an optimal positioning in relation to the welding point. The welding point remains clearly visible whilst the fumes are effectively extracted. The extraction arms are made of solid, lightweight, 203 mm diameter tube available in different lengths and designs. Incorporated as standard into the arm is a throttle valve and extraction focus spoiler. A clear halogen lamp and automatic start/stop are available as optional features. All this combined with the easy positioning systems provides a highly effective system with maximum effect, minimum disruption to the welder.



The LFA 2.0/3.0/3.1/4.0/4.1 can be combined with the SF 2400 and SF 4200 fans.

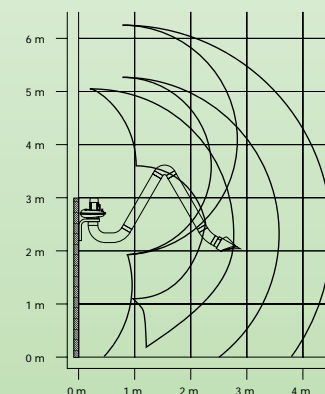


Clear halogen lamp and automatic start/stop are optional.

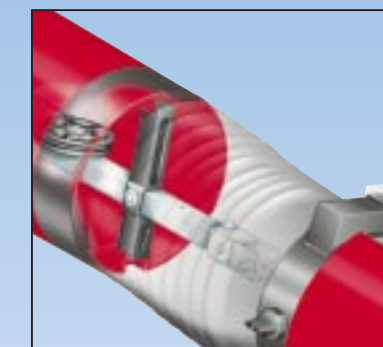


Rotatable hood, throttle valve and extraction focus spoiler are standard.

Reach of the LFA 2.0/3.0/3.1/4.0/4.1 and 4.1-LC



LFA 3.1 / 4.1 / 4.1-LC BALANCESYSTEM®



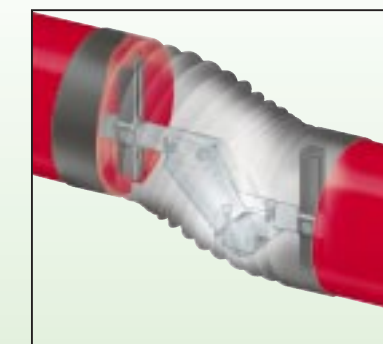
The patented Balance system in the 3.1 and 4.1 arms provides the welder with the lightest controllable arm in the world.

ADVANTAGE

- ✓ Ultralight positioning
- ✓ Minimal maintenance
- ✓ Arm length 3 or 4 metres
- ✓ 360° rotatable hood
- ✓ Working light in extraction hood (optional)
- ✓ Automatic start/stop switching (optional)
- ✓ LowCeiling version available

There are two different main designs of flexible extraction arms available. The principal difference being the balance systems used. The LFA 3.1 and LFA 4.1 incorporate the patented Balance system®. This is based on a technique whereby the pressure and tensile forces in the entire extraction arm are distributed so that the arm is fixed immediately into every position. Because of this distribution of forces the arms movement is exceptionally light, which is especially important when the extraction arm has to be moved frequently during operations. The balance structure also ensures that the arm is virtually maintenance free. The LFA 4.1 can also be obtained in a special LowCeiling version, the LFA 4.1-LC.

LFA 2.0 / 3.0 / 4.0 DEBLOCKSYSTEM®



The patented DeBlock system in the 2.0, 3.0 and 4.0 arms results in an easily positioned product with outstanding value for money.

ADVANTAGE

- ✓ Excellent price/performance ratio
- ✓ Light positioning
- ✓ Arm length 2, 3 or 4 metres
- ✓ 360° rotatable hood
- ✓ Working light in extraction hood (optional)
- ✓ Automatic start/stop switching (optional)

The LFA 2.0/3.0/4.0 arms are based upon the DeBlock balance system. This system is incorporated into the hinges of the extraction arms. The system is designed using a friction lock. As soon as the arm is raised the lightweight lock is released and the arm is free to move in any direction. With its excellent price/performance ratio the LFA 2.0/3.0/4.0 arms offer an economical solution for a wide range of welding areas.

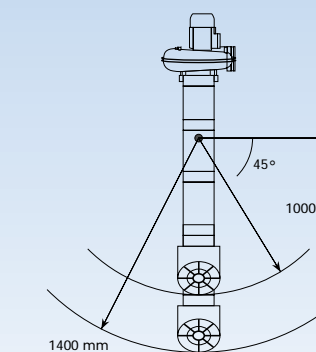
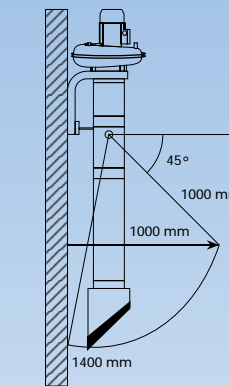
TELESCOPIC ARM LTA 2.0 DEBLOCK SYSTEM®



The telescopic arm is specifically designed for use in small, fixed working areas such as workbenches in welding schools and maintenance workshops. Through the double telescopic function, the welder can place the capture hood at the correct distance and position for optimum efficiency. In situations where no filter is required, the LTA 2.0 can easily be combined with the low noise fan SF 1400. If a filter is required, it is combined with the SF 2400. The extraction performance is the same for both combinations.

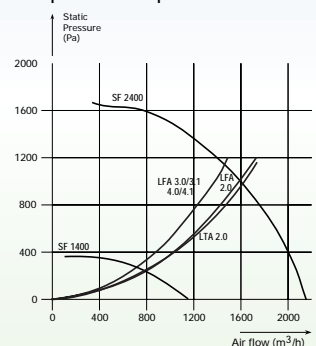
ADVANTAGE

- ✓ Double telescopic function
- ✓ DeBlock® release mechanism
- ✓ 360° rotatable hood
- ✓ Working light in extraction hood (optional)
- ✓ Automatic start/stop switching (optional)



Reach of the LTA 2.0

LFA 2.0/3.0/3.1/4.0/4.1 and LTA 2.0 pressure drop



TECHNICAL SPECIFICATIONS EXTRACTION ARMS

Product	Arm Diameter	Arm Length	Extraction capacity	Recommended fan
LFA 2.0	203 mm	2 m	600/1600 m³/h	SF 2400
LFA 3.0	203 mm	3 m	600/1600 m³/h	SF 2400
LFA 4.0	203 mm	4 m	600/1600 m³/h	SF 2400
LFA 3.1	203 mm	3 m	600/1600 m³/h	SF 2400
LFA 4.1	203 mm	4 m	600/1600 m³/h	SF 2400
LFA 4.1-LC	203 mm	4 m	600/1600 m³/h	SF 2400
LTA 2.0	203 mm	2 m	600/1600 m³/h	SF 1400/2400

STANDARD INCL. FEATURES

Rotatable hood, throttle valve, extraction spoiler on all extraction arms

TECHNICAL SPECIFICATIONS FANS

Product	Power/KW	Speed/RPM	Free blowing cap.	Max. noise level*
SF 1400	0.55	1400	1400	58 dB(A)
SF 2400	0.75	2800	2800	68 dB(A)
SF 5500	1.5	2800	5500	74 dB(A)
SF 8000	3	2800	8000	78 dB(A)
SF 12000	7.5	2800	12000	68** / 82 dB(A)
SF 15000	11	2800	15000	71** / 84 dB(A)

*may vary on working conditions
** in sound absorbing box

OPTIONS

Working light & hood control
Working light & automatic start/stop switching