

Welding machine

Pico 162
Pico 162 VRD
Pico 162 MV

099-002040-EW501

05.10.2015

**Register now
and benefit!**
**Jetzt Registrieren
und Profitieren!**

www.ewm-group.com



General instructions

CAUTION



Read the operating instructions!

The operating instructions provide an introduction to the safe use of the products.

- Read the operating instructions for all system components!
- Observe accident prevention regulations!
- Observe all local regulations!
- Confirm with a signature where appropriate.



In the event of queries on installation, commissioning, operation or special conditions at the installation site, or on usage, please contact your sales partner or our customer service department on +49 2680 181-0.

A list of authorised sales partners can be found at www.ewm-group.com.

Liability relating to the operation of this equipment is restricted solely to the function of the equipment. No other form of liability, regardless of type, shall be accepted. This exclusion of liability shall be deemed accepted by the user on commissioning the equipment.

The manufacturer is unable to monitor whether or not these instructions or the conditions and methods are observed during installation, operation, usage and maintenance of the equipment. An incorrectly performed installation can result in material damage and injure persons as a result. For this reason, we do not accept any responsibility or liability for losses, damages or costs arising from incorrect installation, improper operation or incorrect usage and maintenance or any actions connected to this in any way.

© EWM AG · Dr. Günter-Henle-Str. 8 · D-56271 Mündersbach, Germany

The copyright to this document remains the property of the manufacturer.

Reprinting, including extracts, only permitted with written approval.

The content of this document has been prepared and reviewed with all reasonable care. The information provided is subject to change, errors excepted.

1 Contents

1	Contents	3
2	Safety instructions	5
2.1	Notes on the use of these operating instructions	5
2.2	Explanation of icons.....	6
2.3	General	7
2.4	Transport and installation	11
2.4.1	Ambient conditions	12
2.4.1.1	In operation	12
2.4.1.2	Transport and storage.....	12
3	Intended use	13
3.1	Applications.....	13
3.1.1	MMA welding	13
3.1.2	TIG (Liftarc) welding	13
3.2	Documents which also apply	14
3.2.1	Warranty	14
3.2.2	Declaration of Conformity.....	14
3.2.3	Welding in environments with increased electrical hazards.....	14
3.2.4	Service documents (spare parts and circuit diagrams).....	14
3.2.5	Calibration/Validation	14
4	Machine description – quick overview	15
4.1	Front view	15
4.2	Rear view	16
4.3	Machine control – Operating elements.....	17
5	Design and function	18
5.1	General	18
5.2	Transport and installation	19
5.2.1	Adjusting the length of the carrying strap.....	19
5.3	Machine cooling.....	20
5.4	Workpiece lead, general	20
5.5	Mains connection.....	21
5.5.1	Mains configuration	21
5.6	MMA welding	22
5.6.1	Connecting the electrode holder and workpiece lead	22
5.6.2	Selecting MMA welding.....	23
5.6.2.1	Arcforce.....	23
5.6.2.2	Hotstart current and Hotstart time	23
5.6.2.3	Antistick.....	23
5.7	TIG welding.....	24
5.7.1	Shielding gas supply (shielding gas cylinder for welding machine)	24
5.7.1.1	Connecting the shielding gas supply	25
5.7.1.2	Connecting a TIG welding torch with rotating gas valve.....	26
5.7.2	TIG welding selection	27
5.7.2.1	TIG arc ignition.....	27
5.8	Machine variants.....	28
5.8.1	Voltage reducing device (VRD).....	28
5.8.2	Multi-voltage machine (MV).....	28
5.9	Dirt filter.....	28
6	Maintenance, care and disposal	29
6.1	General	29
6.2	Maintenance work, intervals	29
6.2.1	Daily maintenance tasks	29
6.2.2	Monthly maintenance tasks.....	29
6.2.3	Annual test (inspection and testing during operation).....	30
6.3	Disposing of equipment	30
6.3.1	Manufacturer's declaration to the end user.....	30
6.4	Meeting the requirements of RoHS	30

7	Rectifying faults	31
7.1	Machine faults (error messages)	31
8	Technical data	32
8.1	Pico 162 (230 V)	32
8.2	Pico 162 MV (115V)	33
9	Accessories	34
9.1	Electrode holder / workpiece lead	34
9.2	TIG welding torch	34
9.3	General accessories	34
9.4	Options	34
10	Appendix A	35
10.1	Overview of EWM branches.....	35

2 Safety instructions

2.1 Notes on the use of these operating instructions

DANGER

Working or operating procedures which must be closely observed to prevent imminent serious and even fatal injuries.

- Safety notes include the "DANGER" keyword in the heading with a general warning symbol.
- The hazard is also highlighted using a symbol on the edge of the page.

WARNING

Working or operating procedures which must be closely observed to prevent serious and even fatal injuries.

- Safety notes include the "WARNING" keyword in the heading with a general warning symbol.
- The hazard is also highlighted using a symbol in the page margin.

CAUTION

Working or operating procedures which must be closely observed to prevent possible minor personal injury.

- The safety information includes the "CAUTION" keyword in its heading with a general warning symbol.
- The risk is explained using a symbol on the edge of the page.

CAUTION

Working and operating procedures which must be followed precisely to avoid damaging or destroying the product.

- The safety information includes the "CAUTION" keyword in its heading without a general warning symbol.
- The hazard is explained using a symbol at the edge of the page.

Special technical points which users must observe.

Instructions and lists detailing step-by-step actions for given situations can be recognised via bullet points, e.g.:

- Insert the welding current lead socket into the relevant socket and lock.

2.2 Explanation of icons

Symbol	Description
	Special technical points which users must observe.
	Correct
	Wrong
	Press
	Do not press
	Press and keep pressed
	Turn
	Switch
	Switch off machine
	Switch on machine
ENTER	enter the menu
NAVIGATION	Navigating in the menu
EXIT	Exit the menu
4 s 	Time display (example: wait 4s/press)
	Interruption in the menu display (other setting options possible)
	Tool not required/do not use
	Tool required/use

2.3 General

DANGER



Electromagnetic fields!

The power source may cause electrical or electromagnetic fields to be produced which could affect the correct functioning of electronic equipment such as IT or CNC devices, telecommunication lines, power cables, signal lines and pacemakers.

- Observe the maintenance instructions - See 6 Maintenance, care and disposal chapter!
- Unwind welding leads completely!
- Shield devices or equipment sensitive to radiation accordingly!
- The correct functioning of pacemakers may be affected (obtain advice from a doctor if necessary).



Do not carry out any unauthorised repairs or modifications!

To avoid injury and equipment damage, the unit must only be repaired or modified by specialist, skilled persons!

The warranty becomes null and void in the event of unauthorised interference.

- Appoint only skilled persons for repair work (trained service personnel)!



Electric shock!

Welding machines use high voltages which can result in potentially fatal electric shocks and burns on contact. Even low voltages can cause you to get a shock and lead to accidents.

- Do not touch any live parts in or on the machine!
- Connection cables and leads must be free of faults!
- Switching off alone is not sufficient!
- Place welding torch and stick electrode holder on an insulated surface!
- The unit should only be opened by specialist staff after the mains plug has been unplugged!
- Only wear dry protective clothing!
- Wait for 4 minutes until the capacitors have discharged!

WARNING



Risk of injury due to radiation or heat!

Arc radiation results in injury to skin and eyes.

Contact with hot workpieces and sparks results in burns.

- Use welding shield or welding helmet with the appropriate safety level (depending on the application)!
- Wear dry protective clothing (e.g. welding shield, gloves, etc.) according to the relevant regulations in the country in question!
- Protect persons not involved in the work against arc beams and the risk of glare using safety curtains!



Explosion risk!

Apparently harmless substances in closed containers may generate excessive pressure when heated.

- Move containers with inflammable or explosive liquids away from the working area!
- Never heat explosive liquids, dusts or gases by welding or cutting!

WARNING



Smoke and gases!

Smoke and gases can lead to breathing difficulties and poisoning. In addition, solvent vapour (chlorinated hydrocarbon) may be converted into poisonous phosgene due to the ultraviolet radiation of the arc!

- Ensure that there is sufficient fresh air!
- Keep solvent vapour away from the arc beam field!
- Wear suitable breathing apparatus if appropriate!



Fire hazard!

Flames may arise as a result of the high temperatures, stray sparks, glowing-hot parts and hot slag produced during the welding process.

Stray welding currents can also result in flames forming!

- Check for fire hazards in the working area!
- Do not carry any easily flammable objects such as matches or lighters.
- Keep appropriate fire extinguishing equipment to hand in the working area!
- Thoroughly remove any residue of flammable substances from the workpiece before starting welding.
- Only continue work on welded workpieces once they have cooled down. Do not allow to come into contact with flammable material!
- Connect welding leads correctly!



Risk of accidents due to non-compliance with the safety instructions!

Non-compliance with the safety instructions can be fatal!

- Carefully read the safety instructions in this manual!
- Observe the accident prevention regulations and any regional regulations!
- Inform persons in the working area that they must comply with the regulations!



Danger when coupling multiple power sources!

Coupling multiple power sources in parallel or in series has to be carried out by qualified personnel and in accordance with the manufacturer's guidelines. Before bringing the power sources into service for arc welding operations, a test has to verify that they cannot exceed the maximum allowed open circuit voltage.

- Connection of the machine may be carried out by qualified personnel only!
- When decommissioning individual power sources, all mains and welding current leads have to be safely disconnected from the welding system as a whole. (Danger due to inverse voltages!)
- Do not couple welding machines with pole reversing switch (PWS series) or machines for AC welding, as a minor error in operation can cause the welding voltages to be combined.

CAUTION



Noise exposure!

Noise exceeding 70 dBA can cause permanent hearing damage!

- Wear suitable ear protection!
- Persons located within the working area must wear suitable ear protection!

CAUTION**Obligations of the operator!****The respective national directives and laws must be observed for operation of the machine!**

- National implementation of the framework directive (89/391/EEG), as well as the associated individual directives.
- In particular, directive (89/655/EEG), on the minimum regulations for safety and health protection when staff members use equipment during work.
- The regulations regarding work safety and accident prevention for the respective country.
- Setting up and operating the machine according to IEC 60974-9.
- Check at regular intervals that users are working in a safety-conscious way.
- Regular checks of the machine according to IEC 60974-4.

**Damage due to the use of non-genuine parts!****The manufacturer's warranty becomes void if non-genuine parts are used!**

- Only use system components and options (power sources, welding torches, electrode holders, remote controls, spare parts and replacement parts, etc.) from our range of products!
- Only insert and lock accessory components into the relevant connection socket when the machine is switched off.

**Damage to the machine due to stray welding currents!****Stray welding currents can destroy protective earth conductors, damage equipment and electronic devices and cause overheating of components leading to fire.**

- Make sure all welding leads are securely connected and check regularly.
- Always ensure a proper and secure electrical connection to the workpiece!
- Set up, attach or suspend all conductive power source components like casing, transport vehicle and crane frames so they are insulated!
- Do not place any other electronic devices such as drillers or angle grinders, etc., on the power source, transport vehicle or crane frames unless they are insulated!
- Always put welding torches and electrode holders on an insulated surface when they are not in use!

**Mains connection****Requirements for connection to the public mains network**

High-performance machines can influence the mains quality by taking current from the mains network. For some types of machines, connection restrictions or requirements relating to the maximum possible line impedance or the necessary minimum supply capacity at the interface with the public network (Point of Common Coupling, PCC) can therefore apply. In this respect, attention is also drawn to the machines' technical data. In this case, it is the responsibility of the operator, where necessary in consultation with the mains network operator, to ensure that the machine can be connected.

CAUTION



EMC Machine Classification

In accordance with IEC 60974-10, welding machines are grouped in two electromagnetic compatibility classes - See 8 Technical data chapter:

Class A machines are not intended for use in residential areas where the power supply comes from the low-voltage public mains network. When ensuring the electromagnetic compatibility of class A machines, difficulties can arise in these areas due to interference not only in the supply lines but also in the form of radiated interference.

Class B machines fulfil the EMC requirements in industrial as well as residential areas, including residential areas connected to the low-voltage public mains network.

Setting up and operating

When operating arc welding systems, in some cases, electro-magnetic interference can occur although all of the welding machines comply with the emission limits specified in the standard. The user is responsible for any interference caused by welding.

In order to **evaluate** any possible problems with electromagnetic compatibility in the surrounding area, the user must consider the following: (see also EN 60974-10 Appendix A)

- Mains, control, signal and telecommunication lines
- Radios and televisions
- Computers and other control systems
- Safety equipment
- The health of neighbouring persons, especially if they have a pacemaker or wear a hearing aid
- Calibration and measuring equipment
- The immunity to interference of other equipment in the surrounding area
- The time of day at which the welding work must be carried out

Recommendations for **reducing interference emission**

- Mains connection, e.g. additional mains filter or shielding with a metal tube
- Maintenance of the arc welding equipment
- Welding leads should be as short as possible and run closely together along the ground
- Potential equalization
- Earthing of the workpiece. In cases where it is not possible to earth the workpiece directly, it should be connected by means of suitable capacitors.
- Shielding from other equipment in the surrounding area or the entire welding system

2.4 Transport and installation

WARNING



Incorrect handling of shielding gas cylinders!

Incorrect handling of shielding gas cylinders can result in serious and even fatal injury.

- Observe the instructions from the gas manufacturer and in any relevant regulations concerning the use of compressed air!
- Place shielding gas cylinders in the holders provided for them and secure with fixing devices.
- Avoid heating the shielding gas cylinder!



Risk of accident due to improper transport of machines that may not be lifted!

Do not lift or suspend the machine! The machine can fall down and cause injuries! The handles and brackets are suitable for transport by hand only!

- The machine may not be lifted by crane or suspended!

CAUTION



Risk of tipping!

There is a risk of the machine tipping over and injuring persons or being damaged itself during movement and set up. Tilt resistance is guaranteed up to an angle of 10° (according to IEC 60974-1).

- Set up and transport the machine on level, solid ground.
- Secure add-on parts using suitable equipment.



Damage due to supply lines not being disconnected!

During transport, supply lines which have not been disconnected (mains supply leads, control leads, etc.) may cause hazards such as connected equipment tipping over and injuring persons!

- Disconnect supply lines!

CAUTION



Equipment damage when not operated in an upright position!

The units are designed for operation in an upright position!

Operation in non-permissible positions can cause equipment damage.

- Only transport and operate in an upright position!

2.4.1 Ambient conditions

CAUTION



Installation site!

The machine must not be operated in the open air and must only be set up and operated on a suitable, stable and level base!

- The operator must ensure that the ground is non-slip and level, and provide sufficient lighting for the place of work.
- Safe operation of the machine must be guaranteed at all times.

CAUTION



Equipment damage due to dirt accumulation!

Unusually high quantities of dust, acid, corrosive gases or substances may damage the equipment.

- Avoid high volumes of smoke, vapour, oil vapour and grinding dust!
- Avoid ambient air containing salt (sea air)!



Non-permissible ambient conditions!

Insufficient ventilation results in a reduction in performance and equipment damage.

- Observe the ambient conditions!
- Keep the cooling air inlet and outlet clear!
- Observe the minimum distance of 0.5 m from obstacles!

2.4.1.1 In operation

Temperature range of the ambient air:

- -25 °C to +40 °C

Relative air humidity:

- Up to 50% at 40 °C
- Up to 90% at 20 °C

2.4.1.2 Transport and storage

Storage in an enclosed space, temperature range of the ambient air:

- -30 °C to +70 °C

Relative air humidity

- Up to 90% at 20 °C

3 Intended use

WARNING



Hazards due to improper usage!

Hazards may arise for persons, animals and material objects if the equipment is not used correctly. No liability is accepted for any damages arising from improper usage!

- The equipment must only be used in line with proper usage and by trained or expert staff!
- Do not modify or convert the equipment improperly!

3.1 Applications

3.1.1 MMA welding

Manual arc welding or, for short, MMA welding. It is characterised by the fact that the arc burns between a melting electrode and the molten pool. There is no external protection; any protection against the atmosphere comes from the electrode.

3.1.2 TIG (Liftarc) welding

TIG welding procedure with arc striking by contact with the workpiece and subsequent removal of the electrode.

3.2 Documents which also apply

3.2.1 Warranty

 For more information refer to the "Warranty registration" brochure supplied and our information regarding warranty, maintenance and testing at www.ewm-group.com!

3.2.2 Declaration of Conformity


 The designated machine conforms to EC Directives and standards in terms of its design and construction:

- EC Low Voltage Directive (2006/95/EC),
- EC EMC Directive (2004/108/EC),

This declaration shall become null and void in the event of unauthorised modifications, improperly conducted repairs, non-observance of the deadlines for the repetition test and / or non-permitted conversion work not specifically authorised by the manufacturer.

The original copy of the declaration of conformity is enclosed with the unit.

3.2.3 Welding in environments with increased electrical hazards

 In compliance with IEC / DIN EN 60974, VDE 0544 the machines can be used in environments with an increased electrical hazard.

3.2.4 Service documents (spare parts and circuit diagrams)



DANGER



Do not carry out any unauthorised repairs or modifications!

To avoid injury and equipment damage, the unit must only be repaired or modified by specialist, skilled persons!

The warranty becomes null and void in the event of unauthorised interference.

- Appoint only skilled persons for repair work (trained service personnel)!

Original copies of the circuit diagrams are enclosed with the unit.

Spare parts can be obtained from the relevant authorised dealer.

3.2.5 Calibration/Validation

We hereby confirm that this machine has been tested using calibrated measuring equipment, as stipulated in IEC/EN 60974, ISO/EN 17662, EN 50504, and complies with the admissible tolerances.

Recommended calibration interval: 12 months

4 Machine description – quick overview

4.1 Front view

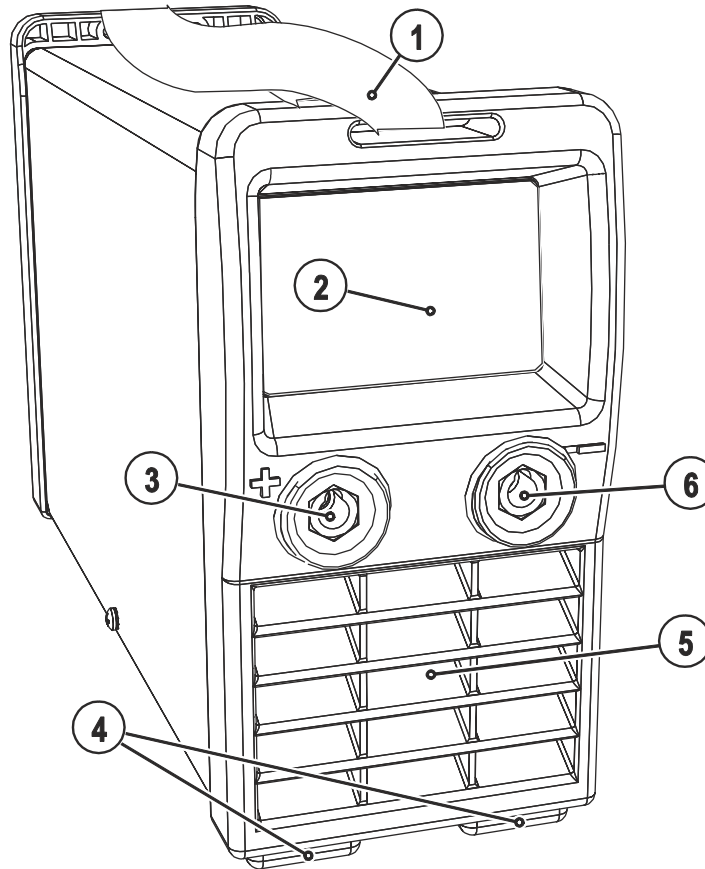


Figure 4-1

Item	Symbol	Description
1		Carrying strap - See 5.2.1 Adjusting the length of the carrying strap chapter
2		Machine control - See 4.3 Machine control – Operating elements chapter
3	+	Connection socket, "+" welding current <ul style="list-style-type: none"> • TIG: Connection for workpiece lead • MMA: Electrode holder or workpiece lead connection
4		Machine feet
5		Cooling air outlet
6	-	Connection socket, "-" welding current <ul style="list-style-type: none"> • MMA welding: Electrode holder or workpiece lead connection • TIG welding: Welding current lead connection for TIG welding torch

4.2 Rear view

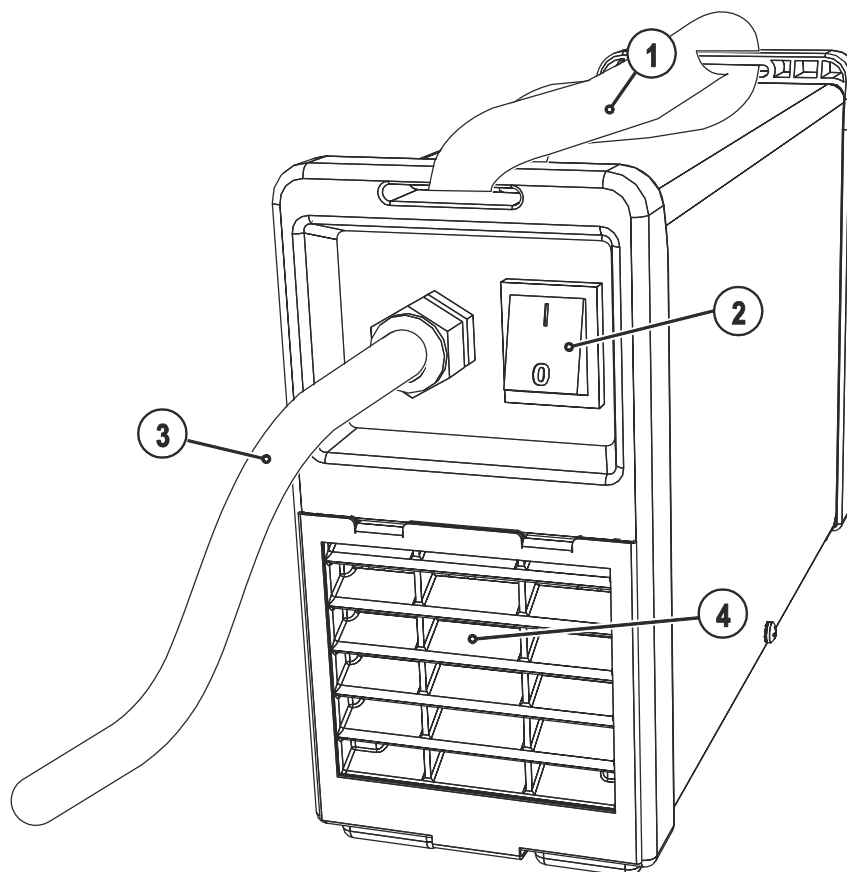
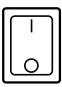


Figure 4-2

Item	Symbol	Description
1		Carrying strap - See 5.2.1 Adjusting the length of the carrying strap chapter
2		Main switch, machine on/off
3		Mains connection cable - See 5.5 Mains connection chapter
4		Cooling air inlet

4.3 Machine control – Operating elements

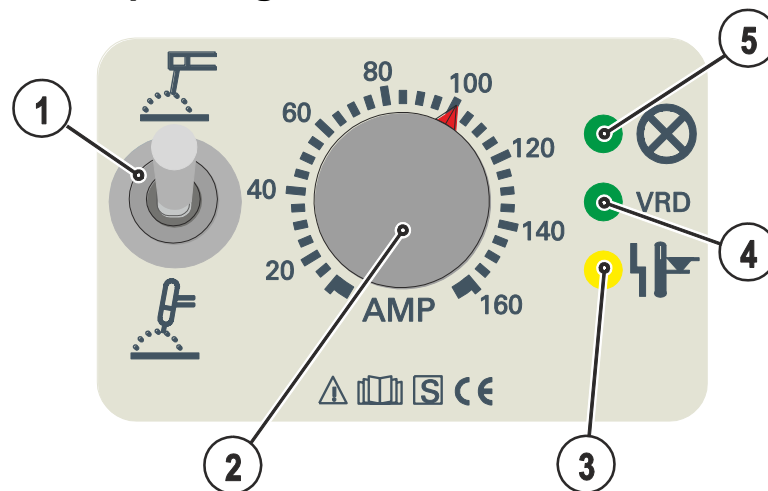


Figure 4-3

Item	Symbol	Description
1		Welding process changeover switch <ul style="list-style-type: none"> • = MMA welding • = TIG welding
2		Welding current rotary dial Infinite adjustment of the welding current from 10A to maximum current
3		Functional error signal light- See 7 Rectifying faults chapter
4	VRD	Voltage reduction device (VRD) The VRD signal light is illuminated, when the voltage reduction device is operating without fault and the output voltage is reduced to a value specified in the relevant standard- See 5.8.1 Voltage reducing device (VRD) chapter. The voltage reduction device is only active on VRD machine versions.
5		Ready for operation signal light Signal light on when the machine is switched on and ready for operation

5 Design and function

5.1 General

WARNING



Risk of injury from electric shock!

Contact with live parts, e.g. welding current sockets, is potentially fatal!

- Follow safety instructions on the opening pages of the operating instructions.
- Commissioning may only be carried out by persons who have the relevant expertise of working with arc welding machines!
- Connection and welding leads (e.g. electrode holder, welding torch, workpiece lead, interfaces) may only be connected when the machine is switched off!

CAUTION



Insulate the arc welder from welding voltage!

Not all active parts of the welding current circuit can be shielded from direct contact. To avoid any associated risks it is vital for the welder to adhere to the relevant safety regulations. Even low voltages can cause a shock and lead to accidents.

- Wear dry and undamaged protective clothing (shoes with rubber soles/welder's gloves made from leather without any studs or braces)!
- Avoid direct contact with non-insulated connection sockets or connectors!
- Always place torches and electrode holders on an insulated surface!



Risk of burns on the welding current connection!

If the welding current connections are not locked, connections and leads heat up and can cause burns, if touched!

- Check the welding current connections every day and lock by turning in clockwise direction, if necessary.



Risk from electrical current!

If welding is carried out alternately using different methods and if a welding torch and an electrode holder remain connected to the machine, the open-circuit/welding voltage is applied simultaneously on all cables.

- The torch and the electrode holder should therefore always be placed on an insulated surface before starting work and during breaks.

CAUTION



Damage due to incorrect connection!

Accessory components and the power source itself can be damaged by incorrect connection!

- Only insert and lock accessory components into the relevant connection socket when the machine is switched off.
- Comprehensive descriptions can be found in the operating instructions for the relevant accessory components.
- Accessory components are detected automatically after the power source is switched on.



Using protective dust caps!

Protective dust caps protect the connection sockets and therefore the machine against dirt and damage.

- The protective dust cap must be fitted if there is no accessory component being operated on that connection.
- The cap must be replaced if faulty or if lost!

5.2 Transport and installation

⚠ WARNING



Risk of accident due to improper transport of machines that may not be lifted! Do not lift or suspend the machine! The machine can fall down and cause injuries! The handles and brackets are suitable for transport by hand only!

- The machine may not be lifted by crane or suspended!

⚠ CAUTION



Installation site!

The machine must not be operated in the open air and must only be set up and operated on a suitable, stable and level base!

- The operator must ensure that the ground is non-slip and level, and provide sufficient lighting for the place of work.
- Safe operation of the machine must be guaranteed at all times.

5.2.1 Adjusting the length of the carrying strap



To demonstrate adjustment, lengthening the strap is shown in the figure. To shorten, the strap's loops must be inched in the opposite direction.

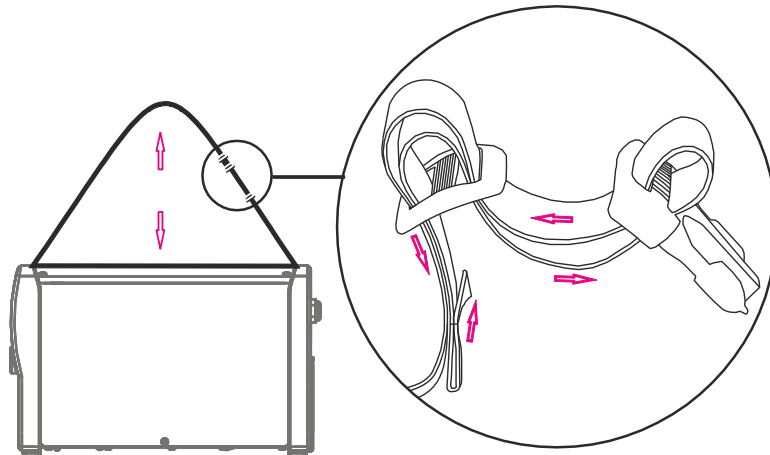


Figure 5-1

5.3 Machine cooling

To obtain an optimal duty cycle from the power components, the following precautions should be observed:

- Ensure that the working area is adequately ventilated.
- Do not obstruct the air inlets and outlets of the machine.
- Do not allow metal parts, dust or other objects to get into the machine.

5.4 Workpiece lead, general

CAUTION



Risk of burns due to incorrect connection of the workpiece lead!

Paint, rust and dirt on the connection restrict the power flow and may lead to stray welding currents.

Stray welding currents may cause fires and injuries!

- Clean the connections!
- Fix the workpiece lead securely!
- Do not use structural parts of the workpiece as a return lead for the welding current!
- Take care to ensure faultless power connections!

5.5 Mains connection

⚠ DANGER



Hazard caused by improper mains connection!

An improper mains connection can cause injuries or damage property!

- Only use machine with a plug socket that has a correctly fitted protective conductor.
- If a mains plug must be fitted, this may only be carried out by an electrician in accordance with the relevant national provisions or regulations!
- Mains plug, socket and lead must be checked regularly by an electrician!
- When operating the generator always ensure it is earthed as stated in the operating instructions. The resulting network has to be suitable for operating devices according to protection class 1.

5.5.1 Mains configuration



The machine may only be connected to a one-phase system with two conductors and an earthed neutral conductor.

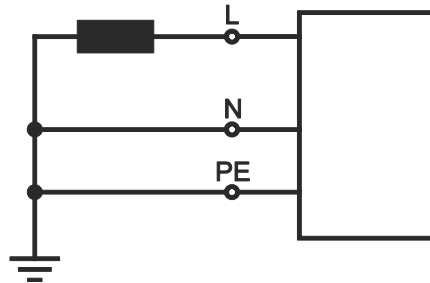


Figure 5-2

Legend

Item	Designation	Colour code
L	Outer conductor	brown
N	Neutral conductor	blue
PE	Protective conductor	green-yellow

CAUTION



Operating voltage - mains voltage!

The operating voltage shown on the rating plate must be consistent with the mains voltage, in order to avoid damage to the machine!

- - See 8 Technical data chapter!

- Insert mains plug of the switched-off machine into the appropriate socket.

5.6 MMA welding

⚠ CAUTION



Risk of being crushed or burnt.

When replacing spent or new stick electrodes

- Switch off machine at the main switch
- Wear appropriate safety gloves
- Use insulated tongs to remove spent stick electrodes or to move welded workpieces and
- Always put the electrode holder down on an insulated surface.

5.6.1 Connecting the electrode holder and workpiece lead



Polarity depends on the instructions from the electrode manufacturer given on the electrode packaging.

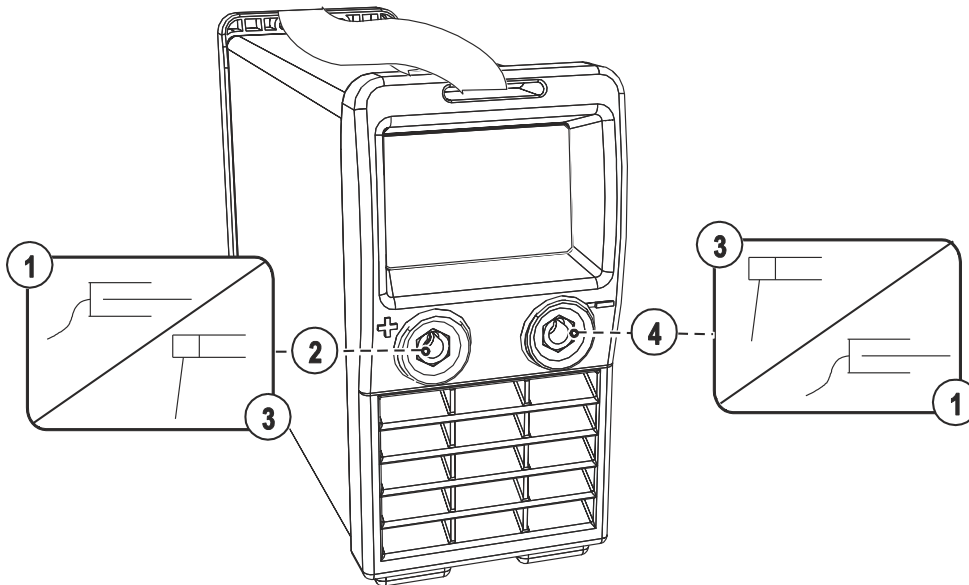

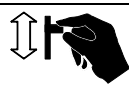
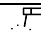
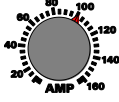



Figure 5-3

Item	Symbol	Description
1		Workpiece
2		Connection socket for "+" welding current Electrode holder or workpiece lead connection
3		Electrode holder
4		Connection socket, "-" welding current Workpiece lead or electrode holder connection

- Insert cable plug of the electrode holder into either the "+" or "-" welding current connection socket and lock by turning to the right.
- Insert cable plug of the workpiece lead into either the "+" or "-" welding current connection socket and lock by turning to the right.

5.6.2 Selecting MMA welding

Operating element	Action	Result
		MMA  welding process selected
		Main current setting

5.6.2.1 Arcforce

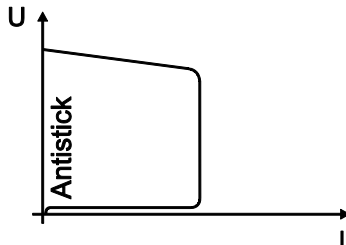
During the welding process, arcforce prevents the electrode sticking in the weld pool with increases in current. This makes it easier to weld large-drop melting electrode types at low current strengths with a short arc in particular.

5.6.2.2 Hotstart current and Hotstart time

The hotstart device uses an increased ignition current to improve arc ignition. There are presets for the optimum hotstart current and hotstart time parameters on the machine.

After striking the stick electrode, the arc will ignite with the hotstart current and will then drop to the main current setting.

5.6.2.3 Antistick



Anti-stick prevents the electrode from annealing.

If the electrode sticks in spite of the Arcforce device, the machine automatically switches over to the minimum current within about 1 second to prevent the electrode from overheating. Check the welding current setting and correct according to the welding task!

5.7 TIG welding

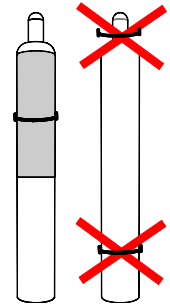
5.7.1 Shielding gas supply (shielding gas cylinder for welding machine)

WARNING



Risk of injury due to improper handling of shielding gas cylinders! Improper handling and insufficient securing of shielding gas cylinders can cause serious injuries!

- The fastening elements must tightly enclose the shielding gas cylinder!
- Attach the fastening elements within the upper half of the shielding gas cylinder!
- Do not attach any element to the shielding gas cylinder valve!
- Observe the instructions from the gas manufacturer and any relevant regulations concerning the use of compressed air!
- Avoid heating the shielding gas cylinder!



CAUTION



Faults in the shielding gas supply.

An unhindered shielding gas supply from the shielding gas cylinder to the welding torch is a fundamental requirement for optimum welding results. In addition, a blocked shielding gas supply may result in the welding torch being destroyed.

- Always re-fit the yellow protective cap when not using the shielding gas connection.
- All shielding gas connections must be gas tight.



Before connecting the pressure regulator to the gas cylinder, open the cylinder valve briefly to expel any dirt.

5.7.1.1 Connecting the shielding gas supply

- Secure the shielding gas cylinder using a securing chain.

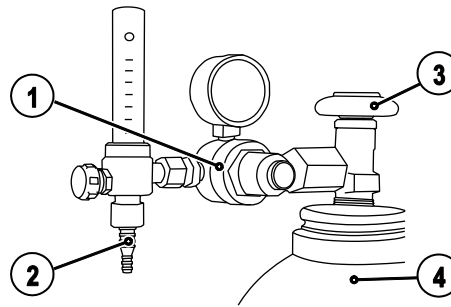


Figure 5-4

Item	Symbol	Description
1		Pressure regulator
2		Shielding gas cylinder
3		Output side of the pressure regulator
4		Cylinder valve

- Tighten the pressure regulator screw connection on the gas bottle valve to be gas-tight.
- Screw the shielding gas connection of the welding torch to the pressure reducer on the shielding gas cylinder.
- Slowly open the gas cylinder valve.
- Open the rotating valve on the welding torch

Before each welding process, the rotating valve must be opened; after the welding process, it must be closed.

- Set the required amount of shielding gas on the pressure reducer, about 4 - 15 l/min depending on the current strength and the material.

5.7.1.2 Connecting a TIG welding torch with rotating gas valve



Prepare welding torch according to the welding task in hand (see operating instructions for the torch).

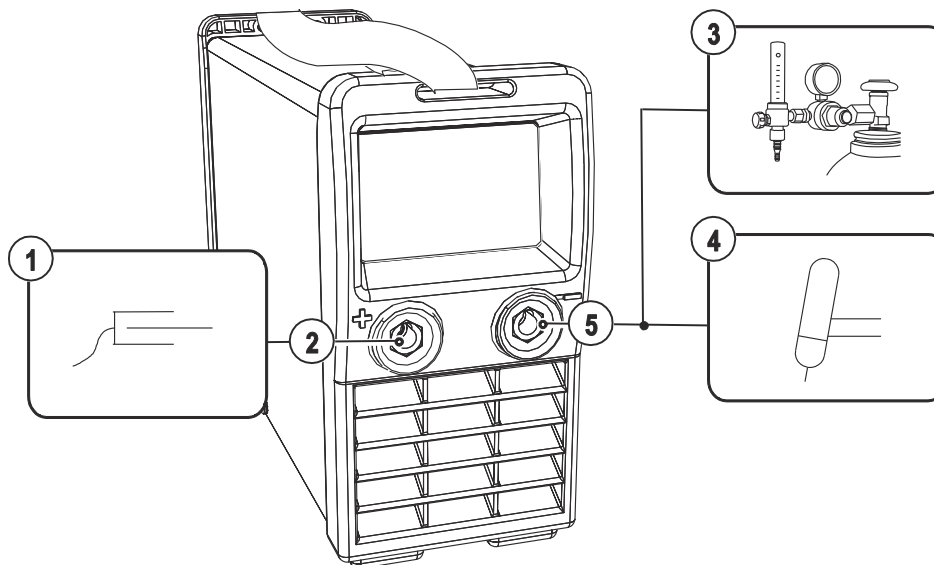


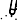
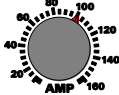



Figure 5-5

Item	Symbol	Description
1		Workpiece
2		Connection socket for "+" welding current Workpiece lead connection
3		Output side of the pressure regulator
4		Welding torch
5		Connection socket, "-" welding current Welding current lead connection for TIG welding torch

- Insert the cable plug on the work piece lead into the "+" welding current connection socket and lock by turning to the right.
- Insert the welding current plug on the welding torch into the welding current connection socket and lock by turning to the right.

5.7.2 TIG welding selection

Operating Element	Action	Result
		TIG  welding process selected
		Main current setting

5.7.2.1 TIG arc ignition

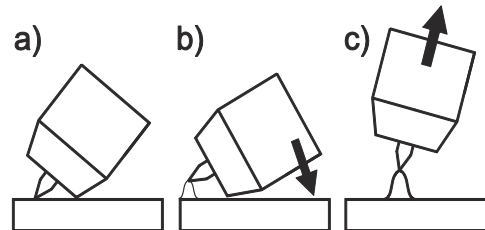


Figure 5-6

The arc is ignited on contact with the workpiece:

- Carefully place the torch gas nozzle and tungsten electrode tip onto the workpiece (lift arc current flowing, regardless of the main current set).
- Incline the torch towards the torch gas nozzle until there is a gap of approx. 2-3mm between the tip of the electrode and the workpiece (arc ignites, current increases to the main current set).
- Lift off the torch and swivel to the normal position.

Ending the welding process: Remove the torch from the workpiece until the arc goes out.

5.8 Machine variants

5.8.1 Voltage reducing device (VRD)

To increase safety, particularly in hazardous environments (like shipbuilding, pipe construction or mining), the machine is equipped with the VRD (Voltage-reducing device) .

The VRD signal light is illuminated, when the voltage reducing device is operating without fault and the output voltage is reduced to a value specified in the relevant standard.

5.8.2 Multi-voltage machine (MV)

MV series machines are equipped with an automatic adaptation feature, e.g. for national mains voltages- See 8 Technical data chapter.

5.9 Dirt filter



These accessory components can be retrofitted as an option - See 9 Accessories chapter.

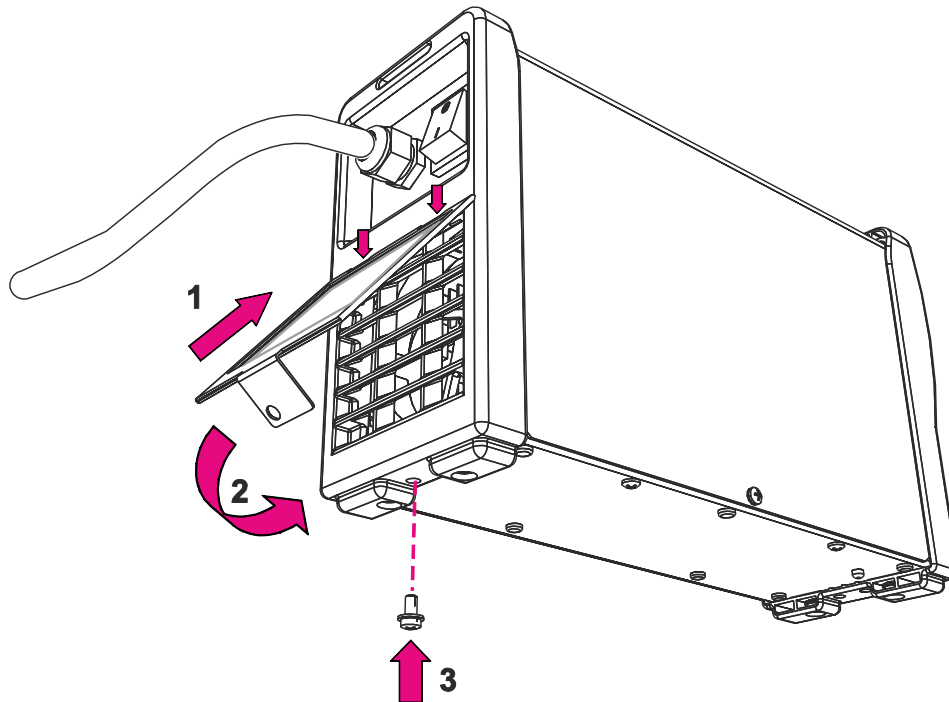


Figure 5-7

- As shown in the diagram, insert the dirt filter into the rear of the machine, above the air inlet, using both clips (1).
- Fold down the dirt filter (2).
- Fasten the dirt filter to the underside of the machine (3) using fixing screws.



The dirt filter can be used in places with unusually high levels of dirt and dust in the ambient air. The filter reduces the duty cycle of the welding machine via the reduced flow of cooling air. The filter must be disassembled and cleaned regularly depending on the level of dirt (blow out with compressed air).

6 Maintenance, care and disposal

DANGER



Improper maintenance and testing

The equipment may only be cleaned, repaired or tested by specialist, skilled persons! A skilled person is one who, due to training, knowledge and experience, is able to recognise the dangers that can occur during testing of this equipment as well as possible subsequent damage and who is able to implement the required safety procedures.

- Complete all tests given in the chapter below!
- Only put the equipment back into operation following a successful test.



Risk of injury from electric shock!

Cleaning machines that are not disconnected from the mains can lead to serious injuries!

- Disconnect the machine completely from the mains.
- Remove the mains plug!
- Wait for 4 minutes until the capacitors have discharged!

Repair and maintenance work may only be performed by qualified authorised personnel; otherwise the right to claim under warranty is void. In all service matters, always consult the dealer who supplied the machine. Return deliveries of defective equipment subject to warranty may only be made through your dealer. When replacing parts, use only original spare parts. When ordering spare parts, please quote the machine type, serial number and item number of the machine, as well as the type designation and item number of the spare part.

6.1 General

When used in the specified environmental conditions and under normal operating conditions, this machine is largely maintenance-free and requires a minimum of care.

There are some points, which should be observed, to guarantee fault-free operation of your welding machine. Among these are regular cleaning and checking as described below, depending on the pollution level of the environment and the length of time the unit is in use.

6.2 Maintenance work, intervals



6.2.1 Daily maintenance tasks

- Mains supply lead and its strain relief
- Welding current cables (check that they are fitted correctly and secured)
- Operating, message, safety and adjustment devices (Functional test)
- Other, general condition

6.2.2 Monthly maintenance tasks


- Casing damage (front, rear and side walls)
- Transport elements (strap, lifting lugs, handle)
- Selector switches, command devices, emergency stop devices, voltage reducing devices, message and control lamps

6.2.3 Annual test (inspection and testing during operation)

-  **The welding machine may only be tested by competent, capable persons!** A capable person is one who, because of his training, knowledge and experience, is able to recognise the dangers that can occur while testing welding power sources as well as possible subsequent damage and who is able to implement the required safety procedures.
-  **For more information refer to the "Warranty registration" brochure supplied and our information regarding warranty, maintenance and testing at www.ewm-group.com!**

A periodic test according to IEC 60974-4 "Periodic inspection and test" has to be carried out. In addition to the regulations on testing given here, the relevant local laws and regulations must also be observed.

6.3 Disposing of equipment

-  **Proper disposal!**
The machine contains valuable raw materials, which should be recycled, and electronic components, which must be disposed of.



- **Do not dispose of in household waste!**
- **Observe the local regulations regarding disposal!**

6.3.1 Manufacturer's declaration to the end user

- According to European provisions (guideline 2002/96/EG of the European Parliament and the Council of January, 27th 2003), used electric and electronic equipment may no longer be placed in unsorted municipal waste. It must be collected separately. The symbol depicting a waste container on wheels indicates that the equipment must be collected separately.
This machine is to be placed for disposal or recycling in the waste separation systems provided for this purpose.
- According to German law (law governing the distribution, taking back and environmentally correct disposal of electric and electronic equipment (ElektroG) from 16.03.2005), used machines are to be placed in a collection system separate from unsorted municipal waste. The public waste management utilities (communities) have created collection points at which used equipment from private households can be disposed of free of charge.
- Information about giving back used equipment or about collections can be obtained from the respective municipal administration office.
- EWM participates in an approved waste disposal and recycling system and is registered in the Used Electrical Equipment Register (EAR) under number WEEE DE 57686922.
- In addition to this, returns are also possible throughout Europe via EWM sales partners.

6.4 Meeting the requirements of RoHS

We, EWM AG Mündersbach, hereby confirm that all products supplied by us which are affected by the RoHS Directive, meet the requirements of the RoHS (Directive 2011/65/EU).

7 Rectifying faults

All products are subject to rigorous production checks and final checks. If, despite this, something fails to work at any time, please check the product using the following flowchart. If none of the fault rectification procedures described leads to the correct functioning of the product, please inform your authorised dealer.

7.1 Machine faults (error messages)

- Document machine errors and inform service staff as necessary.

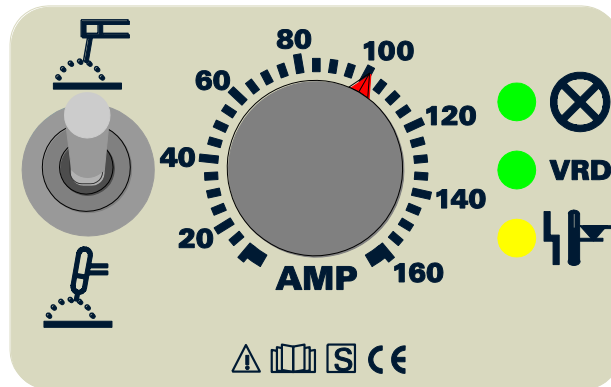


Figure 7-1

When the machine is switched on, the following operating conditions are displayed:

Signal light condition		Possible cause	Remedy
On		Normal operating condition Supply voltage is present and the machine is switched on.	-
Flashing		Excess mains voltage Supply voltage too high (e.g. with generator operation).	Check mains supply voltage and correct as necessary (replace generator if necessary).
VRD On (only with VRD machine versions)		Before welding	-
		During TIG welding	-
		During MMA welding	Switch off machine and contact Service.
VRD Not on (only with VRD machine versions)		Before welding The signal light is not illuminated before welding.	Switch off machine and contact Service.
		During TIG welding	Switch off machine and contact Service.
		During MMA welding	-
On		Excess temperature Machine duty cycle has been exceeded.	Place welding torch and electrode holder on an insulated surface and leave machine to cool down while it is still switched on.



Legend

	Normal operating condition
	Error



8 Technical data

 **Performance specifications and guarantee only in connection with original spare and replacement parts!**

8.1 Pico 162 (230 V)

	MMA	TIG
Welding current	10 A–150 A	10 A–160 A
Welding voltage	20.4 V–26.0 V	10.4 V–16.4 V
Duty cycle 25 °C	150 A (50%) 120 A (100%)	160 A (45%) 120 A (100%)
Duty cycle 40 °C	150 A/35% 120 A/60% 100 A/100%	160 A/30% 130 A/60% 100 A/100%
Load cycle	10 min. (60% DC Δ 6 min. welding, 4 min. pause)	
Open circuit voltage	105 V	
(VRD) open circuit voltage	33 V	
Mains voltage	1 x 230 V	
Mains voltage tolerance	-40% to +15%	
Mains voltage tolerance (Pico MV, 110 V)	-20% to +15%	
Frequency	50/60 Hz	
Mains fuse (safety fuse, slow-blow)	16 A	
Mains connection lead	H07RN-F3G2,5	
Max. connected load	6.4 kVA	4.6 kVA
Recommended generator rating	8.6 kVA	
cos ϕ /efficiency	0.99/86%	
Insulation class/protection classification	H/IP 23	
Ambient temperature	-25 °C to +40 °C	
Machine cooling/torch cooling	Fan/gas	
Workpiece lead	16 mm ²	
Dimensions L/W/H	430 mm x 115 mm x 225 mm	
Weight	6.9 kg (Pico 162; Pico 162 VRD) 7.1 kg (Pico 162 MV)	
EMC class	A	
Constructed to standard	IEC 60974-1, -10 /  /  AS 1674.2-2003, Category C (VRD)	

8.2 Pico 162 MV (115V)

	MMA	TIG
Welding current	10 A–110 A	10 A–120 A
Welding voltage	20.4 V–24.4 V	10.4 V–14.8 V
Duty cycle 25 °C	110 A/40% 90 A/60% 80 A/100%	120 A (60%) 110 A (100%)
Duty cycle 40 °C	110 A/35% 90 A/60% 80 A/100%	120 A (60%) 100 A (100%)
Load cycle	10 min. (60% DC Δ 6 min. welding, 4 min. pause)	
Open circuit voltage	105 V	
Mains voltage	1 x 115 V	
Mains voltage tolerance	-15% to +15%	
Frequency	50/60 Hz	
Mains fuse (safety fuse, slow-blow)	25 A	
Mains connection lead	H07RN-F3G2,5	
Max. connected load	4.5 kVA	3.2 kVA
Recommended generator rating	6.1 kVA	
cosϕ/efficiency	0.99/86%	
Insulation class/protection classification	H/IP 23	
Ambient temperature	-25 °C to +40 °C	
Machine cooling/torch cooling	Fan/gas	
Workpiece lead	16 mm ²	
Dimensions L/W/H	430 mm x 115 mm x 225 mm	
Weight	7.1 kg	
EMC class	A	
Constructed to standard	IEC 60974-1, -10 /  / 	

9 Accessories

9.1 Electrode holder / workpiece lead

Type	Designation	Item no.
EH16 QMM 4M	Electrode holder	094-005313-00000
WK16QMM 4M KL	Workpiece lead, clamp	094-005314-00000
ADAP 16/25-35 QMM	Welding current socket adapter, 16/25 to 35 mm ²	094-001780-00000

9.2 TIG welding torch

Type	Designation	Item no.
TIG 17 GDV 4M	TIG welding torch, rotary gas valve, gas-cooled, decentral	094-511623-00100
DMDIN TN 200B AR/MIX 35L	Manometer pressure regulator	094-000009-00000
GH 2X1/4" 2M	Gas hose	094-000010-00001

9.3 General accessories

Type	Designation	Item no.
CBP Pico 162	Transport case, empty	094-010324-00500
SCHUKO/16A	Safety plug	094-001756-00000
ADAP CEE16/SCHUKO	Earth contact coupling/CEE16A plug	092-000812-00000

9.4 Options

Type	Designation	Item no.
ON FILTER PICO162	Retrofit option, dirt filter for air inlet	092-002072-00000
ON Safeguard S	Insulating protective cover for Pico 162/Pico 162 MV	092-007879-00000

10 Appendix A

10.1 Overview of EWM branches

Headquarters

EWM AG
Dr. Günter-Henle-Straße 8
56271 Mündersbach · Germany
Tel: +49 2680 181-0 · Fax: -244
www.ewm-group.com · info@ewm-group.com

Technology centre

EWM AG
Forststraße 7-13
56271 Mündersbach · Germany
Tel: +49 2680 181-0 · Fax: -144
www.ewm-group.com · info@ewm-group.com



Production, Sales and Service

EWM AG
Dr. Günter-Henle-Straße 8
56271 Mündersbach · Germany
Tel: +49 2680 181-0 · Fax: -244
www.ewm-group.com · info@ewm-group.com

EWM HIGH TECHNOLOGY (Kunshan) Ltd.
10 Yuanshan Road, Kunshan · New & HI-tech Industry Development Zone
Kunshan City · Jiangsu · Post code 215300 · People's Republic of China
Tel: +86 512 57867-188 · Fax: -182
www.ewm.cn · info@ewm.cn · info@ewm-group.cn

EWM HIGHTEC WELDING s.r.o.
9. května 718 / 31
407 53 Jirkov · Czech Republic
Tel.: +420 412 358-551 · Fax: -504
www.ewm-jirkov.cz · info@ewm-jirkov.cz

Sales and Service Germany

EWM AG
Sales and Technology Centre
Grünauer Fenn 4
14712 Rathenow · Tel: +49 3385 49402-0 · Fax: -20
www.ewm-rathenow.de · info@ewm-rathenow.de

EWM AG
Rudolf-Winkel-Straße 7-9
37079 Göttingen · Tel: +49 551-3070713-0 · Fax: -20
www.ewm-goettingen.de · info@ewm-goettingen.de

EWM AG
Sachsstraße 28
50259 Pulheim · Tel: +49 2234 697-047 · Fax: -048
www.ewm-pulheim.de · info@ewm-pulheim.de

EWM AG
August-Horch-Straße 13a
56070 Koblenz · Tel: +49 261 963754-0 · Fax: -10
www.ewm-koblenz.de · info@ewm-koblenz.de

EWM AG
Eiserfelder Straße 300
57080 Siegen · Tel: +49 271 3878103-0 · Fax: -9
www.ewm-siegen.de · info@ewm-siegen.de

EWM HIGHTEC WELDING GmbH
Sales and Technology Centre
Draisstraße 2a
69469 Weinheim · Tel: +49 6201 84557-0 · Fax: -20
www.ewm-weinheim.de · info@ewm-weinheim.de

EWM Schweißtechnik Handels GmbH
Karlsdorfer Straße 43
88069 Tettang · Tel: +49 7542 97998-0 · Fax: -29
www.ewm-tettang.de · info@ewm-tettang.de

EWM Schweißtechnik Handels GmbH
Pfaffensteig 17
89143 Blaubeuren · Tel: +49 7344 9191-75 · Fax: -77
www.ewm-blaubeuren.de · info@ewm-blaubeuren.de

EWM Schweißtechnik Handels GmbH
Heinkelstraße 8
89231 Neu-Ulm · Tel: +49 731 7047939-0 · Fax: -15
www.ewm-neu-ulm.de · info@ewm-neu-ulm.de

Sales and Service International

EWM HIGHTEC WELDING GmbH
Wiesenstraße 27b
4812 Pinsdorf · Austria · Tel: +43 7612 778 02-0 · Fax: -20
www.ewm-austria.at · info@ewm-austria.at

EWM HIGH TECHNOLOGY (Kunshan) Ltd.
10 Yuanshan Road, Kunshan · New & HI-tech Industry Development Zone
Kunshan City · Jiangsu · Post code 215300 · People's Republic of China
Tel: +86 512 57867-188 · Fax: -182
www.ewm.cn · info@ewm.cn · info@ewm-group.cn

EWM HIGHTEC WELDING UK Ltd.
Unit 2B Coopies Way · Coopies Lane Industrial Estate
Morpeth · Northumberland · NE61 6JN · Great Britain
Tel: +44 1670 505875 · Fax: -514305
www.ewm-morpeth.co.uk · info@ewm-morpeth.co.uk

EWM HIGHTEC WELDING Sales s.r.o. / Prodejní a poradenské centrum
Tyršova 2106
256 01 Benešov u Prahy · Czech Republic
Tel: +420 317 729-517 · Fax: -712
www.ewm-benesov.cz · info@ewm-benesov.cz

 Plants

 Branches

● More than 400 EWM sales partners worldwide