



Barcode: 5060452080604

flambank™

Product code: FB1

- » Secure hazardous vault for storing hazardous goods safely.
- » Fully welded sump helps contain any leakages.
- » Ventilation allows airflow and helps prevent the build-up of fumes.



Product features



2x 5-lever deadlock



Gas strut (300N)



COSHH compliant



60L Sump capacity



Fire resistant



Lid safety stay

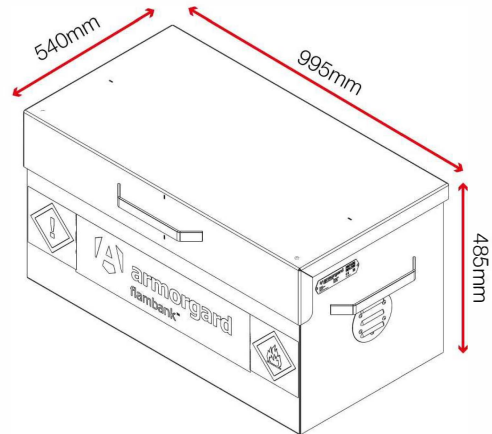


Safety signage

Product specifications

| | |
|----------------------------|--|
| Weight | 46kg |
| Colour | Traffic red: RAL 3020 |
| Suitable for | Outdoor storage of flammables or chemicals |
| Finished coating | Powder coated |
| Material & thickness | 2mm and 3mm steel |
| Quantity of keys | 2 keys |
| How are castors fitted? | Requires welding on or holes to be drilled to bolt them on |
| Other sizes available | 6 other sizes |
| Ventilation | Yes |
| Qty of shelves as standard | Not applicable |

Dimensions



Related products



FlamBank FB2



FlamBank FB21



TransBank TRB4



TransBank TRB6

