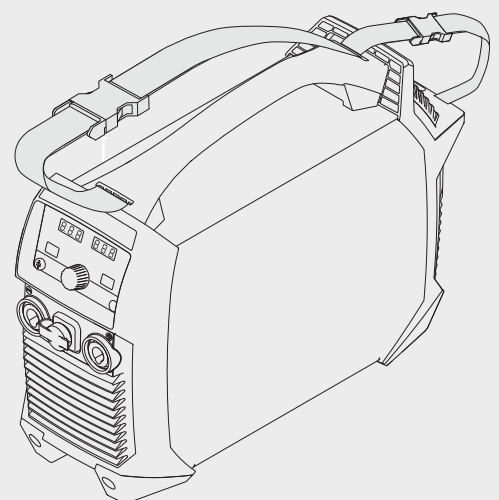




**TransTig 170**  
**TransTig 210**

EN-US Operating Instructions  
TIG Power source



42,0426,0308,EA 006-26082020



# Table of contents

Safety Instructions .....	7
Explanation of Safety Instructions.....	7
General.....	7
Intended Use.....	7
Environmental Conditions.....	8
Obligations of the Operating Company.....	8
Obligations of Personnel.....	8
Grid Connection.....	8
Residual current circuit breaker.....	9
Personal Protection and Protection of Others.....	9
Data regarding Noise Emission Values .....	10
Danger from toxic gases and vapors .....	10
Danger from Flying Sparks.....	10
Risks from grid current and welding current .....	11
Stray welding currents .....	12
EMC Device Classifications.....	12
EMC Measures .....	12
EMF measures.....	13
Particular hazard areas.....	13
Requirement for the shielding gas .....	14
Danger from Shielding Gas Cylinders.....	14
Danger Posed by Shielding Gas Leak.....	15
Safety Measures at the Setup Location and During Transport.....	15
Safety Measures in Normal Operation.....	15
Maintenance and repair .....	16
Safety Inspection .....	16
Disposal .....	17
Safety Symbols.....	17
Data backup.....	17
Copyright.....	17
<b>General information</b> .....	<b>19</b>
General .....	21
Device Concept.....	21
Operating Principle .....	21
Applications.....	21
Remote control operating mode.....	21
Warning notices on the device.....	22
<b>Operating controls and connections</b> .....	<b>25</b>
Control Panel .....	27
General .....	27
Safety.....	27
Control panel.....	27
Connections, Switches, and Mechanical Components .....	32
Operating Controls, Connections, and Mechanical Components .....	32
<b>Installation and Startup</b> .....	<b>33</b>
Minimum equipment for welding operations .....	35
General .....	35
TIG DC Welding.....	35
Manual Metal Arc Welding.....	35
Before installation and initial operation .....	36
Safety.....	36
Intended Use.....	36
Setup Regulations.....	36
Grid Connection.....	36

Generator-Powered Operation.....	37
Connecting the Mains Cable .....	38
General .....	38
Safety.....	38
Connecting the Mains Cable.....	38
Commissioning .....	39
Safety.....	39
General .....	39
Connecting the Gas Cylinder .....	39
Connecting the welding torch to the power source.....	40
Establishing a Ground Earth Connection with the Workpiece .....	40
Measuring the welding circuit resistance "r" .....	40
<b>Welding Mode</b> .....	<b>41</b>
TIG Operating Modes .....	43
Safety.....	43
Symbols and explanations.....	43
2-Step Mode .....	44
4-Step Mode .....	44
Spot Welding.....	45
TIG welding.....	46
Safety.....	46
Preparation .....	46
TIG welding.....	47
Welding parameters.....	48
Igniting the arc .....	50
Igniting the arc using high frequency(HF ignition).....	50
Contact Ignition for Welding Torch with Torch Trigger.....	51
Contact Ignition for Welding Torch without Torch Trigger.....	52
Igniting the arc using high-frequency contact(Touch-HF) .....	53
Overloading of the Tungsten Electrode .....	53
End of Welding.....	53
Special functions .....	54
Arc Break Monitoring Function.....	54
Ignition Time-Out Function.....	54
TIG pulsing.....	54
Tacking Function.....	55
Manual Metal Arc Welding .....	57
Safety.....	57
Preparation .....	57
Manual metal arc welding .....	58
Manual Metal Arc Welding with Cel Electrodes .....	58
Pulse Welding .....	58
Starting current >100% (HotStart) .....	60
Starting current <100% (SoftStart).....	60
Anti-Stick Function .....	61
<b>Setup Settings</b> .....	<b>63</b>
The Setup Menu .....	65
General .....	65
Accessing the Setup Menu .....	65
Adjusting Parameters.....	66
Overview.....	66
TIG Setup Menu.....	67
Parameters in the TIG Setup menu .....	67
Parameters in the TIG - 2nd level Setup menu.....	70
Parameters in the 2nd level Setup menu.....	75
Rod Electrode Setup Menu .....	77
Parameters in the Rod Electrode Setup Menu .....	77
<b>Troubleshooting and Maintenance</b> .....	<b>81</b>

Troubleshooting .....	83
General .....	83
Safety .....	83
Displayed Faults .....	83
Service messages .....	84
No Function .....	85
Inadequate function .....	86
Service, maintenance and disposal .....	88
General .....	88
Safety .....	88
At every start-up .....	88
Every two months .....	88
Disposal .....	89

**Appendix 91**

Technical data .....	93
Special Voltage .....	93
TT170 /EF, TT170 /np .....	93
TT 170 MV/B, TT 170 MV/np .....	95
TT 210 EF, TT 210 np .....	97
TT 210 MV/B, TT 210 MV/np .....	98
Explanation of Footnotes .....	99



# Safety Instructions

## Explanation of Safety Instructions



### **DANGER!**

Indicates an immediate danger.

- ▶ Death or serious injury may result if appropriate precautions are not taken.



### **WARNING!**

Indicates a possibly dangerous situation.

- ▶ Death or serious injury may result if appropriate precautions are not taken.



### **CAUTION!**

Indicates a situation where damage or injury could occur.

- ▶ Minor injury or damage to property may result if appropriate precautions are not taken.

### **NOTE!**

Indicates the possibility of flawed results and damage to the equipment.

## General

The device has been manufactured using state-of-the-art technology and according to recognized safety standards. If used incorrectly or misused, however, it can cause

- Injury or death to the operator or a third party
- Damage to the device and other material assets belonging to the operating company
- Inefficient operation of the equipment

All persons involved in the commissioning, operation, maintenance, and servicing of the device must

- Be suitably qualified
- Have knowledge of welding
- Have completely read and followed these Operating Instructions

The Operating Instructions must always be at hand wherever the device is being used. In addition to the Operating Instructions, all applicable local rules and regulations regarding accident prevention and environmental protection must also be followed.

All safety and danger notices on the device must

- Be kept in a legible state
- Not be damaged/marked
- Not be removed
- Not be covered, pasted, or painted over

For the location of the safety and danger notices on the device, refer to the section headed "General" in the Operating Instructions for the device.

Before switching on the device, remove any faults that could compromise safety.

**Your personal safety is at stake!**

## Intended Use

The device is to be used exclusively for its intended purpose.

The device is intended exclusively for the welding process specified on the rating plate. Utilization for any other purpose, or in any other manner, shall be deemed to be "not in accordance with the intended purpose." The manufacturer is not responsible for any damage resulting from improper use.

---

Proper use also means

- Completely reading and obeying all instructions in the Operating Instructions
  - Completely reading and obeying all safety instructions and danger notices
  - Carrying out all the specified inspection and servicing work
- 

Never use the device for the following applications:

- Thawing pipes
  - Charging batteries
  - Starting motors
- 

The device is designed for operation in industry and business. The manufacture shall not be liable for any damage resulting from use in a living area.

---

The manufacture shall also not be liable for faulty or incorrect work results.

---

### **Environmental Conditions**

Operation or storage of the device outside the stipulated area will be deemed as not in accordance with the intended purpose. The manufacturer accepts no liability for any damage resulting from improper use.

---

Temperature range of the ambient air:

- During operation: -10°C to +40°C (14°F to 104°F)
  - During transport and storage: -20°C to +55°C (-4°F to 131°F)
- 

Relative humidity:

- Up to 50% at 40°C (104°F)
  - Up to 90% at 20°C (68°F)
- 

Ambient air: free of dust, acids, corrosive gases or substances, etc.

Altitude above sea level: up to 2000 m (6561 ft. 8.16 in.)

---

### **Obligations of the Operating Company**

The operating company must only allow persons to work with the device if they

- Are familiar with the basic occupational safety and accident prevention regulations and are trained in handling the device
  - Have read and understood these Operating Instructions, especially the section "Safety Rules," and have confirmed this with their signature
  - Are trained according to the requirements for the work results
- 

The safety-conscious work of the personnel must be checked regularly.

---

### **Obligations of Personnel**

All persons who are assigned to work with the device must do the following before beginning the work:

- Follow the basic regulations for occupational safety and accident prevention
  - Read these Operating Instructions, especially the section "Safety Rules," and confirm that they have understood and will follow them by signing
- 

Before leaving the workplace, ensure that no personal injury or property damage can occur in one's absence.

---

### **Grid Connection**

Devices with a high output can influence the energy quality of the grid due to their current consumption.

---



This may affect a number of device types in terms of:

- connection restrictions
- criteria regarding maximum permissible grid impedance <sup>\*)</sup>
- criteria regarding the minimum required short-circuit power <sup>\*)</sup>

<sup>\*)</sup> both at the interface with the public grid

See technical data

---

In this case, the operator or the person using the device should check whether or not the device is allowed to be connected, where appropriate through discussion with the power supply company.

---

**IMPORTANT!** Ensure secure grounding of the grid connection!

---

### **Residual current circuit breaker**

Local regulations and national guidelines may mean that a residual current circuit breaker is required when connecting a device to the public grid. The residual current circuit breaker recommended for the device by the manufacturer can be found in the technical data.

---

### **Personal Protection and Protection of Others**

You are exposed to numerous hazards while handling the device, for example:

- Flying sparks and pieces of hot metal
- Arc radiation that poses a risk of injury to the eyes and skin
- Hazardous electromagnetic fields that pose a risk of death for individuals with pacemakers
- Electrical risks from grid current and welding current
- Increased noise exposure
- Harmful welding fumes and gases

---

Wear suitable protective clothing when dealing with the device. The protective clothing must have the following properties:

- Flame resistant
- Insulating and dry
- Covering the entire body and in good condition with no damage
- Safety helmet
- Cuffless pants

---

Protective clothing involves the following:

- Protecting the face and eyes from UV radiation, heat and flying sparks with a face guard featuring a regulation-compliant filter
- Wearing regulation-compliant protective goggles with side protection behind the face guard
- Wearing rigid, wet-insulating footwear
- Protecting hands with appropriate gloves (featuring electrical insulation and thermal protection)
- Wearing ear protection to reduce noise exposure and protect against injury

---

Keep persons, especially children, away during the operation of the devices and during the welding process. If persons are in the vicinity, however:

- Instruct them about all hazards (blinding hazard due to arcs, risk of injury from flying sparks, welding fumes hazardous to health, noise exposure, possible hazard due to grid current or welding current, etc.)
- Provide suitable protective equipment or
- Construct suitable protective walls and curtains.

---

**Data regarding  
Noise Emission  
Values**

The device produces a maximum noise level of <80 dB(A) (ref. 1pW) when idling and in the cooling phase following operation in relation to the maximum permitted operating point at standard loading in accordance with EN 60974-1.

---

A workplace-specific emission value for welding (and cutting) cannot be specified because this value depends on the welding process and the environmental conditions. It is influenced by a wide range of parameters, such as the welding process itself (MIG/MAG, TIG welding), the selected current type (direct current, alternating current), the power range, the type of weld metal, the resonance properties of the workpiece, the workplace environment, and many other factors.

---

**Danger from toxic  
gases and vapors**

The fumes produced during welding contain toxic gases and vapors.

---

Welding fumes contain substances that cause cancer, as stated in monograph 118 from the International Agency for Research on Cancer.

---

Use at-source extraction source and a room extraction system.  
If possible, use a welding torch with an integrated extraction device.

---

Keep your head out of the welding fumes and gases.

---

Take the following precautionary measures for fumes and harmful gases:

- Do not breathe them in.
- Extract them from the work area using appropriate equipment.

---

Ensure that there is a sufficient supply of fresh air. Ensure that there is a ventilation flow rate of at least 20 m<sup>3</sup> per hour.

---

Use a welding helmet with air supply if there is insufficient ventilation.

---

If there is uncertainty as to whether the extraction capacity is sufficient, compare the measured toxic emission values against the permissible limit values.

---

The following components are factors that determine how toxic the welding fumes are:

- The metals used for the workpiece
- Electrodes
- Coatings
- Cleaning agents, degreasers, and the like
- The welding process used

---

Consult the corresponding material safety data sheets and manufacturer's instructions for the components listed above.

---

Recommendations for exposure scenarios, risk management measures and identifying working conditions can be found on the European Welding Association website under Health & Safety (<https://european-welding.org>).

---

Keep flammable vapors (such as solvent vapors) out of the arc radiation range.

---

When no welding is taking place, close the valve of the shielding gas cylinder or the main gas supply.

---

**Danger from Fly-  
ing Sparks**

Flying sparks can cause fires and explosions.

---

Never undertake welding near flammable materials.

---

Flammable materials must be kept at least 11 meters (36 ft. 1.07 in.) from the arc or protected with a certified cover.

---

Keep suitable, tested fire extinguishers on hand.

---

Sparks and pieces of hot metal may also get into surrounding areas through small cracks and openings. Take appropriate measures to ensure that there is no risk of injury or fire.

Do not undertake welding in areas at risk of fire and explosion, or on sealed tanks, drums, or pipes if these have not been prepared in accordance with corresponding national and international standards.

Do not undertake welding on containers in which gases, fuels, mineral oils, and the like are/were stored. Residues pose a risk of explosion.

### Risks from grid current and welding current

An electric shock can be fatal.

Do not touch voltage-carrying parts inside or outside the device.

During MIG/MAG welding and TIG welding, the welding wire, the wirepool, the feed rollers, as well as all pieces of metal that are in contact with the welding wire, are live.

Always place the wirefeeder on a sufficiently insulated base or use a suitable insulating wirefeeder holder.

Ensure suitable personal protection with dry temporary backing or cover with sufficient insulation against the ground potential. The temporary backing or cover must completely cover the entire area between the body and the ground potential.

All cables and leads must be secured, undamaged, insulated, and adequately dimensioned. Replace loose connections and scorched, damaged, or inadequately dimensioned cables and leads immediately.

Before every use, check power connections for secure fit by hand.

In the case of power cables with bayonet connectors, turn the power cable by at least 180° around the longitudinal axis and pretension.

Do not wrap cables or leads around your body or parts of the body.

Concerning the electrode (rod electrode, tungsten electrode, welding wire, etc.)

- Never immerse it in liquids to cool it
- Never touch it when the power source is switched on.

The open circuit voltage of a welding system may double, for example, between the electrodes of two welding systems. Touching the potentials of both electrodes at the same time may be life-threatening in some cases.

Have the grid and device supply lead regularly inspected by an electrician to ensure that the ground conductor is functioning properly.

Protection class I devices require a grid with a ground conductor and a connector system with ground conductor contact for proper operation.

Operation of the device on a grid without a ground conductor and on a socket without a ground conductor contact is only permitted if all national regulations for protective separation are observed.

Otherwise, this is considered gross negligence. The manufacturer accepts no liability for any damage resulting from improper use.

Use suitable equipment to ensure that the workpiece is sufficiently grounded if necessary.

Switch off unused devices.

When working at elevated heights, wear a safety harness to prevent falls.

Before working on the device, switch off the device and remove the grid plug.

Secure the device to prevent the grid plug from being connected and switched on again by applying a clearly legible and understandable warning sign.

After opening the device:

- Discharge all electrically charged components
- Ensure that all components are disconnected from the power supply.

---

If work is needed on voltage-carrying parts, bring in a second person who will switch off the main switch at the correct time.

---

### **Stray welding currents**

If the following instructions are not observed, stray welding currents may occur, which pose a risk of the following:

- Fire
- Overheating of components connected to the workpiece
- Destruction of ground conductors
- Damage to the device and other electrical equipment

---

Ensure that the workpiece terminal is securely connected to the workpiece.

---

Secure the workpiece terminal as close to the spot to be welded as possible.

---

Position the device with sufficient insulation against electrically conductive environments, e.g., insulation against electrically conductive floors or electrically conductive mounts.

---

Observe the following when using electrical distributors, double-headed retainers, etc.: Even the electrode of the welding torch/electrode holder not in use carries electric potential. Ensure that there is sufficient insulation when the unused welding torch/electrode holder is stored.

---

In automated MIG/MAG applications, only guide the wire electrode from the welding wire drum, large spool or wirepool to the wirefeeder with insulation.

---

### **EMC Device Classifications**

Devices in emission class A:

- Are only designed for use in industrial settings
- Can cause line-bound and radiated interference in other areas

---

Devices in emission class B:

- Satisfy the emissions criteria for residential and industrial areas. This is also true for residential areas in which the energy is supplied from the public low-voltage grid.

---

EMC device classification as per the rating plate or technical data.

---

### **EMC Measures**

In certain cases, even though a device complies with the standard limit values for emissions, it may affect the application area for which it was designed (e.g., when there is sensitive equipment at the same location, or if the site where the device is installed is close to either radio or television receivers).

If this is the case, then the operating company is obliged to take appropriate action to rectify the situation.

---

Test and assess the immunity of equipment in the vicinity of the device in accordance with national and international provisions. Examples of interference-prone equipment that could be affected by the device:

- Safety devices
  - Grid power lines, signal lines and data transfer lines
  - EMC and telecommunications equipment
  - Devices for measuring and calibrating
-

Supporting measures to avoid EMC problems:

1. Grid power supply
  - If electromagnetic interference occurs despite a grid connection that complies with regulations, take additional measures (e.g., use a suitable grid filter).
2. Welding power-leads
  - Keep them as short as possible
  - Route them close together (also to avoid EMF problems)
  - Route them far from other lines
3. Equipotential bonding
4. Workpiece grounding
  - If necessary, establish grounding using suitable capacitors
5. Shield, if necessary
  - Shield other devices in the vicinity
  - Shield the entire welding installation

### EMF measures

Electromagnetic fields may cause health problems that are not yet known:

- Effects on the health of persons close by, e.g., those with pacemakers and hearing aids
- Persons with pacemakers must seek advice from their doctor before staying in the immediate vicinity of the device and the welding process
- Keep distances between welding cables and the head/torso of the welder as large as possible for safety reasons
- Do not carry welding cables and hosepacks over one's shoulder or wrap them around one's body or body parts

### Particular hazard areas

Keep hands, hair, loose clothing, and tools away from moving parts, such as:

- Fans
- Gears
- Rollers
- Shafts
- Wirespools and welding wires

Do not reach into rotating gears of the wire drive or into rotating drive parts.

Covers and side parts must only be opened/removed during maintenance and repair work.

During operation

- Ensure that all covers are closed, and all side parts have been mounted properly.
- Keep all covers and side parts closed.

The protrusion of welding wire from the welding torch represents a high risk of injury (cuts to the hand, facial and eye injuries, etc.)

Therefore always hold the welding torch away from the body (devices with wirefeeder) and use suitable protective goggles.

Do not touch the workpiece during or after welding—burning hazard.

Slag may fly off cooling workpieces. Therefore, also wear regulation-compliant protective equipment when reworking workpieces and ensure that other persons are sufficiently protected.

Leave the welding torch and other parts with a high operating temperature to cool before working on them.

Special regulations apply in areas at risk of fire or explosion  
—follow the appropriate national and international regulations.

Power sources for work in areas with increased electrical hazard (e.g. boilers) must be labeled with the symbol (Safety). However, the power source may not be located in such areas.

---

Risk of scalding due to leaking coolant. Switch off the cooling unit before disconnecting connections for the coolant supply or return.

---

When handling coolant, observe the information on the coolant safety data sheet. The coolant safety data sheet can be obtained from your service center or via the manufacturer's website.

---

In the event of crane attachment of the wirefeeder during welding, always use a suitable, insulating wirefeeder hoisting attachment (MIG/MAG and TIG devices).

---

If the device is equipped with a carrier belt or handle, then this is used exclusively for transport by hand. The carrier belt is not suitable for transport by crane, counterbalanced lift truck or other mechanical lifting tools.

---

All lifting equipment (belts, buckles, chains, etc.), which is used in association with the device or its components, must be checked regularly (e.g. for mechanical damage, corrosion, or changes due to other environmental influences).

The test interval and scope must at least comply with the respective valid national standards and guidelines.

---

There is a risk of colorless, odorless shielding gas escaping without notice if an adapter is used for the shielding gas connection. Use suitable Teflon tape to seal the thread of the shielding gas connection adapter on the device side before installation.

---

---

### **Requirement for the shielding gas**

Especially with ring lines, contaminated shielding gas can cause damage to equipment and reduce welding quality.

Meet the following requirements regarding shielding gas quality:

- Solid particle size < 40 µm
  - Pressure condensation point < -20 °C
  - Max. oil content < 25 mg/m<sup>3</sup>
- 

Use filters if necessary.

---

---

### **Danger from Shielding Gas Cylinders**

Shielding gas cylinders contain compressed gas and may explode if damaged. Shielding gas cylinders are an integral part of the welding equipment, so they must be handled very carefully.

---

Protect shielding gas cylinders with compressed gas from excessive heat, mechanical impact, slag, open flames, sparks, and arcs.

---

Mount the shielding gas cylinders vertically and secure them in accordance with instructions so they cannot fall over.

---

Keep shielding gas cylinders away from welding or other electrical circuits.

---

Never hang a welding torch on a shielding gas cylinder.

---

Never touch a shielding gas cylinder with an electrode.

---

Risk of explosion: Never weld on a compressed shielding gas cylinder.

---

Always use suitable shielding gas cylinders for the application in question and the correct matching accessories (controller, hoses, and fittings, etc.) Only use shielding gas cylinders and accessories that are in good condition.

---

If a valve on a shielding gas cylinder is open, turn your face away from the outlet.

---

When no welding is taking place, close the valve of the shielding gas cylinder.

Leave the cap on the valve of the shielding gas cylinder when the cylinder is not connected.

Follow the manufacturer's instructions and applicable national and international provisions for shielding gas cylinders and accessories.

**Danger Posed by Shielding Gas Leak**

Risk of asphyxiation due to uncontrolled shielding gas leak

Shielding gas is colorless and odorless and may suppress the oxygen in the ambient air in the event of leakage.

- Ensure there is a sufficient supply of fresh air with a ventilation flow rate of at least 20 m<sup>3</sup> per hour.
- Please observe the safety and maintenance information for the shielding gas cylinder or the main gas supply.
- When no welding is taking place, close the valve of the shielding gas cylinder or the main gas supply.
- Always check the shielding gas cylinder or main gas supply for uncontrolled gas leakage before each start-up.

**Safety Measures at the Setup Location and During Transport**

A toppling device can be deadly! Set up the device securely on an even, solid surface

- The maximum permitted tilt angle is 10°.

Special regulations apply in areas at risk of fire or explosion

- Follow the appropriate national and international regulations.

Use instructions and checks within the company to ensure that the vicinity of the workplace is always clean and organized.

Only set up and operate the device in accordance with the protection class shown on the rating plate.

When setting up the device, ensure that there is an all-round clearance of 0.5 m (1 ft. 7.69 in.) to allow cooling air to circulate unhindered.

Take care to ensure that the applicable national and regional guidelines and accident prevention regulations are observed when transporting the device, especially guidelines concerning hazards during transport and shipment.

Do not lift or transport any active devices. Switch off devices before transport or lifting.

Before transporting the device, completely drain the coolant and dismantle the following components:

- wirefeeder
- wirespool
- shielding gas cylinder

It is essential to conduct a visual inspection of the device to check for damage after it has been transported but before commissioning. Have any damage repaired by trained service technicians before commissioning the device.

**Safety Measures in Normal Operation**

Only operate the device when all safety devices are fully functional. If the safety devices are not fully functional, there is a danger of:

- Injury or death to the operator or a third party
- Damage to the device and other material assets belonging to the operating company
- Inefficient operation of the device

Safety devices that are not fully functional must be repaired before the device is switched on.

---

Never bypass or disable safety devices.

---

Before switching on the device, ensure that no one can be put in danger.

---

The device must be examined at least once a week for externally detectable damage and functionality of the safety devices.

---

Always secure the shielding gas cylinder well and remove before transporting by crane.

---

Only the original coolant from the manufacturer is suitable for use in our devices due to its properties (electrical conductivity, anti-freeze, material compatibility, flammability, etc.)

---

Only use appropriate original coolant from the manufacturer.

---

Do not mix original coolant from the manufacturer with other coolants.

---

Only connect system components from the manufacturer to the cooling unit circuit.

---

If there is damage due to use of other system components or other coolants, the manufacturer accepts no liability for this and all warranty claims are forfeited.

---

Cooling Liquid FCL 10/20 is not flammable. The ethanol-based coolant is flammable in certain conditions. Only transport the coolant in closed original containers and keep away from sources of ignition.

---

Properly dispose of used coolant according to national and international regulations. The coolant safety data sheet can be obtained from your service center or via the manufacturer's website.

---

When the system is cool, always check the coolant level before starting welding.

---

---

## **Maintenance and repair**

It is impossible to guarantee that bought-in parts are designed and manufactured to meet the demands made of them, or that they satisfy safety requirements.

- Use only original spare and wearing parts (also applies to standard parts).
  - Do not carry out any modifications, alterations, etc. to the device without the manufacturer's consent.
  - Components that are not in perfect condition must be replaced immediately.
  - When ordering, please give the exact designation and part number as shown in the spare parts list, as well as the serial number of your device.
- 

The housing screws provide the ground conductor connection for earthing the housing parts.

Only use original housing screws in the correct number and tightened to the specified torque.

---

---

## **Safety Inspection**

The manufacturer recommends that a safety inspection of the device be performed at least every 12 months.

---

The manufacturer recommends calibrating power sources within the same 12-month interval.

---

A safety inspection by a certified electrician is recommended:

- After changes
  - After alterations
  - After repair, care, and maintenance
  - At least every 12 months
-



For the safety inspection, follow the appropriate national and international standards and guidelines.

---

You can obtain more information about the safety inspection and calibration from your service center. The service center will provide the necessary documents upon request.

---

**Disposal**

Do not dispose of this device with normal domestic waste! To comply with the European Directive on Waste Electrical and Electronic Equipment and its implementation as national law, electrical equipment that has reached the end of its life must be collected separately and returned to an approved recycling facility. Any device that you no longer require must be returned to your dealer, or you must locate the approved collection and recycling facilities in your area. Ignoring this European Directive may have potentially adverse effects on the environment and your health!

---

**Safety Symbols**

Devices with the CE label satisfy the essential requirements of the low-voltage and electromagnetic compatibility directive (e.g. relevant product standards of the EN 60974 series).

Fronius International GmbH declares that the device complies with Directive 2014/53/EU. The full text of the EU Declaration of Conformity is available on the following website: <http://www.fronius.com>

---

Devices marked with the CSA test mark satisfy the requirements of the relevant standards for Canada and the USA.

---

**Data backup**

The user is responsible for backing up any changes made to the factory settings. The manufacturer accepts no liability for any deleted personal settings.

---

**Copyright**

Copyright of these Operating Instructions remains with the manufacturer.

---

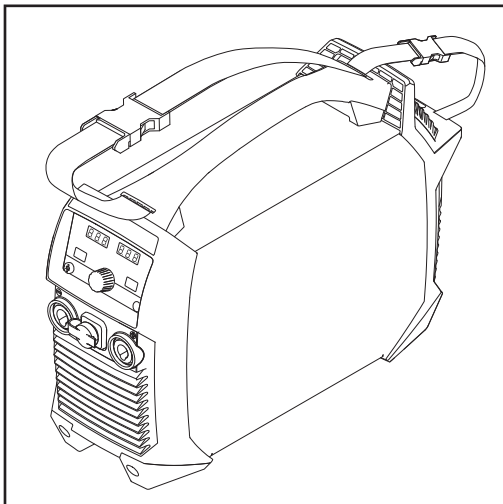
Text and illustrations were accurate at the time of printing. Fronius reserves the right to make changes. The contents of the Operating Instructions shall not provide the basis for any claims whatsoever on the part of the purchaser. If you have any suggestions for improvement, or can point out any mistakes that you have found in the Operating Instructions, we will be most grateful for your comments.



# **General information**



## Device Concept



The TransTig 170 and TransTig 210 TIG power sources are microprocessor-controlled inverter power sources.

A modular design and easy ability to extend the system guarantee a high degree of flexibility.

The power sources are generator-compatible and are equipped with protected operating elements and a robust plastic housing.

As a result of the simple operating concept, key functions can be quickly viewed and adjusted.

The power source can also be operated via the standard TIG Multi Connector with various remote controls or an Up/Down torch.

The TIG pulsed arc function means that the power source offers a wide frequency range.

Additionally, the power source offers "Power Factor Correction", meaning the current consumption of the power source adapts to the sinusoidal grid voltage. This results in advantages such as:

- Low primary current
- Low conductivity losses
- Late tripping of the power circuit breaker
- Improved stability during voltage fluctuations
- Compatibility with long grid leads
- Consistent input voltage range with multivoltage devices

## Operating Principle

The central control unit of the power source controls the entire welding process. During the welding process, actual values are continually measured and any changes are immediately responded to. Control algorithms ensure that the desired status is maintained.

This results in:

- A precise welding process,
- A high degree of reproducibility on all results
- Excellent weld properties.

## Applications

The power source can be used in repair and maintenance for production and manufacturing tasks.








## Remote control operating mode

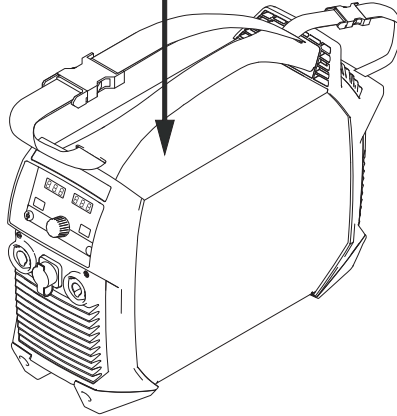
The TransTig 170 and TransTig 210 power sources can be operated using the following remote controls:

- RC Bar 1P
- RC Panel MMA
- RC Pedal TIG
- RC Panel Basic TIG

**Warning notices on the device**

Warning notices and safety symbols can be found on power sources with the CSA test mark for use in the North American region (USA and Canada). These warning notices and safety symbols must not be removed or painted over. They warn against incorrect operation, as this may result in serious injury and property damage.

<b>! WARNING</b>			<b>ARC RAYS can burn eyes and skin; NOISE can damage hearing.</b> <ul style="list-style-type: none"> <li>Wear welding helmet with correct filter.</li> <li>Wear correct eye, ear and body protection.</li> </ul>	Read American National Standard Z49.1, "Safety in Welding and Cutting" From American Welding Society, 550 N.W. LeJeune Rd., Miami, FL 33126; OSHA Safety and Health Standards, 29 CFR 1910, from U.S. Government Printing Office, Washington, DC 20402. CSA, W117-2 MB7 Code for Safety in Welding and Cutting.
<b>Do not Remove, Destroy, Or Cover This Label</b>			<b>EXPLODING PARTS can injure.</b> <ul style="list-style-type: none"> <li>Failed parts can explode or cause other parts to explode when power is applied.</li> <li>Always wear a face shield and long sleeves when servicing.</li> </ul>	
<b>ARC WELDING can be hazardous.</b> <ul style="list-style-type: none"> <li>Read and follow all labels and the Owner's Manual carefully</li> <li>Only qualified persons are to install, operate, or service this unit according to all applicable codes and safety practices.</li> <li>Keep children away.</li> <li>Pacemaker wearers keep away.</li> <li>Welding wire and drive parts may be at welding voltage.</li> </ul>			<b>ELECTRIC SHOCK can kill; SIGNIFICANT DC VOLTAGE exists after removal of input power</b> <ul style="list-style-type: none"> <li>Always wait 60 seconds after power is turned off before working on unit.</li> <li>Check input capacitor voltage, and be sure it is near 0 before touching parts.</li> </ul>	
	<b>ELECTRIC SHOCK can kill.</b> <ul style="list-style-type: none"> <li>Always wear dry insulating gloves.</li> <li>Insulate yourself from work and ground.</li> <li>Do not touch live electrical parts.</li> <li>Disconnect input power before servicing.</li> <li>Keep all panels and covers securely in place.</li> </ul>	<b>! AVERTISSEMENT</b>		
	<b>FUMES AND GASES can be hazardous.</b> <ul style="list-style-type: none"> <li>Keep your head out of the fumes.</li> <li>Ventilate area, or use breathing device.</li> <li>Read Material Safety Data Sheets (MSDSs) and manufacturer's instructions for materials used.</li> </ul>		<b>UN CHOC ELECTRIQUE peut etre mortel.</b> <ul style="list-style-type: none"> <li>Installation et raccordement de cette machine doivent etre conformes a tous les pertinents.</li> </ul> <b>SOUDAGE A L'ARC peut etre hasardeux.</b> <ul style="list-style-type: none"> <li>Lire le manuel d'instructions avant utilisation.</li> <li>Ne pas installer sur une surface combustible.</li> <li>Les fils de soudage et pieces conductrices peuvent etre a la tension de soudage.</li> </ul>	
	<b>WELDING can cause fire or explosion.</b> <ul style="list-style-type: none"> <li>Do not weld near flammable material.</li> <li>Watch for fire: keep extinguisher nearby.</li> <li>Do not locate unit over combustible surfaces.</li> <li>Do not weld on closed containers.</li> </ul>			



\* MV power sources: 1 ~ 120 - 230 V

Safety symbols on the rating plate:



Welding is dangerous. The following basic requirements must be met:

- Adequate welding qualifications
- Appropriate protective equipment
- Exclusion of unauthorized persons



Do not use the functions described here until you have fully read and understood the following documents:

- These Operating Instructions
- All system component Operating Instructions, especially the safety rules





# **Operating controls and connections**



# Control Panel

## General

**NOTE!**

Because of software updates, certain functions may be available for your device but not described in these Operating Instructions or vice versa.

In addition, individual figures may also differ slightly from the operating elements of your device. However, the function of these operating elements is identical.

## Safety

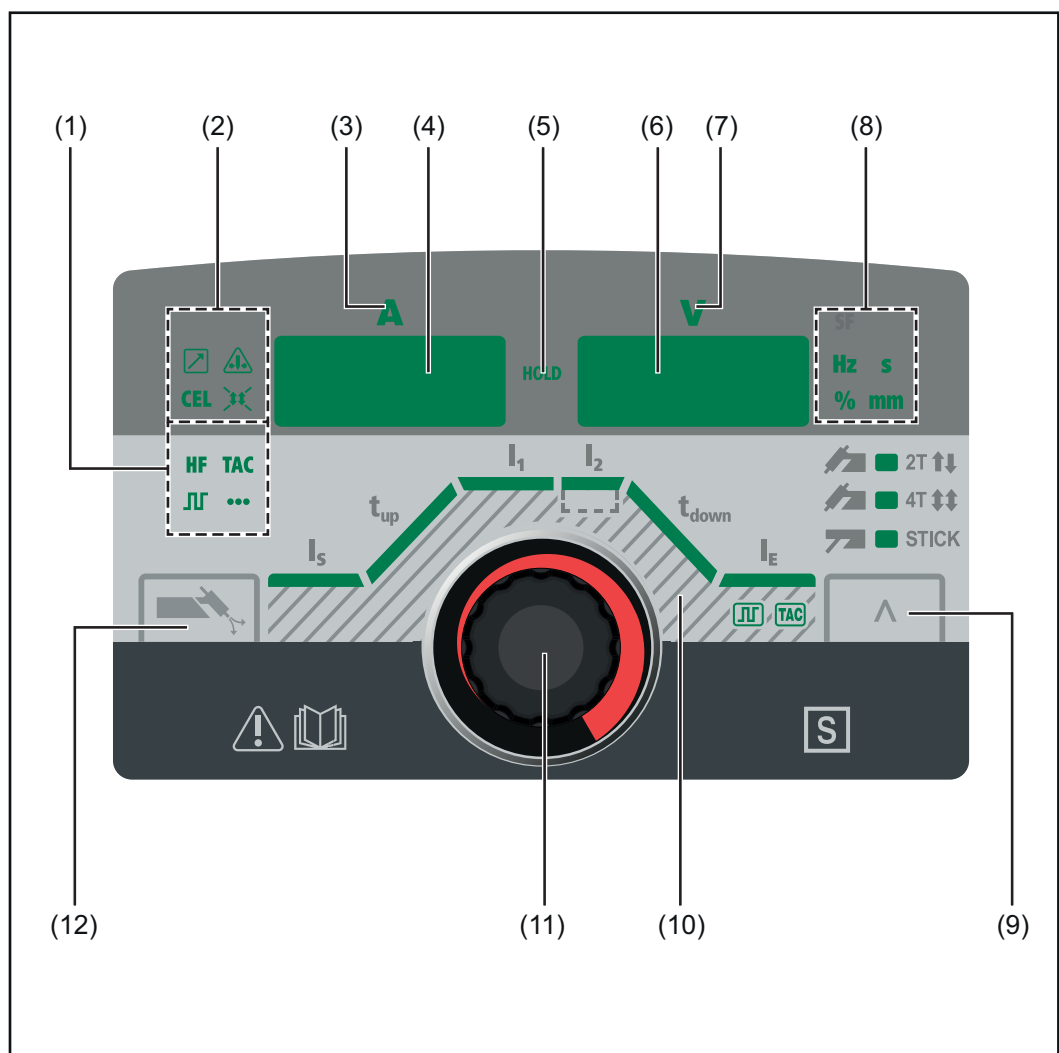
**WARNING!**









**Danger due to incorrect operation.**

This can result in severe personal injury and damage to property.

- ▶ Do not use the functions described here until you have fully read and understood the Operating Instructions.
- ▶ Do not use the functions described here until you have fully read and understood all of the Operating Instructions of the system components, especially the safety rules.

## Control panel



Item	Name
(1)	<p><b>Special indicators</b></p> <p> <b>HF ignition indicator (high frequency ignition)</b> Illuminates when the "IGn" setup parameter has been set to "on"</p> <p> <b>Tacking indicator</b> Illuminates when the "tAC" setup parameter has been set to a period of time</p> <p> <b>Pulsing indicator</b> Illuminates when the "F-P" setup parameter has been set to a pulse frequency</p> <p> <b>Spot welding indicator</b> Illuminates when the "SPt" setup parameter has been set to a spot welding time</p>
(2)	<p><b>Special indicators</b></p> <p> <b>Remote control indicator</b> Illuminates when a foot-operated remote control is connected</p> <p> <b>Electrode overloaded indicator</b> Illuminates when the tungsten electrode is overloaded Further information related to the "electrode overloaded" indicator can be found in the "TIG welding" section of the "Welding mode" chapter</p> <p> <b>CEL indicator</b> Illuminates when the "CEL" setup parameter has been set to "on"</p> <p> <b>Trigger indicator</b> Illuminates when the "tri" setup parameter has been set to "off"</p>
(3)	<p><b>Welding current display</b></p> <p>To display the welding current for the parameters:</p> <ul style="list-style-type: none"> <li>- Starting current <math>I_S</math></li> <li>- Welding current <math>I_1</math></li> <li>- Lowering current <math>I_2</math></li> <li>- Final current <math>I_E</math></li> </ul> <p>Before the start of welding, the left digital display shows the set value. For <math>I_S</math>, <math>I_2</math>, and <math>I_E</math>, the right digital display also indicates the % amount of the welding current <math>I_1</math>.</p> <p>After the start of welding, the left digital display shows the current actual value of the welding current.</p> <p>The relevant parameters in the welding process are shown by the illuminated segment in the welding parameter overview (10)</p>
(4)	<p><b>Left digital display</b></p>

---

**(5) HOLD indicator**

At the end of welding, the current actual values for the welding current and welding voltage are saved - the "hold" indicator illuminates.

The "hold" indicator relates to the last main current  $I_1$  to be reached. Any further interaction with the power source will cause the "hold" indicator to go out.

**IMPORTANT!** No hold values are output if the main current phase has never been reached.

---

**(6) Right digital display**

---

**(7) Welding voltage indicator**

Illuminates when parameter "I<sub>1</sub>" is selected.

During welding, the current actual value of the welding voltage is shown on the right digital display.

Before welding, the right digital display shows:

- 0.0 for selected TIG welding operating modes
  - Current value of the open circuit voltage if the setup parameter "tri" is set to "off" or if the manual metal arc welding mode is selected (after a delay of 3 seconds; 93 V is approximately the average value of the pulsed open circuit voltage)
- 

**(8) Unit indicators****S****s indicator**

Illuminates if the parameters "tup" and "tdown" have been selected, as well as the following setup parameters:

GPr | GPo | SPt | tAC | t-S | t-E | Hti | Ito | ArC | St1 | St2 | SPb

**Hz****Hz indicator**

Illuminates:

When a value for the pulse frequency has been set for the "F-P" setup parameter  
If the "F-P" setup parameter is selected.

**%****% indicator**

Illuminates when parameters "I<sub>S</sub>", "I<sub>2</sub>" and "I<sub>E</sub>" have been selected, as well as the setup parameters "dcY", "I-G", and "HCU"

**mm****mm indicator**

Illuminates when the "ELd" setup parameter is set

- (9) **"Mode" button**  
For selecting the operating mode



2-step mode



4-step mode



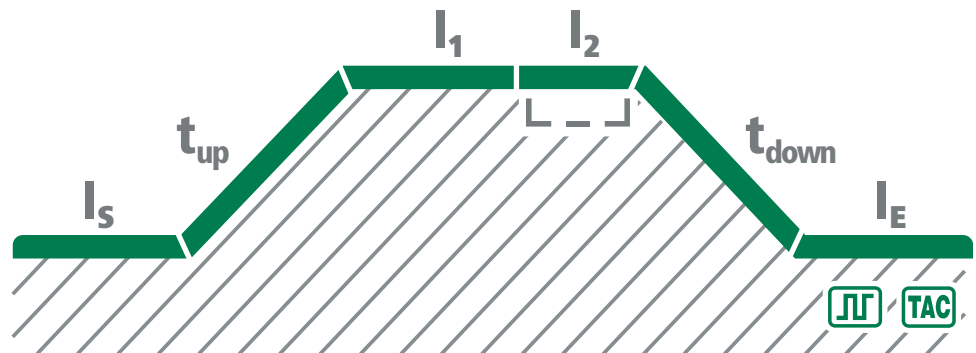
Manual metal arc welding

When an operating mode is selected, the corresponding LED lights up.

If the "Trigger" parameter is set to "oFF" in the Setup menu or a foot-operated remote control is connected, the 2T and 4T LEDs light up at the same time.

- (10) **Welding parameter overview**

The welding parameter overview contains the most important welding parameters for the welding operation. The welding parameter sequence is depicted by a "washing line" structure. Navigation within the welding parameter overview is carried out by turning the selection dial.



The welding parameter overview contains the following welding parameters:

**Starting current  $I_s$**

For TIG welding

**UpSlope  $t_{up}$**

Period of time it takes to rise from the starting current  $I_s$  to the specified main current  $I_1$  during TIG welding

t-u for the UpSlope is displayed on the left digital display.

**IMPORTANT!** The UpSlope  $t_{up}$  is saved separately for the following operating modes:

- 2-step mode
- 4-step mode
- When the "Trigger" setup parameter is set to "oFF"
- When a foot-operated remote control has been connected

**Main current (welding current)  $I_1$** 

- For TIG welding
- For manual metal arc welding

**Lowering current  $I_2$** 

For TIG 4-step mode

**DownSlope  $t_{\text{down}}$** 

Period of time it takes to fall from the specified main current  $I_1$  to the final current  $I_E$  during TIG welding

t-d for the DownSlope is displayed on the left digital display.

**IMPORTANT!** The DownSlope  $t_{\text{down}}$  is saved separately for the following operating modes:

- 2-step mode
- 4-step mode
- When the "Trigger" setup parameter is set to "oFF"

**Final current  $I_E$** 

For TIG welding

**Pulses \*)**

Pulse frequency for TIG welding

**Tacking \*)**

Duration of the pulsed welding current

\*)

The pulsing and tacking parameters are only displayed if the setup parameter "Ptd - pulse TAC display" is set to "on".

---

**(11) Selection dial with rotary/push button function**

For selecting elements, setting values, and scrolling through lists

---

**(12) Gas-test button**

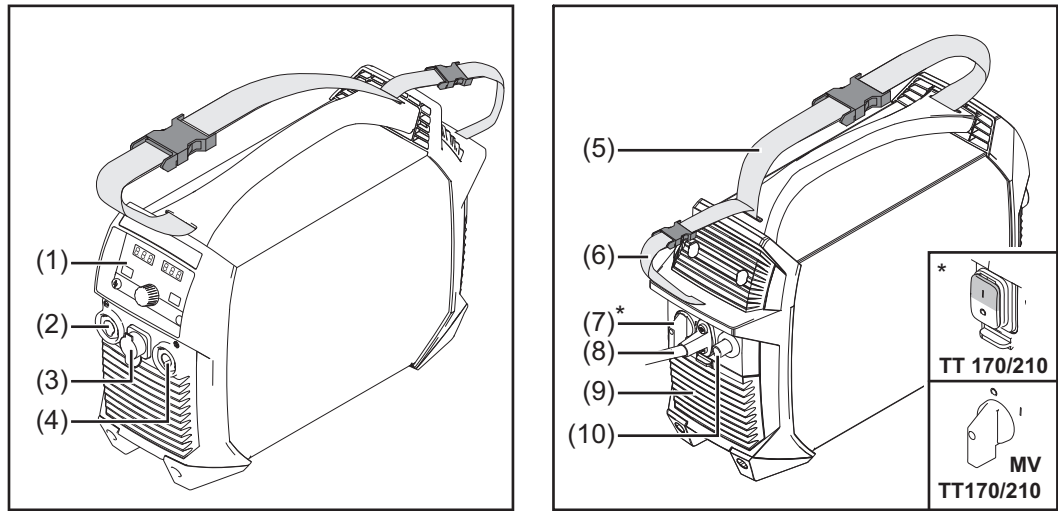
For setting the required shielding gas volume on the pressure regulator

When the gas-test button is pressed, shielding gas will flow for 30 s. Press the button again or start welding to stop the gas flow prematurely.

---

# Connections, Switches, and Mechanical Components

## Operating Controls, Connections, and Mechanical Components



(1) **Control panel**

(2) **(-) Current socket with integrated gas connection**

For connecting:  
the TIG welding torch  
the electrode cable during manual metal arc welding

(3) **TMC connection (TIG Multi Connector)**

For connecting the control plug of the TIG welding torch  
For connecting foot remote controls  
For connecting remote controls for manual metal arc welding

(4) **(+) Current socket with bayonet latch**

Connect the grounding cable here

(5) **Carry strap**

(6) **Cable strap**

To hold the mains cable and the welding power-leads

**IMPORTANT!** Do not use the cable strap to transport the device!

(7) **Mains switch**

(8) **Mains cable with strain relief**

For MV devices: mains cable to plug in  
(see "Connecting the Mains Cable" on page 38)

(9) **Air filter**

(10) **Shielding gas connection socket**



# **Installation and Startup**



# Minimum equipment for welding operations

---

## General

Depending on the welding process, a minimum level of equipment is required to work with the power source.

The following describes the welding processes and the corresponding minimum equipment for welding operations.

---

## TIG DC Welding

- Power source
  - Grounding cable
  - TIG welding torch with or without rocker switch
  - Gas connection (shielding gas supply)
  - Filler metal depending on application
- 

## Manual Metal Arc Welding

- Power source
- Grounding cable
- Electrode holder
- Rod electrodes, depending on application

# Before installation and initial operation

---

## Safety



### WARNING!

#### **Danger due to incorrect operation.**

This can result in severe personal injury and damage to property.

- ▶ Do not use the functions described here until you have fully read and understood the Operating Instructions.
  - ▶ Do not use the functions described here until you have fully read and understood all of the Operating Instructions of the system components, especially the safety rules.
- 

## Intended Use

The power source is intended exclusively for TIG welding and manual metal arc welding. Any other use does not constitute proper use. The manufacturer accepts no responsibility for any damage resulting from improper use.

Intended use also means

- Following all the instructions in these Operating Instructions
  - Carrying out all the specified inspection and servicing work
- 

## Setup Regulations

The device has been tested according to degree of protection IP 23. This means:

- Protection against penetration by solid foreign bodies with diameters > 12.5 mm (0.49 in.)
- Protection against spraywater at any angle up to 60° from the vertical

The device can be set up and operated outdoors in accordance with degree of protection IP 23.

Direct moisture (e.g., from rain) must be avoided.



### WARNING!

#### **Toppling or falling devices can be deadly.**

- ▶ Place devices on a solid, level surface so that they remain stable.
- 

The ventilation channel is a very important safety device. When selecting the setup location, ensure that the cooling air can enter or exit unhindered through the vents on the front and back. Any electrically conductive dust (e.g. from grinding work) must not be allowed to be sucked directly into the device.

---

## Grid Connection

The devices are designed for the grid voltage stated on the rating plate. If the mains cable or mains plug has not been attached to your version of the appliance, these must be installed according to national standards. Fuse protection for the grid lead can be found in the technical data.



### CAUTION!

#### **An inadequately dimensioned electrical installation can lead to serious damage.**

- ▶ The grid lead and its fuse protection should be designed to suit the existing power supply. The technical data on the rating plate should be followed.
-

## Generator-Powered Operation

The power source is generator-compatible.

The maximum apparent power  $S_{1\max}$  of the power source is required for dimensioning the necessary generator output.

The maximum apparent power  $S_{1\max}$  of the power source is calculated as follows:

$$S_{1\max} = I_{1\max} \times U_1$$

$I_{1\max}$  and  $U_1$  according to the device rating plate and technical data

The generator apparent power  $S_{\text{GEN}}$  needed is calculated using the following rule of thumb:

$$S_{\text{GEN}} = S_{1\max} \times 1.35$$

A smaller generator can be used when not welding at full power.

**IMPORTANT!** The generator apparent power  $S_{\text{GEN}}$  must not be less than the maximum apparent power  $S_{1\max}$  of the power source!

When single phase devices are being operated with a 3-phase generator, note that the stated apparent power of the generator is often just the total that can be present across all three phases of the generator. If necessary, obtain further information about the single-phase power of the generator from the generator manufacturer.

### NOTE!

**The voltage delivered by the generator must never fall outside of the mains voltage tolerance range.**

The mains voltage tolerance is specified in the "Technical Data" section.

# Connecting the Mains Cable

---

## General

If a power source is delivered without a mains cable installed, a mains cable corresponding to the power source's connection voltage must be connected before commissioning. The mains cable is included in the scope of supply for the power source.

---

## Safety

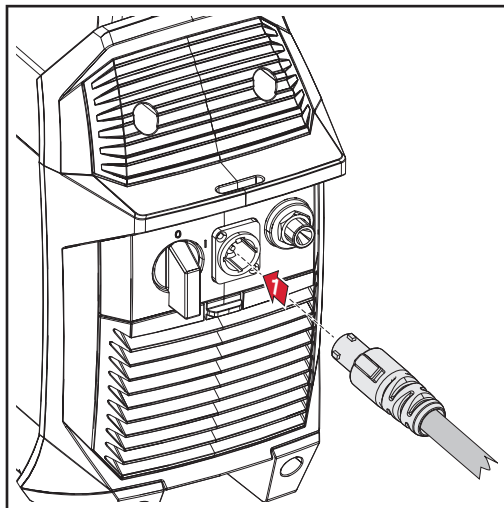


### WARNING!

**Work performed incorrectly can cause serious injury and damage.**

- ▶ Only trained and qualified personnel may carry out the activities described in the following.
  - ▶ Observe the information in the "Safety Rules" chapter of the Operating Instructions for the power source and system components!
- 

## Connecting the Mains Cable



- 1 To connect the mains cable:
  - Plug in the mains cable
  - Turn the mains cable 45° to the right until it audibly locks into place

**IMPORTANT!** If the power source is equipped with a mains cable but no mains plug, connection to the public grid must only be carried out in accordance with national guidelines and only by trained and qualified personnel.

# Commissioning

## Safety



### WARNING!

#### An electric shock can be fatal.

If the unit is connected to the grid during installation, there is a danger of serious injury and damage to property.

- ▶ Only carry out work on the device if the power switch is in the - O - position.
- ▶ Only carry out work on the device when it has been disconnected from the grid.



### WARNING!

#### Danger of electrical current due to electrically conductive dust in the device.

This can result in severe personal injury and damage to property.

- ▶ Only operate the device if an air filter is fitted. The air filter is a very important safety device for achieving IP 23 protection.

## General

Commissioning of the power source is described in relation to a standard configuration for the main usage scenario of TIG welding.

The standard configuration consists of the following system components:

- Power source
- TIG manual welding torch
- Gas pressure regulator
- Gas cylinder

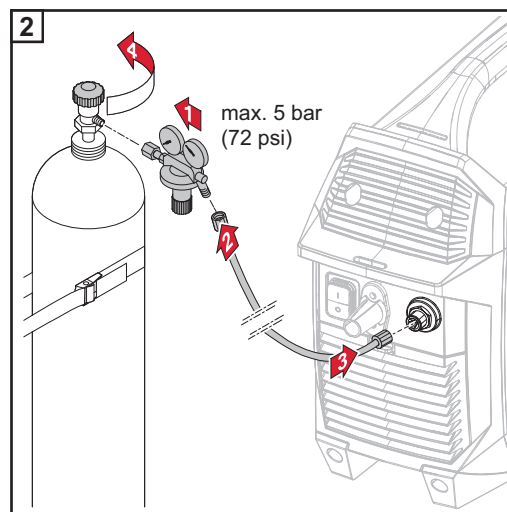
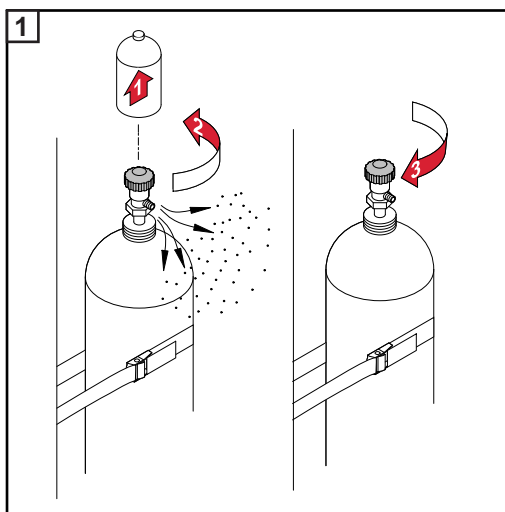
## Connecting the Gas Cylinder



### WARNING!

#### Danger of severe injury and damage to property if gas cylinders fall over.

- ▶ Securely set up the gas cylinders on a level and stable surface. Secure gas cylinders to prevent them from falling over.
- ▶ Please observe the gas cylinder manufacturer's safety rules.

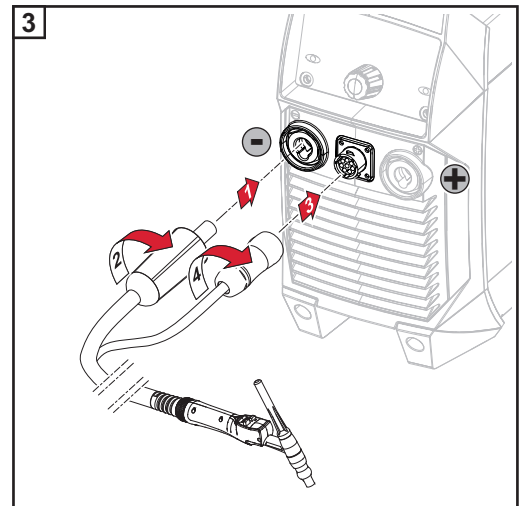
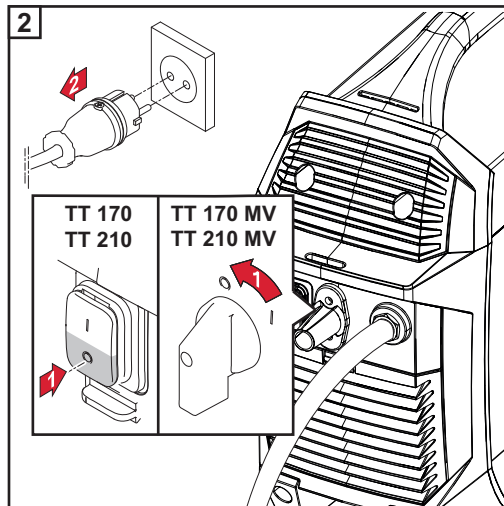


## Connecting the welding torch to the power source

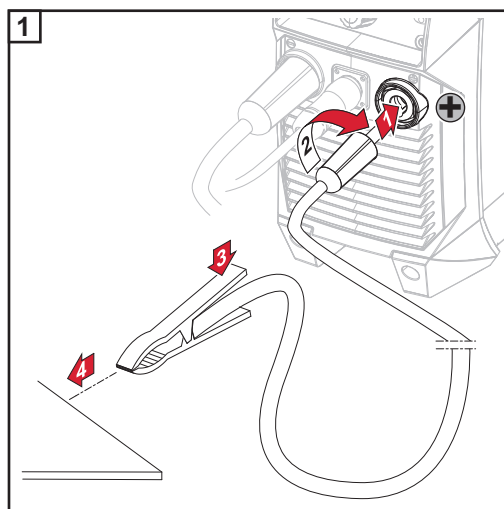
### NOTE!

Do not use pure tungsten electrodes for TransTig power sources (color code: green).

- 1 Fit parts to the welding torch according to the Operating Instructions for the welding torch



## Establishing a Ground Earth Connection with the Workpiece



## Measuring the welding circuit resistance "r"

**IMPORTANT!** For optimum welding results, determine the welding circuit resistance "r" before starting welding.

The welding circuit resistance "r" must also be determined if one of the following components of the welding system is changed:

- Torch hosepack
- Welding torch
- Grounding cable

For more information on determining the welding circuit resistance, refer to the 2nd TIG menu (see page 70).



# **Welding Mode**



# TIG Operating Modes

## Safety

**⚠ WARNING!**

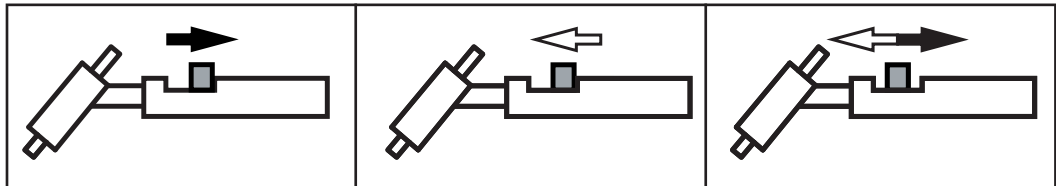
**Danger due to incorrect operation.**

This can result in severe personal injury and damage to property.

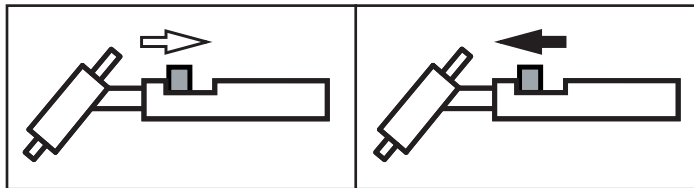
- ▶ Do not use the functions described here until you have fully read and understood the Operating Instructions.
- ▶ Do not use the functions described here until you have fully read and understood all of the Operating Instructions of the system components, especially the safety rules.

Follow the guidelines referring to setting, setting range, and units of measurement for the available parameters in the "Setup Menu" section.

## Symbols and explanations



*Pull back and hold the torch trigger | Release the torch trigger | Briefly pull back the torch trigger (< 0.5 s)*



*Push the torch trigger forward and hold | Release the torch trigger*

$I_S$	Starting-current phase: the temperature is raised gently at low welding current, so that the filler metal can be positioned correctly
$t_S$	Starting current duration
$t_{up}$	UpSlope phase: steady rise of the starting current to the main current (welding current) $I_1$
$I_1$	Main current phase (welding current phase): uniform thermal input into the parent material, whose temperature is raised by the advancing heat
$I_2$	Lowering current phase: intermediate lowering of the welding current to avoid local overheating of the parent material
$t_{down}$	DownSlope phase: steady lowering of the welding current until it reaches the final current
$I_E$	Final current phase: to avoid local overheating of the parent material caused by heat accumulation at the end of welding. This prevents possible sagging of the weld seam.
$t_E$	Final current duration
SPT	Spot welding time

---

GPr Gas pre-flow time

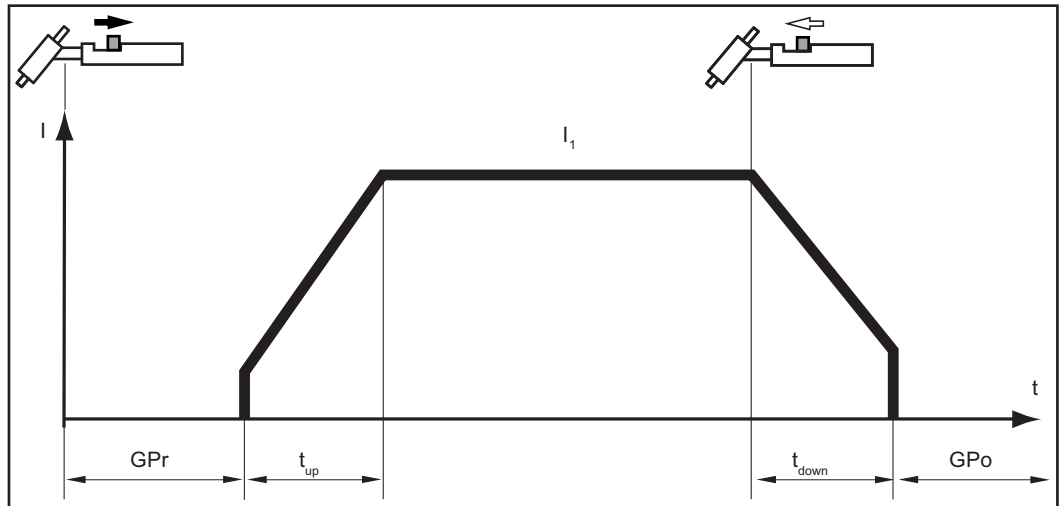
---

GPo Gas post-flow time

---

### 2-Step Mode

- Welding: Pull back the torch trigger and hold it in this position
- End of welding: Release the torch trigger

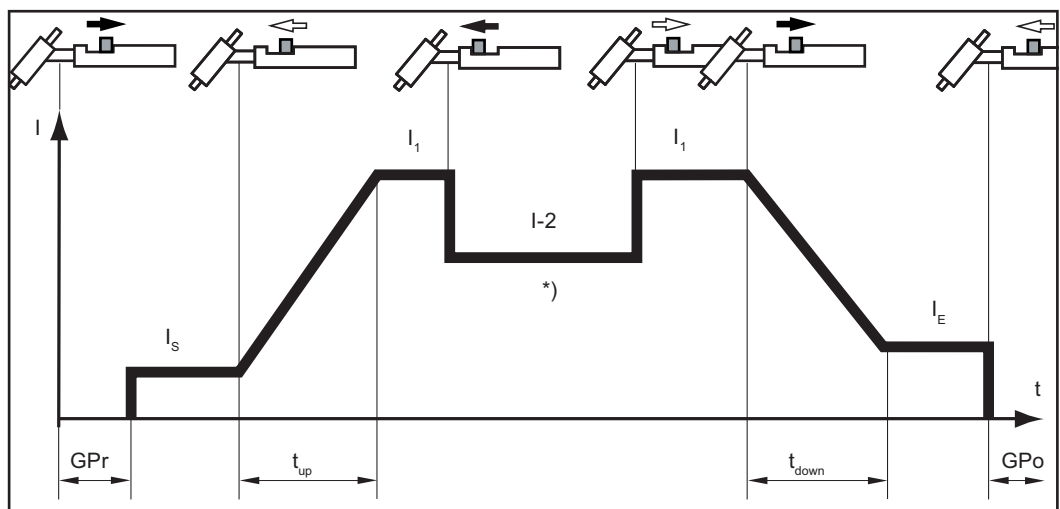


2-step mode

The Setup menu can be used to set a starting current time (t-S) and a final current time (t-E) for 2-step mode.

### 4-Step Mode

- Start of welding with starting current  $I_S$ : pull back the torch trigger and hold it in this position
- Welding with main current  $I_1$ : release the torch trigger
- Lowering to final current  $I_E$ : pull back the torch trigger and hold it in this position
- End of welding: release the torch trigger



4-step mode

\*) Intermediate lowering

With intermediate lowering, the welding current is lowered to the set lowering current I-2 during the main current phase.

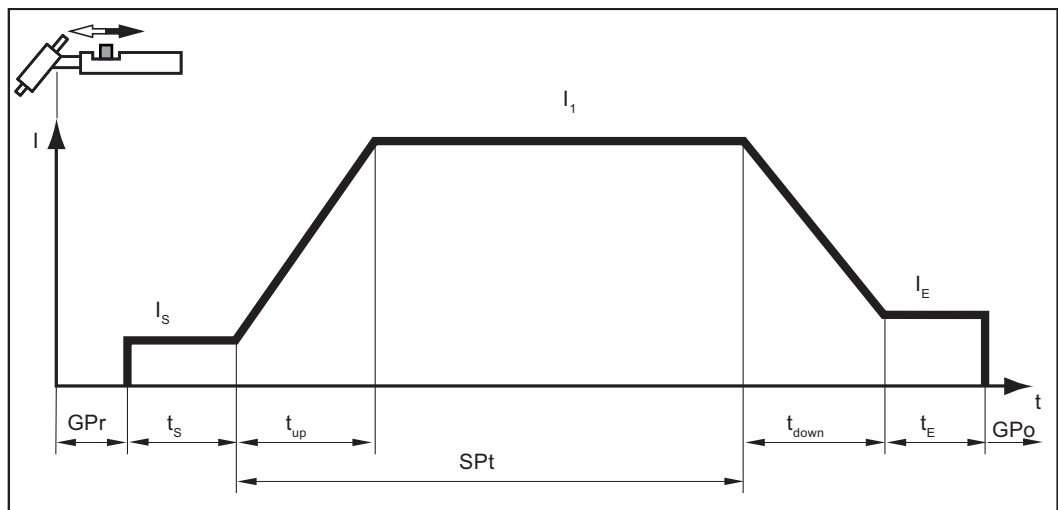
- To activate intermediate lowering, push the torch trigger forward and hold it in this position
- Release the torch trigger to resume the main current

### Spot Welding

If a value has been set for the setup parameter SPt, then 2-step mode operating mode is the same as spot welding operating mode. The spot welding special display illuminates on the control panel.

- Welding: Briefly pull back the torch trigger  
The duration of welding corresponds to the value that was entered for the setup parameter SPt.
- Premature ending of the welding process: Pull back the torch trigger again

When using a foot remote control, the spot welding time begins when the foot remote control is pressed. Foot remote controls cannot be used to adjust the power.





## TIG welding



- 1 Select the desired TIG operating mode by pressing the operating mode button:



- 2 Press the selection dial



In the welding parameter overview, the assigned welding parameters illuminate to around 50%. The segment of the currently selected welding parameter illuminates fully.

- 3 Turn the selection dial and select the welding parameter to be set (so that the segment assigned to the welding parameter in the welding parameter overview illuminates)



- 4 Press the selection dial



- 5 Turn selection dial and adjust the value of the selected welding parameter



- 6 Press selection dial to confirm the value of the welding parameter



- 7 Adjust other parameters in the Setup menu if necessary (Details in the "Setup settings" chapter from page 67)

- 8 Open the gas cylinder valve

- 9 Adjust quantity of shielding gas:

Press the gas-test button



The gas pre-flow test lasts for 30 seconds at the most. Press the button again to stop the gas flow prematurely.

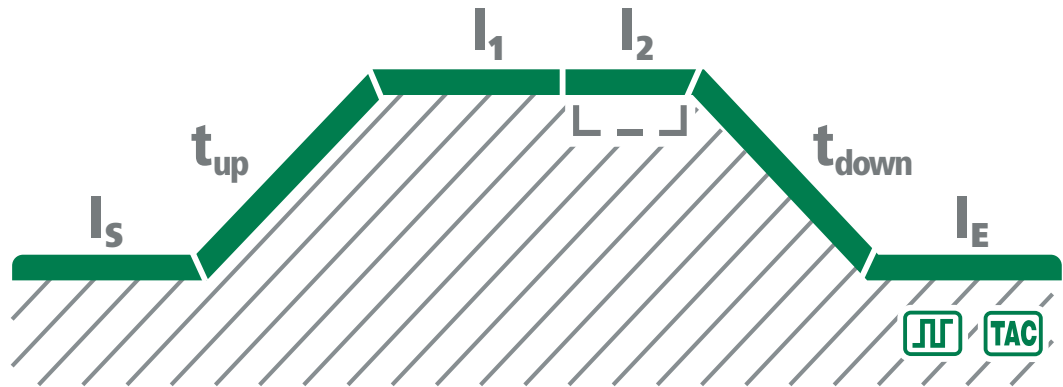
Turn the adjusting screw on the bottom of the gas pressure regulator until the manometer displays the desired quantity of gas

**NOTE!**

All parameter set values that are set using the selection dial are saved until their next alteration.

This applies even if the power source is switched off and on again.

10 Commence the welding process (ignite arc)

**Welding parameters**


**$I_s$  Starting current**  
 1 - 200% of the main current  $I_1$   
 Factory setting: 35%

**$t_{up}$  UpSlope**  
 off / 0.01 - 9.9 s  
 Factory setting: 0.5 s

**IMPORTANT!** The UpSlope  $t_{up}$  is saved separately for the following operating modes:

- 2-step mode
- 4-step mode
- When the "Trigger" setup parameter is set to "oFF"
- When a foot-operated remote control has been connected

**$I_1$  Main current**  
 10 – 170 A ... TT 170  
 10 – 210 A ... TT 210  
 Factory setting: 100 A

**$I_2$  Lowering current (only in 4-step mode)**  
 1 - 200% (of the main current  $I_1$ )  
 Factory setting: 50%



**$t_{down}$  DownSlope**  
 off / 0.01 - 9.9 s  
 Factory setting: 1.0 s

**IMPORTANT!** The DownSlope  $t_{down}$  is saved separately for the following operating modes:

- 2-step mode
- 4-step mode
- When the "Trigger" setup parameter is set to "oFF"



---

<b>I<sub>E</sub></b>	<b>Final current</b> 1 - 100% (of the main current I <sub>1</sub> ) Factory setting: 30%
	<b>Pulses *</b> F-P (pulse frequency)  off / 0.2 - 990 Hz Factory setting: off
	<b>Tacking *</b> Duration of the pulsed welding current  off / 0.1 - 9.9 s / on Factory setting: off

---

\* The pulsing and tacking parameters are only displayed if the setup parameter "Ptd - pulse TAC display" is set to "on".

# Igniting the arc

## Igniting the arc using high frequency (HF ignition)

### CAUTION!

#### Risk of injury due to an electric shock

Although Fronius devices comply with all relevant standards, the high frequency ignition can transmit a harmless but noticeable electric shock under certain circumstances.

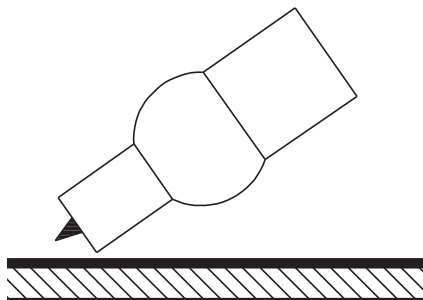
- ▶ Use prescribed protective clothing, especially gloves!
- ▶ Only use suitable, completely intact and undamaged TIG hosepacks!
- ▶ Do not work in damp or wet environments!
- ▶ Take special care when working on scaffolds, work platforms, in forced positions, in tight, difficult to access or exposed places!

HF ignition is activated when the setup parameter "IGn" is set to "on".  
The HF ignition special indicator illuminates on the control panel.

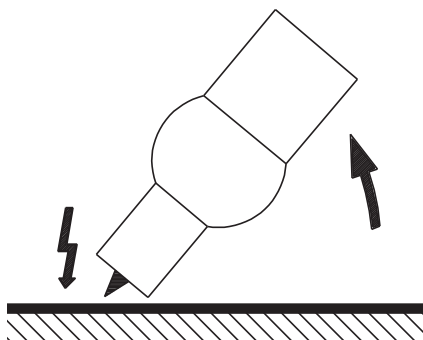


Unlike with contact ignition, there is no risk of contaminating the tungsten electrode and workpiece during HF ignition.

Procedure for HF ignition:

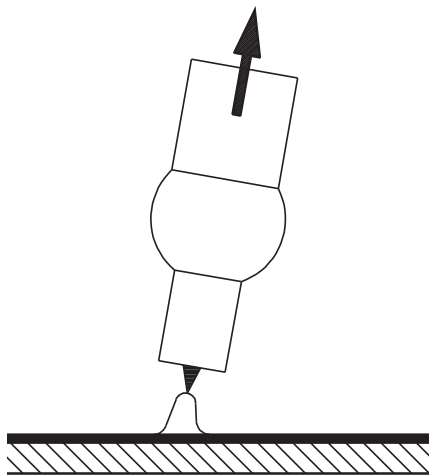


- 1 Position the gas nozzle at the ignition point so that there is a distance of approximately 2 to 3 mm (5/64 - 1/8 in.) between the tungsten electrode and the workpiece. Distance exists.



- 2 Increase the tilt angle of the welding torch and press the torch trigger according to the selected operating mode

The arc ignites without coming into contact with the workpiece.

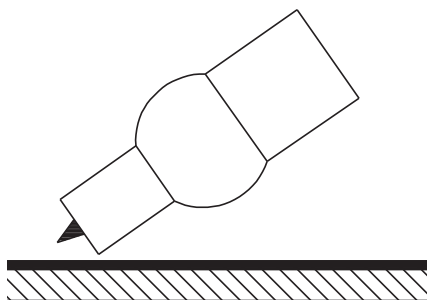


- 3 Tilt the welding torch to the normal position
- 4 Carry out welding

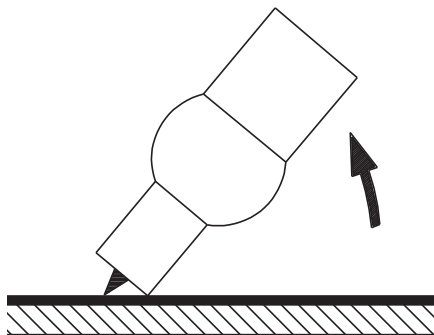
**Contact Ignition for Welding Torch with Torch Trigger**

When the setup parameter IGn is set to OFF, the HF ignition is deactivated. The arc ignites when the workpiece makes contact with the tungsten electrode.

Procedure for igniting the arc using contact ignition for welding torches with torch trigger:



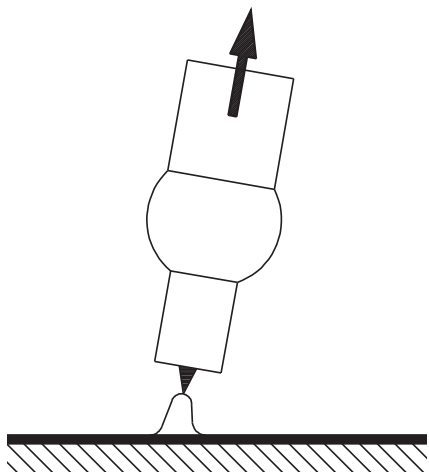
- 1 Position the gas nozzle at the ignition point so that there is a distance of approximately 2 to 3 mm (5/64 to 1/8 in.) between the tungsten electrode and the workpiece



- 2 Press the torch trigger

Shielding gas flows

- 3 Slowly straighten the welding torch until the tungsten electrode touches the workpiece



- 4 Lift the welding torch and swivel into normal position

The arc ignites.

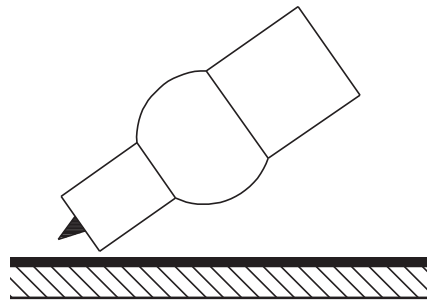
- 5 Carry out welding

### Contact Ignition for Welding Torch without Torch Trigger

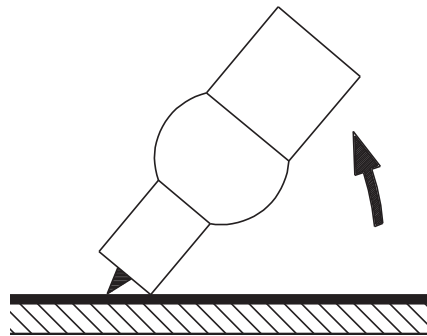
When the setup parameter "IGn" is set to "oFF", the HF ignition is deactivated. The arc ignites when the workpiece makes contact with the tungsten electrode.

The setup parameter "Tri" must be set to "oFF".

Procedure for igniting the arc using contact ignition for welding torches without torch trigger:



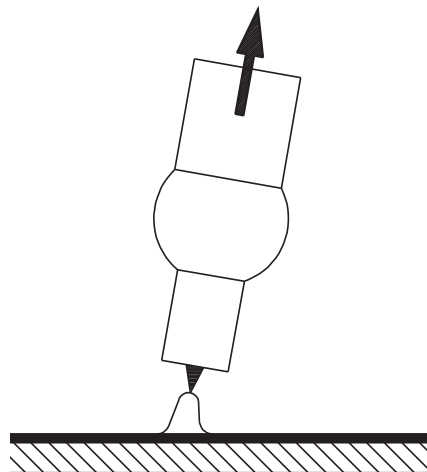
- 1 Position the gas nozzle at the ignition point so that there is a distance of approximately 2 to 3 mm (5/64 to 1/8 in.) between the tungsten electrode and the workpiece



- 2 Actuate gas cut-off valve

Shielding gas flows

- 3 Gradually tilt the welding torch up until the tungsten electrode touches the workpiece



- 4 Raise the welding torch and rotate it into its normal position

The arc ignites.

- 5 Carry out welding

### Igniting the arc using high-frequency contact (Touch-HF)



#### CAUTION!

#### Risk of injury due to an electric shock

Although Fronius devices comply with all relevant standards, the high-frequency ignition can transmit a harmless but noticeable electric shock under certain circumstances.

- ▶ Use prescribed protective clothing, especially gloves!
- ▶ Only use suitable, completely intact and undamaged TIG hosepacks!
- ▶ Do not work in damp or wet environments!
- ▶ Take special care when working on scaffolds, work platforms, in forced positions, in tight, difficult to access or exposed places!

The welding process is initiated by briefly touching the workpiece with the tungsten electrode. The high-frequency ignition is performed after the set HF ignition delay time has elapsed.

### Overloading of the Tungsten Electrode

If the tungsten electrode is overloaded, the "electrode overloaded" display illuminates on the control panel.



Possible causes of an overloaded tungsten electrode:

- Diameter of the tungsten electrode is too small
- Main current  $I_1$  value is set too high

Remedy:

- Use tungsten electrode with larger diameter  
(in this case, the "ELd" setup parameter value must also be adjusted to the new electrode diameter)
- Reduce the main current

**IMPORTANT!** The "electrode overloaded" display is tailored for use with ceriated tungsten electrodes. For all other electrodes, the "electrode overloaded" indicator can be used as a guide.

### End of Welding

- 1 Depending on the set operating mode, end welding by releasing the torch trigger
- 2 Wait for the set gas post-flow and hold the welding torch in position over the end of the weld seam.

It is also possible to end welding with the TIG Comfort Stop (CSS) function on welding torches with or without a torch trigger.

This function can be adjusted in the TIG - 2nd level Setup menu (see page 70).

# Special functions

---

## Arc Break Monitoring Function

If the arc breaks and no current flow takes place during the time set in the Setup menu, the power source automatically switches off. The control panel displays the service code "no | Arc".

Press any button on the control panel or the torch trigger to restart the welding process.

The "2nd Level Setup Menu" section describes how to set the arc break monitoring (Arc) setup parameters.

---

## Ignition Time-Out Function

The power source has an ignition time-out function.

If the torch trigger is pressed, gas pre-flow begins immediately. Then the ignition procedure is initiated. If no arc emerges during the period of time set in the Setup menu, the power source automatically switches off. The control panel displays the service code "no | IGn".

Press any button on the control panel or the torch trigger to launch a further attempt.

The "2nd Level Setup Menu" section describes how to set the "ignition time-out function" (lto) parameter.

---

## TIG pulsing

The welding current set at the start of welding may not always be optimum for the entire welding process:

- If the amperage is too low, the parent material will not be sufficiently melted
- If overheating occurs, there is a danger that the liquid weld pool may drip

The TIG pulsing function is able to help with this (TIG welding with a pulsing welding current):

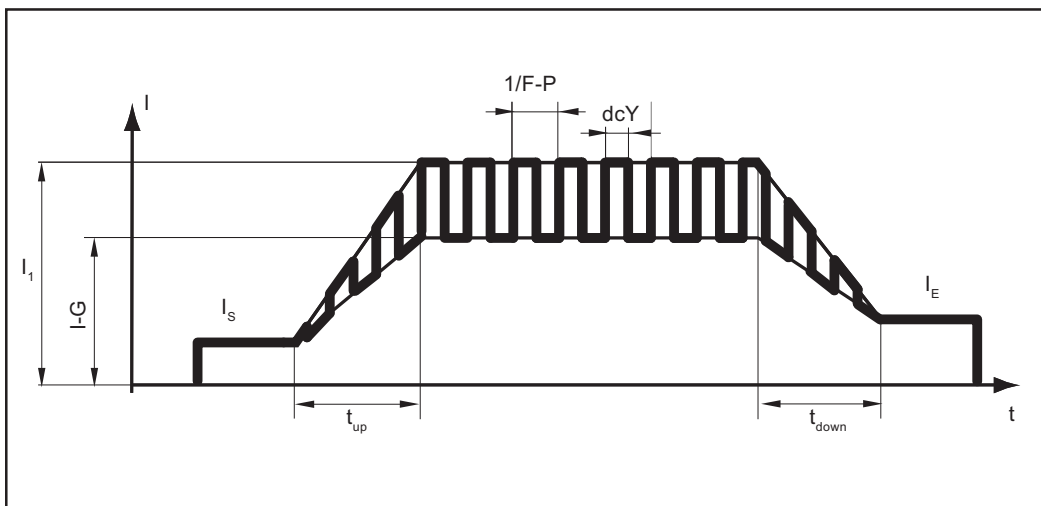
A low base current I-G rises steeply to a significantly higher pulse current I1 and falls again, after the set time dcY (duty cycle), to the base current I-G.

During TIG pulsing, small sections of the welding point are quickly melted and then allowed to quickly solidify again.

During manual applications, the welding wire is applied in the maximum current phase during TIG pulsing (only possible in the low frequency range from 0.25 - 5 Hz). Higher pulse frequencies are mostly used in automated applications and mainly serve to stabilize the arc.

TIG pulsing is used to weld steel pipes when welding out-of-position or to weld thin sheet metal.

TIG pulsing in operation:



TIG pulsing - welding current progression curve

Key:

$I_S$	Starting current	$F-P$	Pulse frequency *)
$I_E$	Final current	$dcY$	Duty cycle
$t_{up}$	UpSlope	$I-G$	Base current
$t_{Down}$	DownSlope	$I_1$	Main current

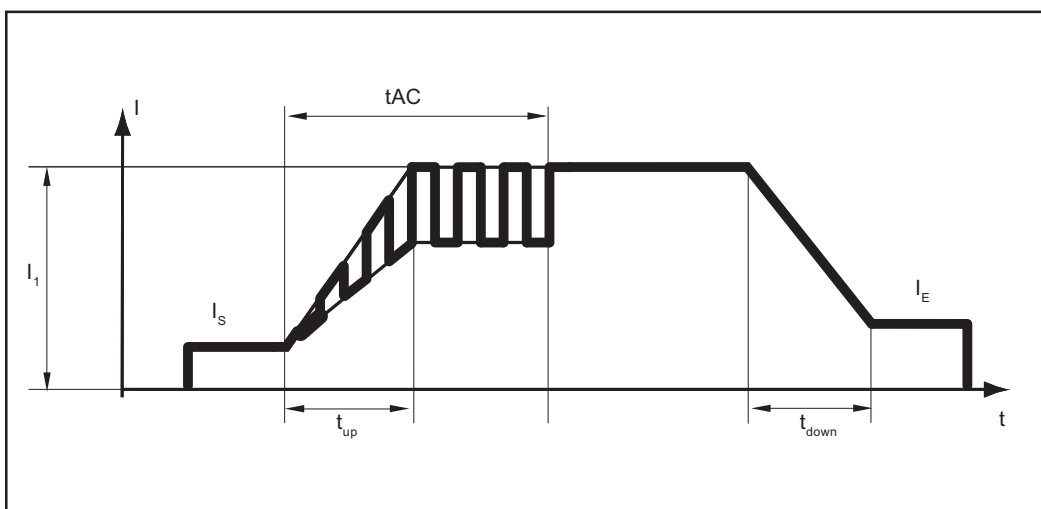
\*) ( $1/F-P =$  Time between two impulses)

**Tacking Function** There is a tacking function on the power source.

When a period of time is set for the setup parameter  $t_{AC}$  (tacking), the tacking function is assigned to the 2-step and 4-step modes. The process of the operating modes remains unchanged.

During this time, a pulsed welding current is available, which optimizes the merging of the weld pool when tacking two components.

Tacking function in operation:



Tacking function - welding current progression curve

Key:

tAC	Duration of pulsed welding current for tacking process
$I_S$	Starting current
$I_E$	Final current
$t_{up}$	UpSlope
$t_{Down}$	DownSlope
$I_1$	Main current

**IMPORTANT!** When using a pulsed welding current:

- The power source automatically regulates the pulse parameters in relation to the set main current  $I_1$ .
- No pulse parameters have to be set.

The pulsed welding current starts

- After the starting-current phase  $I_S$  has finished
- With the UpSlope phase  $t_{up}$

Depending on the set tAC time, the pulsed welding current can be stopped up to and including the final current phase  $I_E$  (tAC setup parameter to "On").

After the tAC time has passed, further welding is carried out at a constant welding current. Set pulse parameters are available if applicable.

**IMPORTANT!** To set a defined tacking time, the setup parameter tAC can be combined with the setup parameter SPt (spot welding time).



# Manual Metal Arc Welding

## Safety



### WARNING!

#### Danger due to incorrect operation.

This can result in severe personal injury and damage to property.

- ▶ Do not use the functions described here until you have fully read and understood the Operating Instructions.
- ▶ Do not use the functions described here until you have fully read and understood all of the Operating Instructions of the system components, especially the safety rules.



### WARNING!

#### An electric shock can be fatal.

If the power source is connected to the grid during installation, there is a danger of serious personal injury and property damage.

- ▶ Only carry out work on the device when the power source's power switch is in the - O - position.
- ▶ Only carry out work on the device when the power source has been disconnected from the grid.

## Preparation

- 1 Set the power switch to - O -
- 2 Unplug mains plug
- 3 Remove TIG welding torch
- 4 Insert grounding cable and lock:
  - For manual metal arc DC- welding in the (+) current socket
  - For manual metal arc DC+ welding in the (-) current socket
- 5 Connect the other end of the grounding cable to the workpiece
- 6 Insert electrode cable and lock by turning to the right:
  - For manual metal arc DC- welding in the (-) current socket
  - For manual metal arc DC+ welding in the (+) current socket
- 7 Insert mains plug



### CAUTION!

#### Danger of injury and damage from electric shock.

When the power switch is switched to position - I -, the rod electrode in the electrode holder is live.

- ▶ Ensure that the rod electrode is not touching any people or electrically conductive or grounded parts (housing, etc.).

- 8 Set the power switch to - I -

All displays on the control panel briefly illuminate.

---

## Manual metal arc welding



- 1 Select the manual metal arc welding operating mode by pressing the operating mode button:



**IMPORTANT!** If the manual metal arc welding operating mode is selected, the welding voltage is only available after a delay of 3 seconds.

- 2 Turn selection dial to set the welding current



The set value is immediately applied.

- 3 Adjust other parameters in the Setup menu if necessary (Details in the "Setup settings" chapter from page 77)

### NOTE!

**All parameter set values that are set using the selection dial are saved until their next alteration.**

This applies even if the power source is switched off and on again.

---

- 4 Initiate welding process

---

## Manual Metal Arc Welding with Cel Electrodes

**IMPORTANT!** To weld with Cel electrodes, the setup parameter CEL must be set to "on" (also see page 77)!

---

## Pulse Welding

Pulse welding is welding with a pulsing welding current. It is used to weld steel pipes out-of-position or to weld thin sheet metal.

In these applications, the welding current set at the start of welding is not always optimum for the entire welding process:

- If the amperage is too low, the parent material will not be melted enough
- If overheating occurs, there is a danger that the liquid weld pool may drip

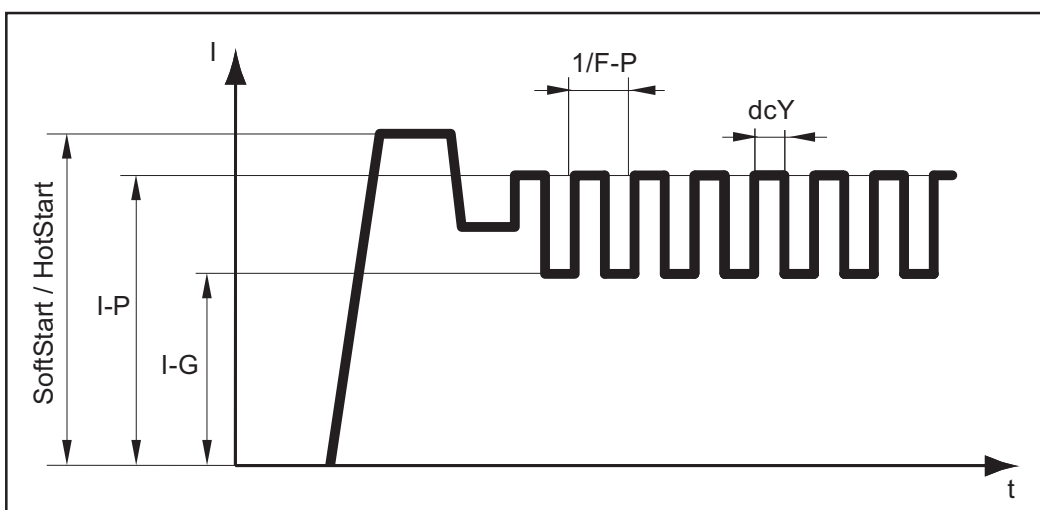
**Adjustment range:** off, 0.2 - 990 Hz

### Operating principle:

- A low base current I-G rises steeply to the significantly higher pulse current I-P and drops back to the base current I-G after the Duty cycle dcY time.
- During pulse welding, small sections of the welding location melt quickly and then rapidly re-solidify.

**NOTE!**

The power source regulates the duty cycle parameter "dcY" and the base current "I-G" according to the set pulse frequency.



Pulse welding - welding current progression curve

**Adjustable parameters:**

- F-P Pulse frequency ( $1/F-P = \text{Time between two pulses}$ )
- SoftStart / HotStart

**Fixed parameters:**

- I-G Base current
- dcY Duty cycle

**Using pulse welding:**

- 1 Select manual metal arc welding operating mode
- 2 Set the parameter "F-P" in the Setup menu to a value between 0.2 and 990 Hz

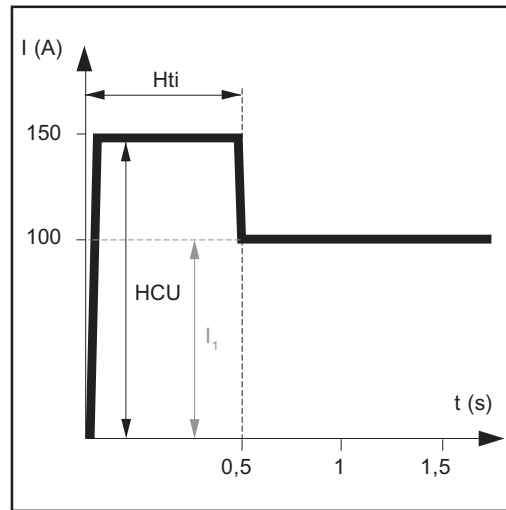
The pulsing special display illuminates on the control panel of the power source.



**Starting current > 100% (HotStart)**

**Advantages**

- Improved ignition properties, even when using electrodes with poor ignition properties
- Better fusion of parent material in the start phase, therefore less neutralization
- Slag inclusions largely avoided



Key:

**Hti**  
Hot current time,  
0-2 s,  
Factory setting 0.5 s

**HCU**  
HotStart current,  
0-200%,  
Factory setting 150%

**I<sub>1</sub>**  
Main current = set welding current

Example of a starting current > 100% (HotStart)

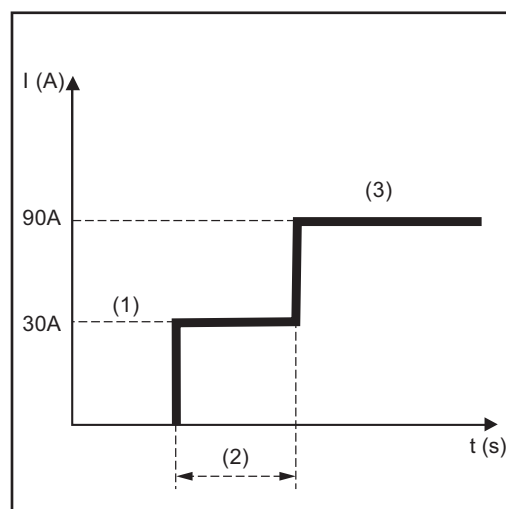
**Operation**

During the set hot current time (Hti) the welding current I<sub>1</sub> rises to the HotStart current HCU.

The setting of the available parameters is described in the "Setup Menu" section on page 77.

**Starting current < 100% (SoftStart)**

A starting current of < 100% (SoftStart) is suitable for basic electrodes. Ignition is carried out with a low welding current. As soon as the arc is stable, the welding current continues to increase until it reaches the welding current command value that was set.



Advantages:

- Improvement of ignition properties with electrodes that ignite at a low welding current
- Slag inclusions largely avoided
- Reduction of welding spatter

- (1) HCU starting current
- (2) Hti starting current time
- (3) Main current I<sub>1</sub>

The starting current and starting current time are set in the Setup menu from page 77.

Example of a starting current < 100% (SoftStart)

---

**Anti-Stick Function**

As the arc becomes shorter, the welding voltage may also fall so that the rod electrode is more likely to stick to the workpiece. This can also cause the rod electrode to anneal.

Activating the anti-stick function will prevent this annealing. If the rod electrode starts to stick to the workpiece, the power source switches off the welding current immediately. The welding process can be resumed without problems once the rod electrode has been detached from the workpiece.

The anti-stick function can be activated or deactivated in the Setup menu, see page [77](#).



# Setup Settings





# The Setup Menu

## General

The power source Setup menu provides easy access to expert knowledge and additional functions. The Setup menu makes it possible to easily adjust the parameters for various tasks.

Located in the Setup menu are:

- Setup parameters with a direct effect on the welding process
- Setup parameters for pre-setting the welding system

## Accessing the Setup Menu



- 1 Press and hold the operating mode button
- 2 Press the gas-test button

The corresponding Setup menu will be displayed for the set operating mode.

- 3 To exit the Setup menu, press the operating mode button

---

## Adjusting Parameters

The parameters in the Setup menu are adjusted as follows:

- 1 Turn the selection dial and select the desired setup parameter



- 2 Press selection dial to adjust the value for the setup parameter



The parameter is displayed on the left digital display. The currently set value for the parameter is displayed on the right digital display.

- 3 Turn selection dial and adjust the value of the setup parameter



- 4 Press selection dial to confirm the value of the setup parameter



---

## Overview

The following sections describe the Setup menu:

- TIG Setup menu
- Rod electrode Setup menu

# TIG Setup Menu

## Parameters in the TIG Setup menu

The following parameters are available through the TIG Setup menu:



### Electrode diameter

0.0 - 3.2 mm

Factory setting: 2.4 mm



### Spot welding time/interval welding time

off / 0.05 - 25 s

Factory setting: off

If a value has been set for the setup parameter SPT, this means that 2-step mode corresponds to the spot welding mode.

The spot welding special display illuminates on the control panel if a value for the spot welding time has been entered.




### Interval pause time

This parameter is only available in 2-step mode and when the "SPT" parameter is activated.

off / 0.5 - 25 s

Factory setting: off



### Tacking

Tacking function - duration of the pulsed welding current at the start of the tacking process

off / 0.1 - 9.9 s / on

Factory setting: off

on

The pulsed welding current remains present until the end of the tacking process

0.1 - 9.9 s

The set time begins with the UpSlope phase. After the set time has passed, further welding is carried out at a constant welding current. Set pulse parameters are available if applicable.

off

Tacking function is switched off

The tacking special display illuminates on the control panel if a value has been set.



### Pulse frequency

off / 0.2 - 990 Hz

Factory setting: off

The set pulse frequency is also applied for the lowering current.

The pulsing special display illuminates on the control panel if a value for the pulse frequency has been entered.



### Duty cycle

Relationship between pulse duration and base current duration at the set pulse frequency

10 - 90%

Factory setting: 50%



### Base current

0 - 100% (of the main current  $I_1$ )

Factory setting: 50%



### Starting current time

The starting current time indicates the duration of the starting-current phase.

off / 0.01 - 9.9 s

Factory setting: off

**IMPORTANT!** The starting current time is only valid for 2-step mode, spot welding, and operation using a foot-operated remote control.

In 4-step mode, the duration of the starting-current phase is determined by the torch trigger.

### Final current time

The final current time indicates the duration of the final current phase.

off / 0.01 - 9.9 s

Factory setting: off

**IMPORTANT!** The final current time is only valid for 2-step mode and spot welding. In 4-step mode, the duration of the final current phase is determined by the torch trigger (section "TIG Operating Modes").

---

### Gas pre-flow time

Duration of the gas pre-flow

0 - 9.9 s

Factory setting: 0.4 s

### Gas post-flow time

Duration of the gas post-flow

0.0 - 9.9 s / Aut

Factory setting: Aut

### Gas purging

off / 0.1 - 9.9 minutes

Factory setting: off

Shielding gas pre-purging starts once a value has been set for GPU.

For safety reasons, it is necessary to re-enter a value for GPU in order to re-start shielding gas pre-purging.

**IMPORTANT!** Shielding gas pre-purging is mainly required if condensate has built up after longer periods of downtime in the cold. Long hosepacks in particular may be affected by this.

---



### Reset welding system

No / YES / ALL

Factory setting: No

YES:

Only the currently active welding mode is reset (2T / 4T / trigger = oFF / STICK / STICK CEL / foot-operated remote control)

ALL:

All operating modes are reset.

---



Left display

Right display

### TIG - 2nd level Setup menu

For setting the following parameters:

- r (welding circuit resistance)
  - Slope Time 1 (only in 4-step mode)
  - Slope Time 2 (only in 4-step mode)
  - Trigger
  - HF ignition
  - Pulse TAC display
  - Ignition time out
  - Arc break monitoring
  - TIG Comfort Stop - Comfort Stop sensitivity
  - Break voltage
  - Main current changeover
- 



### 2nd level Setup menu

For viewing "system active time", "system on time", "fuse", and "software version" parameters

For setting the "time shut down" parameter

---

### Parameters in the TIG - 2nd level Setup menu

The following parameters are available through the second level of the TIG Setup menu:

---



### Welding circuit resistance

For displaying the total resistance of the torch hosepack, welding torch, workpiece, and grounding cable

**IMPORTANT!** The ground earth connection and contact of the tungsten electrode must be made on a cleaned workpiece surface.

- 1 Establish a ground earth connection

- 2 Select "r" and press the selection dial

The last measured value is displayed on the right display.

- 3 Place the tungsten electrode flush against the workpiece surface

- 4 Press the torch trigger or gas-test button

The value for "r" is determined, the right display shows "run".  
The current value for "r" is then displayed in MOhm on the right display.

If an error occurs while determining the welding circuit resistance, "r" is displayed on the left display and "Err" is displayed on the right display.

Pressing the torch trigger or the gas-test button restarts the determination of the welding circuit resistance.

In the event of an error:

- Inspect torch hosepack, welding torch, and grounding cable for damage
- Check connections and contacts
- Check the cleanliness of the workpiece surface

**Slope Time 1** (only available in 4-step mode)

Ramping time from the main current  $I_1$  to the lowering current  $I_2$

off / 0.01 - 9.9 s

Factory setting: 0.5 s

**Slope Time 2** (only available in 4-step mode)

Ramping time from the lowering current  $I_2$  back up to the main current  $I_1$

off / 0.01 - 9.9 s

Factory setting: 0.5 s

**Trigger**

Torch trigger operating mode

off / on

Factory setting: on

off

Operating welding torch without torch trigger  
High frequency ignition is deactivated.

on

TIG 2-step or 4-step mode



### HF ignition

off / on / tHF

Factory setting: on

off

No HF ignition at the start of welding - welding started by contact ignition

on

HF ignition is activated

tHF

The welding process is initiated by briefly touching the workpiece with the tungsten electrode. The high-frequency ignition is performed after the set HF ignition delay time has elapsed.

The HF ignition special indicator illuminates on the control panel when the "HF ignition" parameter is set to "on".



### CAUTION!

#### Risk of injury due to an electric shock

Although Fronius devices comply with all relevant standards, the high-frequency ignition can transmit a harmless but noticeable electric shock under certain circumstances.

- ▶ Use prescribed protective clothing, especially gloves!
- ▶ Only use suitable, completely intact and undamaged TIG hosepacks!
- ▶ Do not work in damp or wet environments!
- ▶ Take special care when working on scaffolds, work platforms, in forced positions, in tight, difficult to access or exposed places!



### HF ignition delay time

Time after touching the workpiece with the tungsten electrode after which the high-frequency ignition takes place.

0.1 - 5.0 s

Factory setting: 1.0 s



### Pulse TAC display

off / on

Factory setting: on

This menu item can be used to hide the pulsing and tacking parameters on the control panel in the welding parameter overview.





**Ignition time out**

Period of time until the safety cut-out following failed ignition

0.1 - 9.9 s

Factory setting: 5 s



**Arc break monitoring**

Period of time until the safety cut-out following an arc break

0.1 - 9.9 s

Factory setting: 1.0 s

**IMPORTANT!** Arc break monitoring is a safety function and cannot be deactivated. A description of the arc break monitoring function can be found in the "TIG welding" section on page 54.



**TIG Comfort Stop Sensibility - comfort stop sensibility**

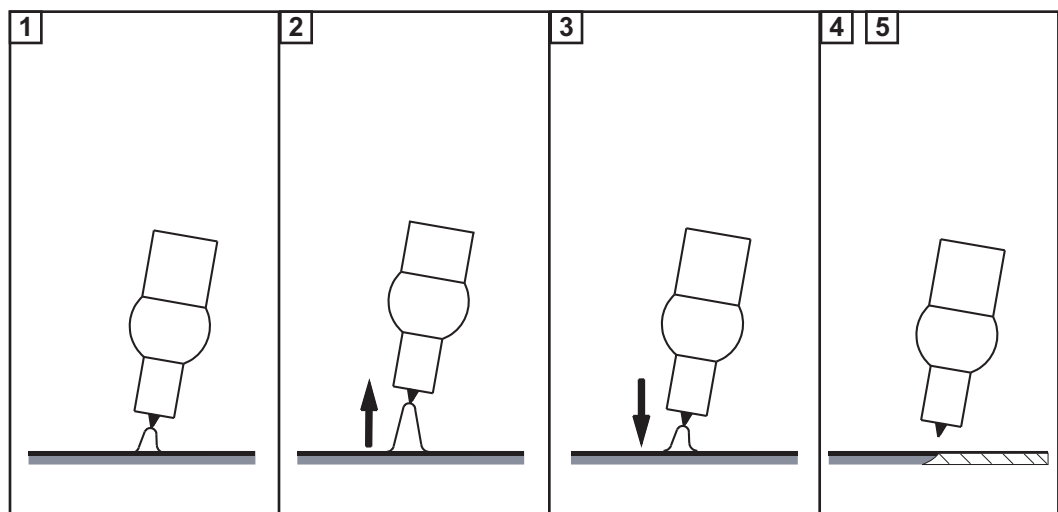
The parameter is only available if the "Trigger" parameter is set to "off".

oFF / 0.6 - 3.5 V

Factory setting: 1.5 V

At the end of the welding process, an automatic shutdown of the welding current follows a significant increase of the arc length. This prevents the arc from having to be unnecessarily lengthened when lifting the TIG welding torch.

Process:



- 1 Welding
- 2 Briefly lift the welding torch at the end of welding

The arc lengthens significantly.

- 3 Lower the welding torch
- The arc shortens significantly
  - The TIG Comfort Stop function has triggered
- 4 Maintain height of the welding torch
- The welding current continuously ramps down (DownSlope).
  - The arc goes out.

**IMPORTANT!** The DownSlope is fixed and cannot be adjusted.

- 5 Lift the welding torch from the workpiece
- 



### Break voltage

For setting a voltage value at which the welding process may be ended by slightly raising the TIG welding torch.

The higher the break voltage value, the higher the arc can be raised.

The break voltage values for 2-step mode, 4-step mode, and operation with a foot-operated remote control are all stored together.

If the "tri" parameter (trigger - torch trigger operating mode) is set to "oFF", the values are stored separately.

10 - 45 V

Factory setting: 35 V (for 2-step and 4-step mode and operation with a foot-operated remote control)

Factory setting: 25 V (for trigger = oFF operation)

---



### Main current changeover

on / off

Factory setting: on

on

After welding has started, an automatic selection of the main current  $I_1$  takes place. The main current  $I_1$  can be adjusted immediately.

off

During welding, the last selected parameter remains selected.

The last selected parameter can be adjusted immediately.

No automatic selection of the main current  $I_1$  takes place.

---

**Parameters in the 2nd level Setup menu**

The following parameters are available through the second level of the Setup menu:



**System active time**

To display the welding duration (the time during which welding has taken place)

The complete welding duration is divided across several displays and can be viewed by turning the selection dial.

Displayed in h / min. / sec.



**System on time**

For displaying the operating duration (count begins as soon as the device is switched on)

The complete operating duration is divided across several displays and can be accessed by turning the selection dial.

Displayed in h / min. / sec.



**Fuse**

To display/set the fuse being used

At 230 V: 10, 13, 16 A / off \*

at 120 V: 15, 16, 20 A \* / off \*

\* Only on the TT 170 MV / TT 210 MV

Factory setting:

16 A at a grid voltage of 230 V

16 A at a grid voltage of 120 V

If a fuse is set on the power source, the power source will limit the current drawn from the grid, which prevents an immediate tripping of the power circuit breaker.

**Max. welding current depending on the selected fuse**

**Duty cycle = 40%**

Device	Mains voltage	Fuse	Max. TIG welding current	Max. electrode welding current
TT 170	230 V	10 A	170 A	125 A
		13 A	170 A	150 A
		16 A	170 A	150 A
		oFF *	170 A	150 A
TT 170 MV	120 V **	15 A	130 A	85 A
		16 A	140 A	95 A
		20 A *	140 A	100 A
		oFF *	140 A	100 A

**Max. welding current depending on the selected fuse  
Duty cycle = 40%**

		10 A	180 A	125 A
	230 V	13 A	200 A	150 A
TT 210		16 A	210 A	150 A
		oFF *	210 A	150 A
TT 210 MV		15 A	130 A	85 A
	120 V **	16 A	140 A	95 A
		20 A *	170 A	120 A
		oFF *	170 A	120 A

\* Only on the TT 170 MV / TT 210 MV

\*\* Depending on the trigger characteristics of the power circuit breaker used, the full duty cycle of 40% may not be reached with a 120 V grid (for example, USA circuit breaker type CH 15% D.C.).



**Software version**

The complete version number of the current software is divided across several displays and can be viewed by turning the selection dial.



**Automatic shutdown**

off / 5 - 60 minutes

Factory setting: off

If the device is not used or operated within a set period of time, it automatically switches into Standby mode.

Pressing a button on the control panel switches off Standby mode - the device is now ready for welding.

# Rod Electrode Setup Menu

## Parameters in the Rod Electrode Setup Menu

The following parameters are available through the rod electrode setup menu:

### HotStart current

1 - 200%

Factory setting: 130%

### Starting current duration

0.1 - 2.0 s

Factory setting: 0.5 s

### Start ramp

To activate/deactivate the start ramp for the manual metal arc welding ignition process

on / off

Factory setting: on (activated)

### Pulse frequency

for pulse welding with rod electrodes

off / 0.2 - 990 Hz

Factory setting: off

The set pulse frequency is also applied for the lowering current.

The pulsing special indicator illuminates on the control panel if a value for the pulse frequency has been entered.



### Anti-stick

on / off

Factory setting: on

As the arc becomes shorter, the welding voltage may also fall so that the rod electrode is more likely to stick to the workpiece. This may also cause the rod electrode to burn out.

Electrode burn-out is prevented by activating the anti-stick function. If the rod electrode begins to stick, the power source immediately switches the welding current off. The welding process can be resumed without problems once the rod electrode has been detached from the workpiece.

---



#### **CEL mode**

on / off

Factory setting: off

To weld with Cel electrodes, the parameter must be set to "on".

---



#### **Dynamic correction**

To optimize the welding result

0 - 100

Factory setting: 20

0

Softer and low-spatter arc

100

Harder and more stable arc

At the moment of droplet transfer or in event of a short circuit, a short-term increase in the amperage will occur. To maintain a stable arc, the welding current temporarily rises. If the rod electrode is at risk of sinking into the weld pool, this action prevents the weld pool from solidifying, as well as reducing the duration of the arc's short circuit. The risk of the rod electrode sticking is therefore largely ruled out.

---



#### **Break voltage**

Limitation of the welding voltage

25 - 90 V

Factory setting: 45 V

In principle, the arc length depends on the welding voltage. To end the welding process, a significant lifting of the rod electrode is usually required. The "Uco" parameter allows the welding voltage to be limited to a value, which permits the welding process to be ended by only slightly lifting the rod electrode.

**IMPORTANT!** If the welding process regularly comes to an unintentional end, set the break voltage parameter to a higher value.

---



#### **Reset welding system**

No / YES / ALL

Factory setting: No

YES:

Only the currently active welding mode is reset (2T / 4T / trigger = oFF / STICK / STICK CEL / foot-operated remote control)

ALL:

All operating modes are reset.

---



### **2nd level Setup menu**

For viewing "system active time", "system on time", "fuse" and "software version" parameters

For setting the "time shut down" parameter

For more details about the 2nd level Setup menu, see page [75](#).

---





# **Troubleshooting and Maintenance**



# Troubleshooting

---

## General

The power source is equipped with an intelligent safety system, which completely negates the need for fuses. After correcting a possible error, the power source can be properly operated again without having to change any fuses.

---

## Safety



### WARNING!

#### **Danger from incorrect operation and work that is not carried out properly.**

Serious personal injury and damage to property may result.

- ▶ All the work and functions described in this document must only be carried out by trained and qualified personnel.
  - ▶ Read and understand this document.
  - ▶ Read and understand all the system component Operating Instructions, especially the safety rules.
- 



### WARNING!

#### **Danger from electrical current.**

Serious injuries or death may result.

- ▶ Turn the mains switch of the power source to - O - and disconnect the power source from the mains
  - ▶ Secure all devices and components involved so they cannot be switched back on.
  - ▶ After opening the device, use a suitable measuring instrument to check that electrically charged components (such as capacitors) have been discharged.
- 



### WARNING!

#### **Electrical current hazard caused by an inadequate ground conductor connection.**

Serious personal injury and damage to property may result.

- ▶ Always use the original housing screws in the quantity initially supplied.
- 

## Displayed Faults

### **High temperature**

"hot" is shown in the display

Cause: Operating temperature is too high

Remedy: Leave the device to cool (Do not switch off the device - the fan will cool the device)

---

---

**Service messages**

If "Err" is displayed on the left display and an error code is displayed on the right display, this is an internal service code for the power source.

Example:



There can be multiple error codes. These appear by turning the adjustment wheel.



Take note of all displayed error codes as well as the serial number and configuration of the power source, and then contact the service center with a detailed error description.

---

**Err | 1-3 / 11 / 15 / 21 / 33-35 / 37-40 / 42-44 / 46-52**

Cause: Power module error  
Remedy: Contact the service team

---

**Err | 4**

Cause: Open circuit voltage has not been reached:  
Electrode is in contact with the component/hardware defect  
Remedy: Remove the electrode support from the component. If the service code continues to be displayed, contact service team

---

**Err | 5 / 6 / 12 / 14**

Cause: System start failure  
Remedy: Turn device off and on again. If this happens multiple times, inform service team

---

**Err | 10**

Cause: Overvoltage at the current socket ( $> 113 V_{DC}$ )  
Remedy: Contact the service team

---

**Err | 16 / 17 / 18**

Cause: Memory error  
Remedy: Contact service team;  
Err 16: press selection dial to acknowledge service message

---

**NOTE!**

**For standard device variants, acknowledging the service message does not have an effect on the power source's range of functions.**

For all other device variants (TIG, etc.), the power source only offers a restricted range of functions after acknowledgment. Inform the service team to re-establish the full range of functions.

---

**Err | 19**

Cause: Overtemperature or undertemperature

Remedy: Operate device at permitted ambient temperature. For more information about environmental conditions see "Environmental Conditions" in the "Safety Rules" section

**Err | 20**

Cause: Improper use of the device

Remedy: Only use the device in accordance with the intended purpose

**Err | 22**

Cause: Welding current set too high

Remedy: Ensure that the power source is being operated at the correct grid voltage; ensure the correct fuse is set; set a lower welding current

**Err | 37**

Cause: Grid voltage exceeds admissible limits

Remedy: Immediately pull out the mains plug and ensure that the power source is being operated at the correct grid voltage

**Err | 36 / 41 / 45**

Cause: Grid voltage is outside of the tolerance or grid output is insufficient for the connected device(s)

Remedy: Ensure that the power source is being operated at the correct grid voltage; ensure the correct fuse is set;

**Err | 65-75**

Cause: Error in communicating with the display

Remedy: Turn device off and on again / inform service team if this happens multiple times

**r | Err**

Cause: Error while determining the welding circuit resistance

Remedy: Inspect torch hosepack, welding torch, and grounding cable for damage; check connections and contacts; check the cleanliness of the workpiece surface.

For more information on determining the welding circuit resistance, refer to the 2nd TIG menu (see page [70](#)).

**No Function****Device cannot be switched on**

Cause: Defective power switch

Remedy: Inform service team

### **No welding current**

The power source is switched on, display for selected process illuminates

Cause: Welding power-lead connections interrupted

Remedy: Correctly establish welding power-lead connections

Cause: Poor grounding or no grounding at all

Remedy: Establish a connection with the workpiece

Cause: Power cable in the welding torch or electrode holder interrupted

Remedy: Replace welding torch or electrode holder

---

### **No welding current**

Switch on device, display illuminates for selected process, overtemperature display illuminates

Cause: Duty cycle exceeded - device overloaded - fan running

Remedy: Observe duty cycle

Cause: Thermal automatic circuit breaker has shut down the device

Remedy: Wait for device to cool down (do not switch off the device - the fan will cool the device); the power source will switch on again automatically after a short time

Cause: Fan in the power source is faulty

Remedy: Inform service team

Cause: Cooling air supply is insufficient

Remedy: Ensure there is a sufficient air supply

Cause: Air filter is dirty

Remedy: Clean air filter

Cause: Power module error

Remedy: Switch the device off and then on again  
If this error persists, inform service team

---

---

### **Inadequate function**

---

#### **Poor ignition properties during manual metal arc welding**

Cause: The wrong process has been selected

Remedy: Select "manual metal arc welding" or "manual metal arc welding with Cel electrodes" process

Cause: Starting current too low; electrode remains stuck during ignition process

Remedy: Raise starting current with HotStart function

Cause: Starting current too high; electrode burns too quickly during ignition process or spatters strongly

Remedy: Reduce starting current with SoftStart function

---

**Arc occasionally breaks during the welding process**

Cause: Break voltage ( $U_{co}$ ) is set too low  
Remedy: Raise the break voltage ( $U_{co}$ ) in the Setup menu

Cause: Voltage of the electrode too high (e.g. grooved electrode)  
Remedy: Use alternative electrode if possible or use power source with higher welding power

---

**Rod electrode tends to stick to the workpiece**

Cause: Value for dynamic parameter (manual metal arc welding) set too low  
Remedy: Set a higher value for dynamic parameter

---

**Poor-quality weld property**

(strong spattering)

Cause: Incorrect polarity of the electrode  
Remedy: Reverse the polarity of the electrode (observe manufacturer guidelines)

Cause: Poor ground earth connection  
Remedy: Attach earthing clamps directly to the workpiece

Cause: Non-viable setup setting for the selected process  
Remedy: Optimize the setting for the selected process in the Setup menu

---

**Tungsten electrode melts**

Tungsten inclusions in the parent material during the ignition phase

Cause: Incorrect polarity of the tungsten electrode  
Remedy: Connect TIG welding torch to the (-) current socket

Cause: Incorrect shielding gas, no shielding gas  
Remedy: Use inert shielding gas (argon)

---

# Service, maintenance and disposal

## General

The power source only requires minimal care and maintenance under normal operating conditions. However, several points must be observed in order for the power source to remain operational for years to come.

## Safety



### WARNING!

#### An electric shock can be fatal.

Before opening the device

- ▶ Set power switch to - O - on the welding power supply
- ▶ Unplug the welding power supply from mains power
- ▶ Secure against anyone turning on power again
- ▶ Use a suitable measuring instrument to ensure that electrically charged components (e.g., capacitors) are discharged



### WARNING!

#### Work performed incorrectly can cause serious injury and damage.

- ▶ The following activities must only be carried out by trained and qualified personnel.
- ▶ Please note the information in the "Safety instructions" chapter!

## At every start-up

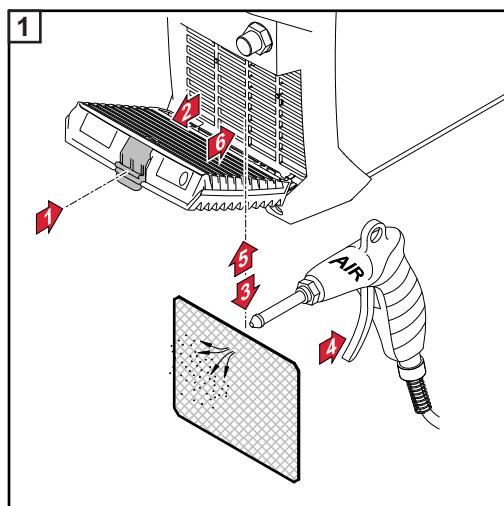
- Check mains plug and mains cable, as well as the welding torch, interconnecting hosepack, and ground earth connection for damage
- Check if the all-round clearance of the device is 0.5 m (1 ft. 8 in.) so that cooling air can circulate unimpeded

### NOTE!

**Air inlet and outlet openings must not be blocked or even partially covered.**

## Every two months

Clean air filter:





---

**Disposal**

Materials should be disposed of according to valid local and national regulations.



# Appendix



# Technical data

**Special Voltage** For devices designed for special voltages, the technical data on the rating plate applies.

**TT170 /EF,  
TT170 /np**

Grid voltage $U_1$	1 x 230 V
Mains voltage tolerance	- 30% / +15%
Grid frequency	50 / 60 Hz
Mains fuse protection	16 A slow-blow
Grid connection <sup>1)</sup>	$Z_{max}$ at PCC <sup>3)</sup> = 356 MOhm
Primary continuous power (100% D.C. <sup>2)</sup> )	2.7 kVA
Max. apparent power $S_{1max}$	3.5 kVA
Cos phi	0.99
Welding current range	
TIG	3 - 170 A
Rod electrode	10 - 150 A
Welding current at 10 min / 40 °C (104 °F), $U_1 = 230$ V	
TIG	40% D.C. <sup>2)</sup> / 170 A 60% D.C. <sup>2)</sup> / 155 A 100% D.C. <sup>2)</sup> / 140 A
Rod electrode	40% D.C. <sup>2)</sup> / 150 A 60% D.C. <sup>2)</sup> / 120 A 100% D.C. <sup>2)</sup> / 110 A
Open circuit voltage (pulsed)	
TIG	35 V
Rod electrode	101 V
Working voltage	
TIG	10.1 - 16.8 V
Rod electrode	20.4 - 26.0 V
Striking voltage $U_p$	9.0 kV
	The arc ignition device is suitable for manual operation
Degree of protection	IP 23
Type of cooling	AF
Insulation class	A
EMC device class (according to EN/IEC 60974-10)	A
Oversvoltage category	III
Pollution degree according to IEC60664	3
Ambient temperature	-10 °C - +40 °C / +14 °F - +104 °F
Storage temperature	-25 °C - +55 °C / -13 °F - +131 °F
Dimensions l x w x h	435 x 160 x 310 mm / 17.1 x 6.3 x 12.2 in.
Weight	9.8 kg / 21.61 lb.
Marks of conformity	CE

Safety symbol	S
Max. shielding gas pressure	5 bar / 73 psi
Noise emissions (L <sub>WA</sub> )	68.0 dB (A)

**TT 170 MV/B,  
TT 170 MV/np**

Grid voltage	1 x 120 V / 1 x 230 V
Mains voltage tolerance	
1 x 120 V	- 20% / +15%
1 x 230 V	- 30% / +15%
Grid frequency	50 / 60 Hz
Mains fuse protection	
1 x 120 V	20 A slow-blow
1 x 230 V	16 A slow-blow
Grid connection <sup>1)</sup>	$Z_{\max}$ at PCC <sup>3)</sup> = 356 mOhm
Primary continuous power (100% D.C. <sup>2)</sup> )	
1 x 120 V	1.8 kVA
1 x 230 V	2.7 kVA
Max. apparent power $S_{1\max}$	
1 x 120 V	2.8 kVA
1 x 230 V	3.5 kVA
Cos phi	0.99
Welding current range	
TIG / 1 x 120 V	3 - 140 A
TIG / 1 x 230 V	3 - 170 A
Rod electrode / 1 x 120 V	10 - 100 A
Rod electrode / 1 x 230 V	10 - 150 A
Welding current at 10 min / 40 °C (104 °F)	
TIG / 1 x 120 V	40% D.C. <sup>2)</sup> / 140 A 60% D.C. <sup>2)</sup> / 120 A 100% D.C. <sup>2)</sup> / 100 A
TIG / 1 x 230 V	40% D.C. <sup>2)</sup> / 170 A 60% D.C. <sup>2)</sup> / 155 A 100% D.C. <sup>2)</sup> / 140 A
Rod electrode / 1 x 120 V	40% D.C. <sup>2)</sup> / 100 A 60% D.C. <sup>2)</sup> / 90 A 100% D.C. <sup>2)</sup> / 80 A
Rod electrode / 1 x 230 V	40% D.C. <sup>2)</sup> / 150 A 60% D.C. <sup>2)</sup> / 120 A 100% D.C. <sup>2)</sup> / 110 A
Open circuit voltage (pulsed)	
TIG	35 V
Rod electrode	101 V
Working voltage	
TIG / 1 x 120 V	10.1 - 15.6 V
TIG / 1 x 230 V	10.5 - 16.8 V
Rod electrode / 1 x 120 V	20.4 - 24.0 V
Rod electrode / 1 x 230 V	20.4 - 26.0 V
Striking voltage $U_p$	9 kV

The arc ignition device is suitable for manual operation

Degree of protection	IP 23
Type of cooling	AF
Insulation class	A
EMC device class (according to EN/IEC 60974-10)	A
Overvoltage category	III
Pollution degree according to IEC60664	3
Ambient temperature	-10 °C - +40 °C / +14 °F - +104 °F
Storage temperature	-25 °C - +55 °C / -13 °F - +131 °F
Dimensions l x w x h	435 x 160 x 310 mm / 17.1 x 6.3 x 12.2 in.
Weight	9.8 kg / 21.61 lb.
Marks of conformity	CE, CSA
Safety symbol	S
Max. shielding gas pressure	5 bar / 73 psi
Noise emissions (L <sub>WA</sub> )	68.0 dB (A)



**TT 210 EF,  
TT 210 np**

Grid voltage $U_1$	1 x 230 V
Mains voltage tolerance	- 30% / +15%
Grid frequency	50 / 60 Hz
Mains fuse protection	16 A slow-blow
Grid connection <sup>1)</sup>	$Z_{\max}$ at PCC <sup>3)</sup> = 261 MOhm
Primary continuous power (100% D.C. <sup>2)</sup> )	3.2 kVA
Max. apparent power $S_{1\max}$	4.6 kVA
Cos phi	0.99
Welding current range	
TIG	3 - 210 A
Rod electrode	10 - 180 A
Welding current at 10 min / 40 °C (104 °F), $U_1 = 230$ V	
TIG	40% D.C. <sup>2)</sup> / 210 A 60% D.C. <sup>2)</sup> / 185 A 100% D.C. <sup>2)</sup> / 160 A
Rod electrode	40% D.C. <sup>2)</sup> / 180 A 60% D.C. <sup>2)</sup> / 150 A 100% D.C. <sup>2)</sup> / 120 A
Open circuit voltage (pulsed)	
TIG	35 V
Rod electrode	101 V
Working voltage	
TIG	10.1 - 18.4 V
Rod electrode	20.4 - 27.2 V
Striking voltage $U_p$	9.0 kV
	The arc ignition device is suitable for manual operation
Degree of protection	IP 23
Type of cooling	AF
Insulation class	A
EMC device class (according to EN/IEC 60974-10)	A
Overvoltage category	III
Pollution degree according to IEC60664	3
Ambient temperature	-10 °C - +40 °C / +14 °F - +104 °F
Storage temperature	-25 °C - +55 °C / -13 °F - +131 °F
Dimensions l x w x h	435 x 160 x 310 mm / 17.1 x 6.3 x 12.2 in.
Weight	9.8 kg / 21.61 lb.
Marks of conformity	CE
Safety symbol	S
Max. shielding gas pressure	5 bar / 73 psi
Noise emissions ( $L_{WA}$ )	68.0 dB (A)

**TT 210 MV/B,  
TT 210 MV/np**

Grid voltage	1 x 120 V / 1 x 230 V
Mains voltage tolerance	
1 x 120 V	- 20% / +15%
1 x 230 V	- 30% / +15%
Grid frequency	50 / 60 Hz
Mains fuse protection	
1 x 120 V	20 A slow-blow
1 x 230 V	16 A slow-blow
Grid connection <sup>1)</sup>	$Z_{\max}$ at PCC <sup>3)</sup> = 261 MOhm
Primary continuous power (100% D.C. <sup>2)</sup> )	
1 x 120 V	2.2 kVA
1 x 230 V	3.2 kVA
Max. apparent power $S_{1\max}$	
1 x 120 V	3.5 kVA
1 x 230 V	4.6 kVA
Cos phi	0.99
Welding current range	
TIG / 1 x 120 V	3 - 170 A
TIG / 1 x 230 V	3 - 210 A
Rod electrode / 1 x 120 V	10 - 120 A
Rod electrode / 1 x 230 V	10 - 180 A
Welding current at 10 min / 40 °C (104 °F)	
TIG / 1 x 120 V	40% D.C. <sup>2)</sup> / 170 A 60% D.C. <sup>2)</sup> / 150 A 100% D.C. <sup>2)</sup> / 120 A
TIG / 1 x 230 V	40% D.C. <sup>2)</sup> / 210 A 60% D.C. <sup>2)</sup> / 185 A 100% D.C. <sup>2)</sup> / 160 A
Rod electrode / 1 x 120 V	40% D.C. <sup>2)</sup> / 120 A 60% D.C. <sup>2)</sup> / 100 A 100% D.C. <sup>2)</sup> / 90 A
Rod electrode / 1 x 230 V	40% D.C. <sup>2)</sup> / 180 A 60% D.C. <sup>2)</sup> / 150 A 100% D.C. <sup>2)</sup> / 120 A
Open circuit voltage (pulsed)	
TIG	35 V
Rod electrode	101 V
Working voltage	
TIG / 1 x 120 V	10.1 - 16.8 V
TIG / 1 x 230 V	10.1 - 18.4 V
Rod electrode / 1 x 120 V	20.4 - 24.8 V
Rod electrode / 1 x 230 V	20.4 - 27.2 V
Striking voltage $U_p$	9 kV

The arc ignition device is suitable for manual operation

Degree of protection	IP 23
Type of cooling	AF
Insulation class	A
EMC device class (according to EN/IEC 60974-10)	A
Overvoltage category	III
Pollution degree according to IEC60664	3
Ambient temperature	-10 °C - +40 °C / +14 °F - +104 °F
Storage temperature	-25 °C - +55 °C / -13 °F - +131 °F
Dimensions l x w x h	435 x 160 x 310 mm / 17.1 x 6.3 x 12.2 in.
Weight	9.9 kg / 21.8 lb.
Marks of conformity	CE, CSA
Safety symbol	S
Max. shielding gas pressure	5 bar / 73 psi
Noise emissions (L <sub>WA</sub> )	68.0 dB (A)

**Explanation of Footnotes**

- /EF Power source with mains cable fitted
- /np Power source with mains cable fitted and without plug for the public grid
- /B Power source with mains cable to plug in
  
- 1) On a public grid with 230 V and 50 Hz
- 2) D.C. = duty cycle
- 3) PCC = interface to the public grid

**FRONIUS INTERNATIONAL GMBH**

Froniusstraße 1  
A-4643 Pettenbach  
AUSTRIA  
contact@fronius.com  
**www.fronius.com**

Under **www.fronius.com/contact** you will find the addresses  
of all Fronius Sales & Service Partners and locations.



Find your  
spareparts online



spareparts.fronius.com