



Barcode: 5060452080840

safestor™

Product code: HFC5

- » Medium duty hazardous storage cupboard.
- » Liquid-tight sump to contain spillages.
- » Designed for storing flammables or chemicals.



Product features



COSHH compliant



Sump capacity



UDL per shelf



Fire resistant



Safety signage

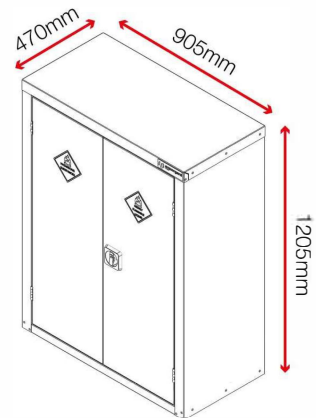


Cam lock

Product specifications

Weight	41kg
Colour	Traffic yellow: RAL 1023
Suitable for	Indoor storage of flammables or chemicals
Finished coating	Powder coated
Material & thickness	0.9mm steel
Quantity of keys	2 keys
How are castors fitted?	Not applicable
Other sizes available	8 other sizes
Ventilation	No
Qty of shelves as standard	2 shelves

Dimensions



Optional extras



Stand HCS2



SafeStor shelf

