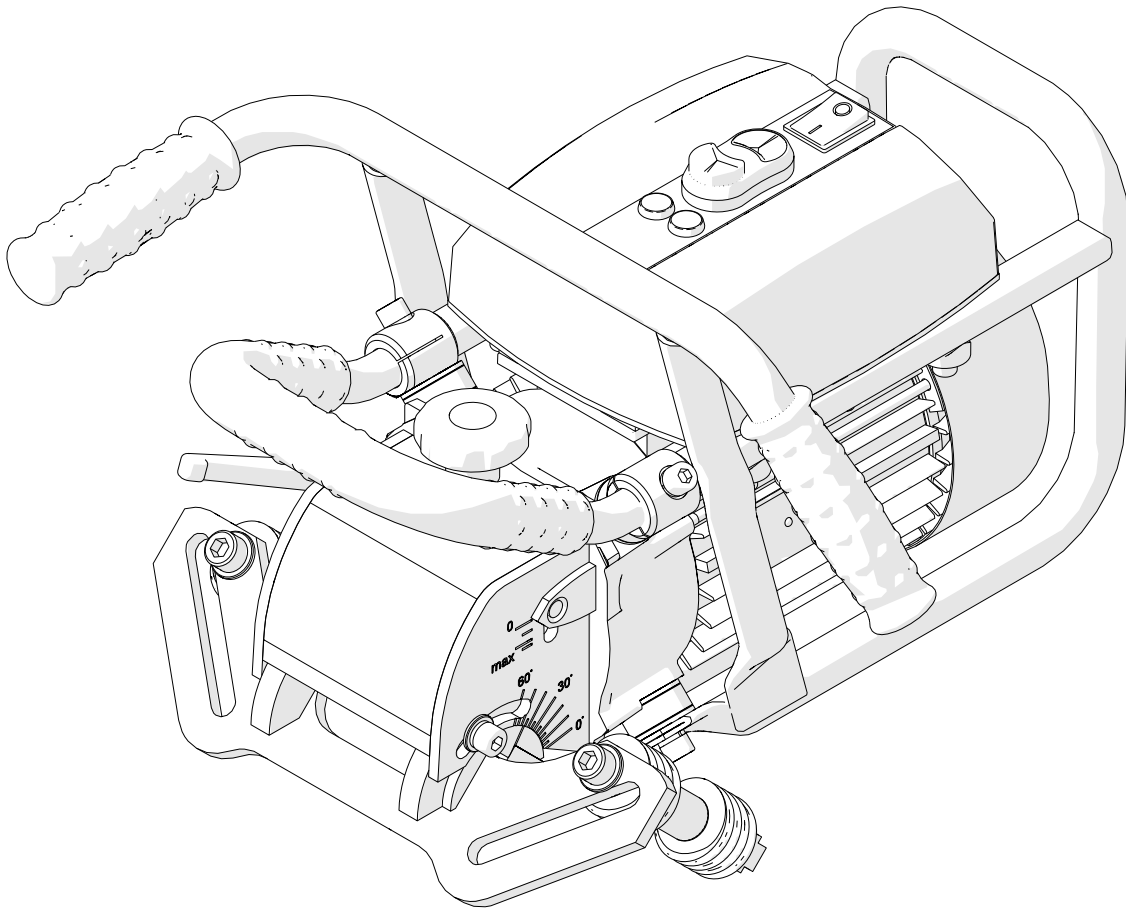


# Parts list

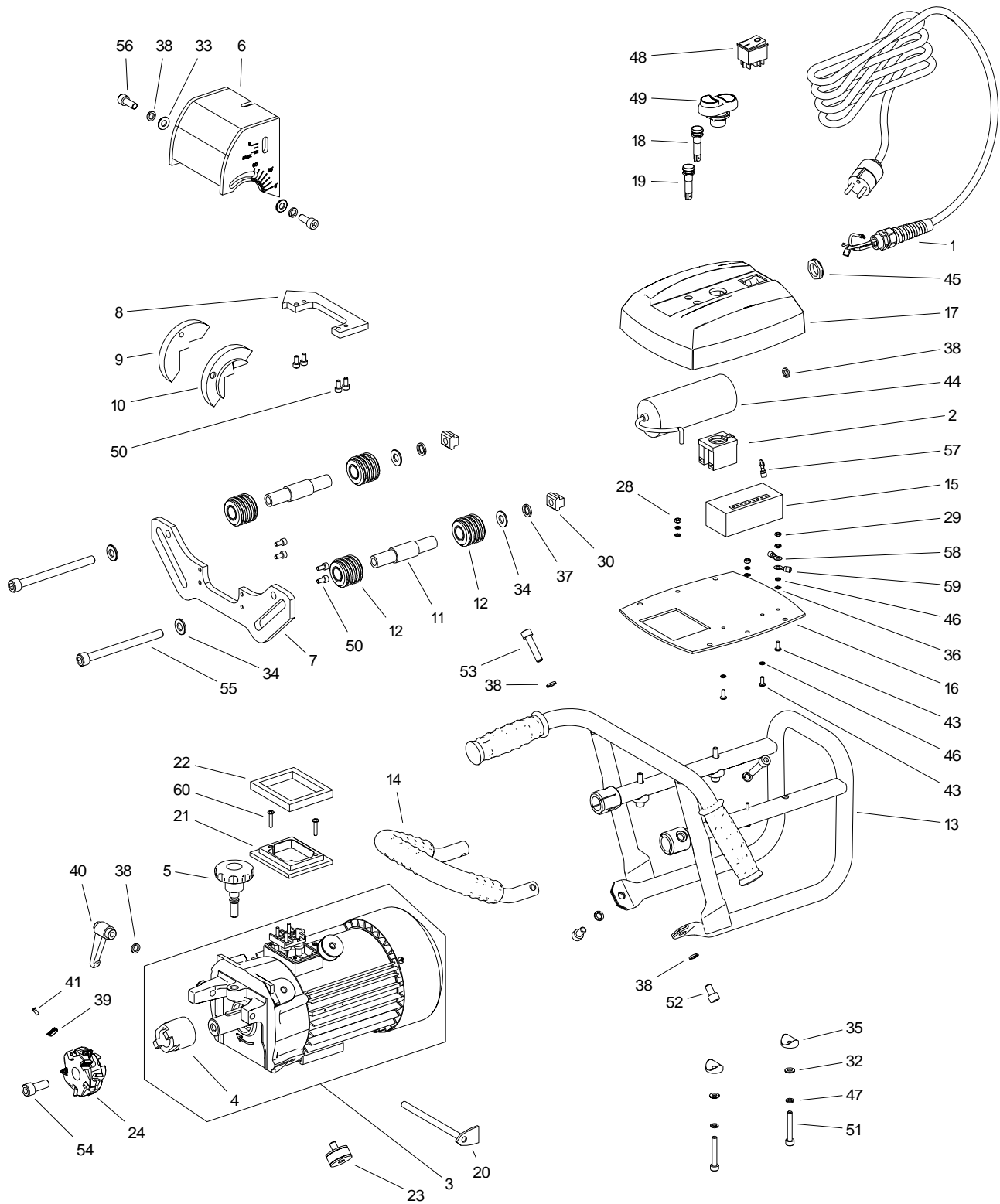
## **BM-21S**

### **BEVELLING MACHINE**



Unit 21 Empire Business Park, Enterprise Way, Burnley, Lancashire, BB12 6LT, Tel:  
01706 229490 Fax: 01706 507347

[www.steelbeast.co.uk](http://www.steelbeast.co.uk) Email: [sales@jeisolutions.co.uk](mailto:sales@jeisolutions.co.uk)

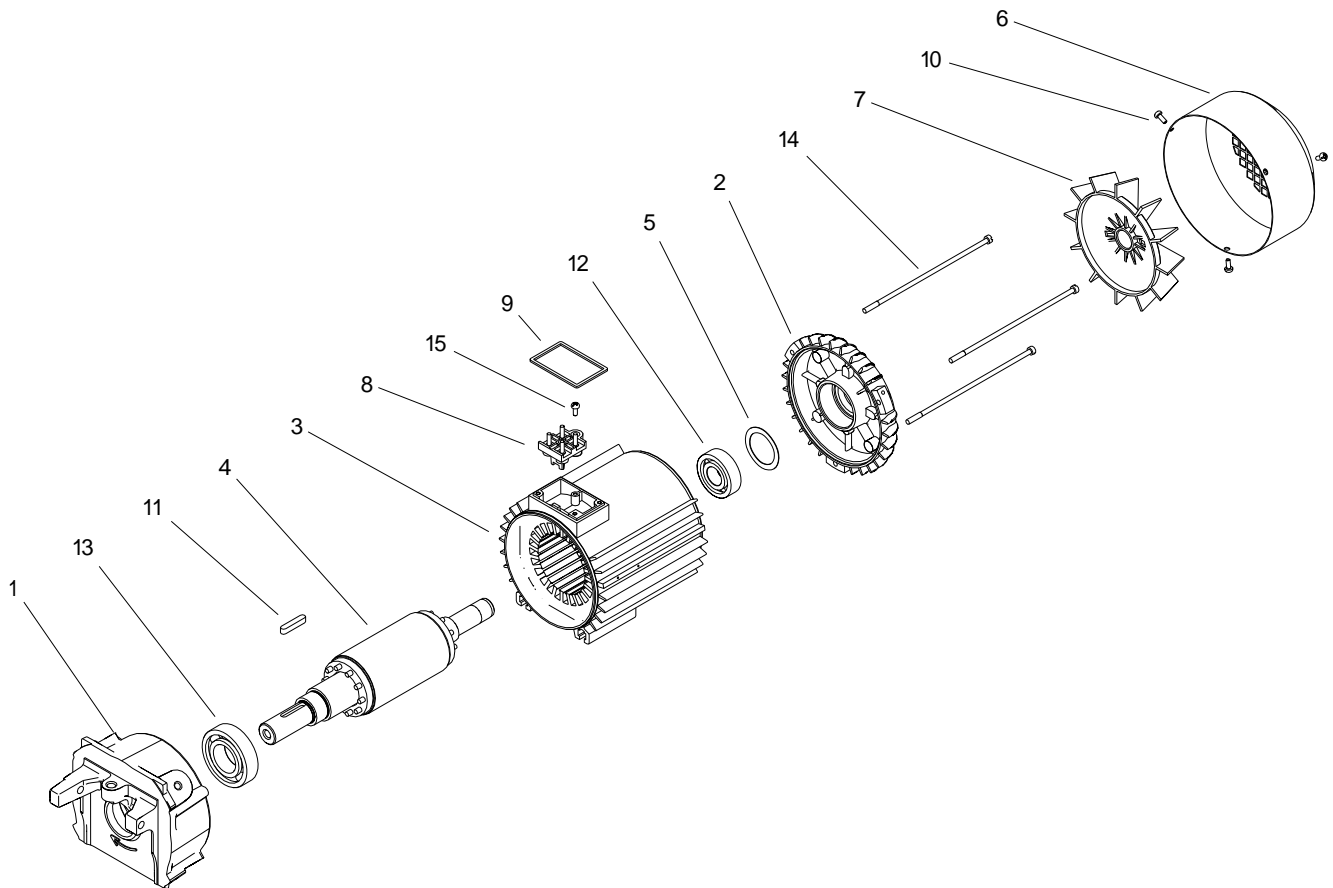


ITEM	PART NUMBER	DESCRIPTION	Qty
1	PWD-0461-17-00-00-0	POWER CORD - 230V	1
1	PWD-0461-17-00-00-1	POWER CORD - 115V	1
1	PWD-0461-17-00-00-2	POWER CORD - 230V (AU)	1
1	PWD-0461-17-00-00-3	POWER CORD 230V 3x1.5 WITH STRAIN RELIEF ASSY (INDIA)	1
1	PWD-0539-99-03-00-0	POWER CORD - 230V (JAPAN)	1
3	SLN-0505-01-00-00-2	MOTOR ASSY - 230V	1
3	SLN-0505-01-00-00-3	MOTOR ASSY - 115V	1
4	ZBI-0461-02-00-00-0	DRIVING RING	1
5	PKT-0461-04-00-00-0	KNOB	1
6	OSL-0461-05-00-00-0	MILLING HEAD COVER	1
7	PRW-0505-02-01-00-0	VERTICAL GUIDE	1
8	PRW-0505-02-02-00-0	HORIZONTAL GUIDE	1
9	OBS-0461-06-03-00-1	GUIDE HOLDER I	1
10	OBS-0461-06-04-00-1	GUIDE HOLDER II	1
11	OSK-0461-06-05-00-0	PIVOT	2
12	RLK-0505-02-03-00-0	ROLLER	4
13	RMK-0461-07-00-00-0	FRAME	1
14	RKJ-0461-08-00-00-0	FRONT HANDLE	1
15	MDL-0461-09-02-00-0	ELECTRONIC MODULE COMPLETE - 230V	1
15	MDL-0461-09-02-00-1	ELECTRONIC MODULE COMPLETE - 115V	1
15	MDL-0461-09-02-00-2	ELECTRONIC MODULE COMPLETE - 200V	1
16	PLY-0461-09-03-00-0	BOTTOM PLATE	1
17	PKR-0461-09-04-00-0	CONTROLLER HOUSING COVER	1
18	KON-0461-09-10-00-0	RED LAMP	1
19	KON-0461-09-11-00-0	YELLOW LAMP	1
20	WSK-0461-11-00-00-0	PENETRATION INDICATOR	1
21	LCZ-0461-12-00-00-0	LINK	1
22	USZ-0461-13-00-00-0	RUBBER SEAL	1
23	WBR-0461-14-00-00-0	DAMPER	4
24	GLW-0461-03-01-00-0	MILLING HEAD WITH BOLTS	1
28	NKR-000014	HEX. NUT M4	2
29	NKR-000032	NUT SHORT M4	2
30	NKR-000082	T-NUT	2
31	NIT-000010	ROUND HEAD RIVET 2x6	2
32	PDK-000021	ROUND WASHER 6,4	4
33	PDK-000022	ROUND WASHER 8,4	3
34	PDK-000026	ROUND WASHER 10,5	4
35	PDK-000175	SADDLE WASHER	4
36	PDK-000060	EXTERNAL TOOTH SPRING WASHER 4,3	6
37	PDK-000052	SPRING WASHER 10,2	2
38	PDK-000051	SPRING WASHER 8,2	8
39	PLY-000282	CUTTING INSERT	10
39**	PLY-000591	CUTTING INSERT	10
40	RKJ-000010	HANDLEVER	1
41	SRB-000311	MOUNTING BOLT	10
43	WKR-000183	SCREW M4x10 PHCRMS	4
44	KND-000114	CAPACITOR 30uF - 240V	1
44	KND-000115	CAPACITOR 80uF - 110V	1
45	NKR-000040	STRAIN RELIEF NUT	1
46	PDK-000043	SPRING WASHER 4,1	6
47	PDK-000046	SPRING WASHER 6,1	4

ITEM	PART NUMBER	DESCRIPTION	Qty
48	PNK-000013	POWER SWITCH	1
49	PRC-000007	MOTOR ON/OFF SWITCH	1
50	SRB-000075	HEX SOCKET BOLT M5x10	8
51	SRB-000124	HEX. SOCKET BOLT M6x40	4
52	SRB-000141	HEX. SOCKET BOLT M8x14	2
53	SRB-000156	HEX. SOCKET BOLT M8x35	2
54	SRB-000046	HEX. SOCKET BOLT M10x25	1
55	SRB-000309	HEX SOCKET BOLT M10x120	2
56	SRB-000148	HEX. SOCKET BOLT M8x20	2
57	WZK-0461-09-07-00-0	STOP BUTTON WIRE SET	1
58	WZK-0461-09-08-00-0	CONTROLLER PLATE GROUNDING WIRE	1
59	WZK-0461-09-09-00-0	MOTOR GROUNDING WIRE	1
60	WKR-000446	CROSS RECESSED SCREW M4x20	2
61*	SKR-0461-15-00-00-0	METAL BOX	1
62*	KLC-000011	ALLEN KEY s=8	1
65*	KLC-0461-16-00-00-0	ALLEN KEY s=6 -mod.	1
66*	WKT-000005	TORX PLUS SCREWDRIVER T15Px100	1
67*	KLC-000032	FLAT KEY s=12	1
68*	KLC-000007	ALLEN KEY s=4	1
69*	SMR-000005	GREASE FOR SCREWS	1
70*	OLJ-0505-09-00-00-0	OIL FOR STEEL	0,5kg
71*	OLJ-0505-10-00-00-0	OIL FOR STEEL	1kg
72*	OLJ-0505-11-00-00-0	OIL FOR STEEL	5kg

\*- not shown in the drawing

\*\*-optional



SLN-0505-01-00-00-2		MOTOR ASSY - 230V	
SLN-0505-01-00-00-3		MOTOR ASSY - 115V	
ITEM	PART NUMBER	DESCRIPTION	Qty
1	TRC-0461-01-02-00-2	BEARING DISK N	1
2	TRC-000024	BEARING DISK P	1
3	KDL-000003	STATOR BODY - 230V	1
3	KDL-000004	STATOR BODY - 110V	1
4	WRN-000051	ROTOR	1
5	PDK-000195	CLEARANCE REMOVAL SPRING WASHER	1
6	OSL-000193	FAN COVER	1
7	WNT-000008	FAN	1
8	TBL-000032	4-TERMINAL PLATE	1
9	USZ-000030	SEAL no.4	1
10	WKR-000466	SELF-TAPPING SCREW M4x8	3
11	WPS-000015	PIN A6x6x32	1
12	LOZ-000139	BALL BEARING 6204 2Z C3	1
13	LOZ-000140	BALL BEARING 6206 2Z CM	1
14	SRB-000349	DRAWBOLT E/M5x168	3
15	WKR-000467	SELF-TAPPING SCREW M4x12	1