

IM3000
09/2016
REV01

HANDY MIG / HANDY CORE

OPERATOR'S MANUAL

MANUALE OPERATIVO

BEDIENUNGSANLEITUNG

MANUAL DE INSTRUCCIONES

MANUEL D'UTILISATION

BRUKSANVISNING OG DELELISTE

GEBRUIKSAANWIJZING

BRUKSANVISNING

INSTRUKCJA OBSŁUGI



LINCOLN[®]
ELECTRIC

Lincoln Electric Bester Sp. z o.o.,
ul. Jana III Sobieskiego 19A, 58-263 Bielawa, Poland
www.lincolnelectric.com



Declaration of conformity
Dichiarazione di conformità
Konformitätserklärung
Declaración de conformidad
Déclaration de conformité
Samsvars erklæring
Verklaring van overeenstemming
Försäkran om överensstämmelse
Deklaracja zgodności

Bester Sp. z o.o.



Declares that the welding machine:
Dichiara che il generatore per saldatura tipo:
Erklärt, daß die Bauart der Maschine:
Declara que el equipo de soldadura:
Déclare que le poste de soudage:
Bekrefter at denne sveisemaskin:
Verklaart dat de volgende lasmachine:
Försäkrar att svetsomriktaren:
Deklaruje, że spawalnicze źródło energii:

HANDY MIG / HANDY CORE s/n

conforms to the following directives:
è conforme alle seguenti direttive:
den folgenden Bestimmungen entspricht:
es conforme con las siguientes directivas:
Est conforme aux directives suivantes:
er i samsvar med følgende direktiver:
Overeenkomt conform de volgende richtlijnen:
överensstämmer med följande direktiv:
spełnia następujące wytyczne:

2014/35/EU, 2014/30/EU

and has been designed in conformance with the following norms:
ed è stato progettato in conformità alle seguenti norme:
und in Übereinstimmung mit den nachstehenden Normen hergestellt wurde:
y ha sido diseñado de acuerdo con las siguientes normas:
et qu'il a été conçu en conformité avec les normes:
og er produsert og testet iht. følgende standarder:
en is ontworpen conform de volgende normen:
och att den konstruerats i överensstämmelse med följande standarder:
i że zostało zaprojektowane zgodnie z wymaganiami następujących norm:

EN 60974-1:2012, EN 60974-10:2014

20.04.2016

Piotr Spytek

Operations Director

Lincoln Electric Bester Sp. z o.o., ul. Jana III Sobieskiego 19A, 58-263 Bielawa, Poland

06/02

ENGLISH INDEX

Safety	4
Installation and Operator Instructions	5
Electromagnetic Compatibility (EMC)	8
Technical Specifications	9

INDICE ITALIANO

Sicurezza	10
Installazione e Istruzioni Operative	11
Compatibilità Elettromagnetica (EMC)	14
Specifiche Tecniche	15

INHALTSVERZEICHNIS DEUTSCH

Sicherheitsmaßnahmen / Unfallschutz	16
Installation und Bedienungshinweise	17
Elektromagnetische Verträglichkeit (EMC)	20
Technische Daten	21

INDICE ESPAÑOL

Seguridad	22
Instalación e Instrucciones de Funcionamiento	23
Compatibilidad Electromagnética (EMC)	26
Especificaciones Técnicas	27

INDEX FRANÇAIS

Sécurité	28
Installation et Instructions d'Utilisation	29
Compatibilité Electromagnétique (CEM)	32
Caractéristiques Techniques	32

NORSK INNHOLDSFORTEGNELSE

Sikkerhetsregler	33
Installasjon og Brukerinstruksjon	34
Elektromagnetisk Kompatibilitet (EMC)	37
Tekniske Spesifikasjoner	38

NEDERLANDSE INDEX

Veiligheid	39
Installatie en Bediening	40
Elektromagnetische Compatibiliteit (EMC)	43
Technische Specificaties	44

SVENSK INNEHÅLLSFÖRTECKNING

Säkerhetsanvisningar	45
Instruktioner för Installation och Handhavande	46
Elektromagnetisk Kompatibilitet (EMC)	49
Tekniska Specifikationer	50

SKOROWIDZ POLSKI

Bezpieczeństwo Użytkowania	51
Instrukcja Instalacji i Eksploatacji	52
Kompatybilność Elektromagnetyczna (EMC)	55
Dane Techniczne	56

Spare Parts, Parti di Ricambio, Ersatzteile, Lista de Piezas de Recambio, Pièces de Rechange, Deleliste, Reserve Onderdelen, Reservdelar, Wykaz Części Zamiennych	57
Electrical Schematic, Schema Elettrico, Elektrische Schaltpläne, Esquema Eléctrico, Schéma Electrique, Elektrisk Skjema, Elektrisch Schema, Elektriskt Kopplingschema, Schemat Elektryczny	62
Accessories, Accessori, Zubehör, Accesorios, Accessoires, Tilleggsutstyr, Accesorios, Tillbehör, Wyposażenie	63



WARNING

This equipment must be used by qualified personnel. Be sure that all installation, operation, maintenance and repair procedures are performed only by qualified individuals. Read and understand this manual before operating this equipment. Failure to follow the instructions in this manual could cause serious personal injury, loss of life, or damage to this equipment. Read and understand the following explanations of the warning symbols. Lincoln Electric is not responsible for damages caused by improper installation, improper care or abnormal operation.

	<p>WARNING: This symbol indicates that instructions must be followed to avoid serious personal injury, loss of life, or damage to this equipment. Protect yourself and others from possible serious injury or death.</p>
	<p>READ AND UNDERSTAND INSTRUCTIONS: Read and understand this manual before operating this equipment. Arc welding can be hazardous. Failure to follow the instructions in this manual could cause serious personal injury, loss of life, or damage to this equipment.</p>
	<p>ELECTRIC SHOCK CAN KILL: Welding equipment generates high voltages. Do not touch the electrode, work clamp, or connected work pieces when this equipment is on. Insulate yourself from the electrode, work clamp, and connected work pieces.</p>
	<p>FUMES AND GASES CAN BE DANGEROUS: Welding may produce fumes and gases hazardous to health. Avoid breathing these fumes and gases. To avoid these dangers the operator must use enough ventilation or exhaust to keep fumes and gases away from the breathing zone.</p>
	<p>ARC RAYS CAN BURN: Use a shield with the proper filter and cover plates to protect your eyes from sparks and the rays of the arc when welding or observing. Use suitable clothing made from durable flame-resistant material to protect you skin and that of your helpers. Protect other nearby personnel with suitable, non-flammable screening and warn them not to watch the arc nor expose themselves to the arc.</p>
	<p>WELDING SPARKS CAN CAUSE FIRE OR EXPLOSION: Remove fire hazards from the welding area and have a fire extinguisher readily available. Welding sparks and hot materials from the welding process can easily go through small cracks and openings to adjacent areas. Do not weld on any tanks, drums, containers, or material until the proper steps have been taken to insure that no flammable or toxic vapors will be present. Never operate this equipment when flammable gases, vapors or liquid combustibles are present.</p>
	<p>ELECTRICALLY POWERED EQUIPMENT: Turn off input power using the disconnect switch at the fuse box before working on this equipment. Ground this equipment in accordance with local electrical regulations.</p>
	<p>ELECTRICALLY POWERED EQUIPMENT: Regularly inspect the input, electrode, and work clamp cables. If any insulation damage exists replace the cable immediately. Do not place the electrode holder directly on the welding table or any other surface in contact with the work clamp to avoid the risk of accidental arc ignition.</p>
	<p>ELECTRIC AND MAGNETIC FIELDS MAY BE DANGEROUS: Electric current flowing through any conductor creates electric and magnetic fields (EMF). EMF fields may interfere with some pacemakers, and welders having a pacemaker should consult their physician before operating this equipment.</p>
	<p>CYLINDER MAY EXPLODE IF DAMAGED: Use only compressed gas cylinders containing the correct shielding gas for the process used and properly operating regulators designed for the gas and pressure used. Always keep cylinders in an upright position securely chained to a fixed support. Do not move or transport gas cylinders with the protection cap removed. Do not allow the electrode, electrode holder, work clamp or any other electrically live part to touch a gas cylinder. Gas cylinders must be located away from areas where they may be subjected to physical damage or the welding process including sparks and heat sources.</p>
	<p>WELDED MATERIALS CAN BURN: Welding generates a large amount of heat. Hot surfaces and materials in work area can cause serious burns. Use gloves and pliers when touching or moving materials in the work area.</p>
	<p>CE COMPLIANCE: This equipment complies to the European Communities directives.</p>



SAFETY MARK: This equipment is suitable for supplying power for welding operations carried out in an environment with increased hazard of electric shock.

Installation and Operator Instructions

Read this entire section before installation or operation of the machine.

General Description

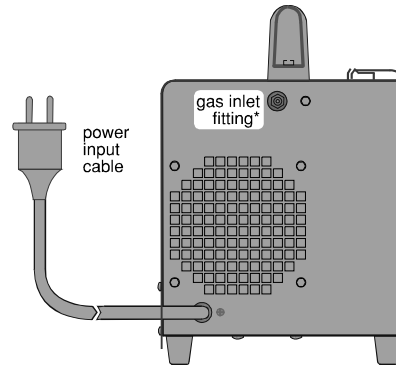
The machine is a semiautomatic constant voltage DC arc welder. The machine uses a single phase constant voltage transformer, solid state rectifier and a DC permanent magnet motor for feeding and welding solid steel electrode and flux-cored electrode (for HANDY MIG) and only flux-cored electrode (for HANDY CORE). This machine is ideally suited for individuals having access to 230 volt AC input power and wanting the ease of use, quality and dependability of both metal inert gas (MIG) welding and the Innershield electrode process (self-shielded flux-cored welding). The machine will handle reels of wire up to 1 Kg.

Location and Environment

This machine will operate in harsh environments. However, it is important that simple preventative measures are followed to assure long life and reliable operation.

- Do not place or operate this machine on a surface with an incline greater than 15° from horizontal.
- This machine must be located where there is free circulation of clean air without restrictions for air movement to and from the air vents. Do not cover the machine with paper, cloth or rags when switched on.
- Dirt and dust that can be drawn into the machine should be kept to a minimum.
- This machine has a protection rating of IP21. Keep it dry when possible and do not place it on wet ground or in puddles.
- Locate the machine away from radio controlled machinery. Normal operation may adversely affect the operation of nearby radio controlled machinery, which may result in injury or equipment damage. Read the section on electromagnetic compatibility in this manual.
- Do not operate in areas with an ambient temperature greater than 40°C.

Input Supply Connection



Check the input voltage, phase, and frequency supplied to this machine before turning it on. The allowable input voltage is indicated in the technical specification section of this manual and on the rating plate of the machine. Verify the connection of grounding wires from the machine to the input source.

Make sure the amount of power available from the input connection is adequate for normal operation of the machine. The necessary fuse and cable sizes are indicated in the technical specification section of this manual.

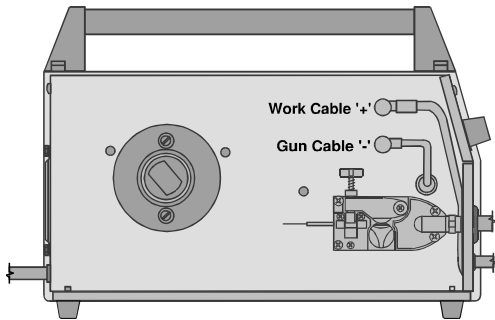
Shielding Gas Connection (only for Handy MIG)

When using the MIG process, a cylinder of shielding gas (appropriate for the metal being welded) must be obtained.

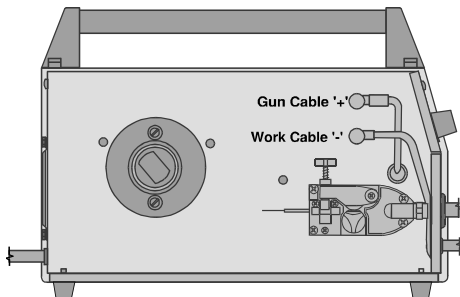
1. Chain the cylinder to a wall or other stationary support to prevent the cylinder from the work circuit and earth ground.
2. With the cylinder securely installed, remove the cylinder cup. Stand to one side away from the outlet and open the cylinder valve very slightly for an instant. This blows away any dust or dirty which may have accumulated in the valve outlet. Install the regulator on the gas cylinder.
3. Attach one end of the inlet hose to the output of the regulator secure with hose clamp. Connect the other end to the Gas Inlet Fitting on the machine and secure with hose clamp. Make certain the gas inlet hose is not kinked or twisted.

Changing Polarity (only for Handy MIG)

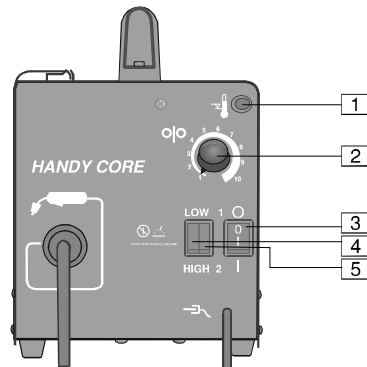
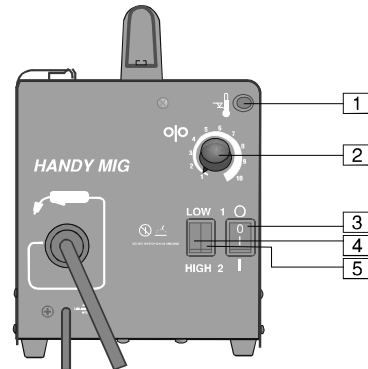
1. For Negative Polarity welding (DC-): Refer to below Figure. As delivered, the machine is wired for Negative polarity with the gun cable connected to the Negative (-) output terminal. This is the typical configuration for Flux Cored Welding (FCAW). To complete the installation, connect the work cable's terminal lug to the Positive (+) output terminal. Make sure that both thumbscrews are tight.



2. For Positive Polarity (DC+): Refer to below Figure. To wire for Positive polarity, connect the gun cable to the Positive (+) output terminal and the work cable to the Negative (-) terminal. This is the typical configuration for the Metal Inert Gas (MIG) process. Make sure that both thumbscrews are tight.



Controls and Operational Features



Refer to above Figures.

1. **Thermal Protection Indicator:** The machine has a rated output duty cycle of 20%. If the duty cycle is exceeded, thermal protector will shut off the output until the machine cools to a normal operating temperature. This is an automatic function of the machine and does not require user intervention.
2. **Wire Speed Control**
3. **Power ON/OFF Switch:** When the power is ON the welding output and wire feeder are ON ("hot") when the gun trigger is pressed.
4. **Low / High Heat Range Switch:** A rocker switch control that gives low or high coarse range adjustment of the power source output voltage.
5. **1 - 2 Fine Heat Adjustment Switch:** Allows fine adjustment of the voltage within the selected Low or High output range.

MIG Welding

Table below shows the recommended material/gas combinations for MIG welding with solid electrodes.

Material	Gas
Carbon Steel	CO ₂ or Argon / CO ₂
Low Alloy Steel	CO ₂ or Argon / CO ₂

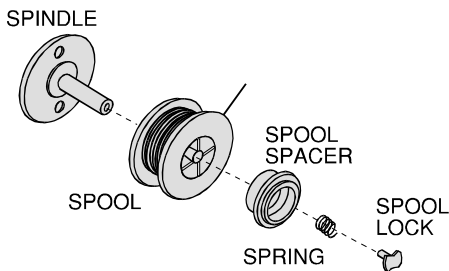
Flux-cored (Innershield) Welding

The recommended electrode for the flux-cored, selfshield process is 0.9 mm diameter Lincoln Innershield NR-211-MP on 0.45 kg spools.

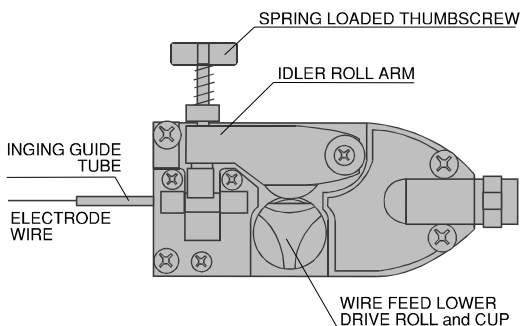
Sequence of Operations for Wire Loading

Turn machine power switch to the OFF ("0") position before working inside the wire feed enclosure. Make sure that the wire feed drive roll and contact tip of the gun match the diameter and type of wire used.

1. Push the spool onto the spindle so that the wire feeds off the bottom of the spool, toward the drive roll.
2. Push the spool spacer onto the spindle, against the spool. If it is necessary, for getting proper breaking torque you should rotate the spool spacer.
3. Slide the spring onto the spool, then press on the spool lock, turning it clockwise to lock the spool assembly onto the spindle.



4. Release the spring loaded thumbscrew and rotate the idle roll arm away from the wire feed drive roll. Ensure that the visible, stenciled size on the drive roll side facing you matches the wire size being used.



5. Carefully detach the end of the wire from the spool maintain tension on the wire. To prevent the spool from unwinding and do not release the wire until after step 8.

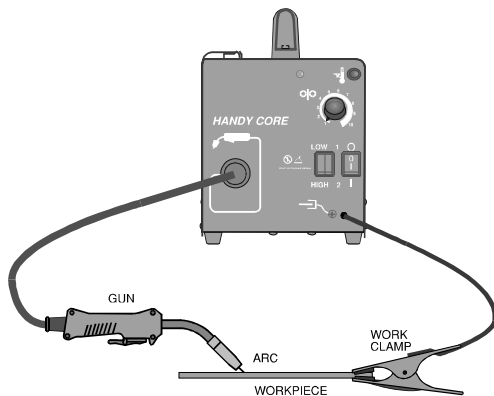
6. Cut the bent portion of wire off and straighten the first 100 mm.
7. Thread the wire through the ingoing guide tube, over the drive roll, and into the gun liner.
8. Close the idle roll arm and turn down the thumbscrew until the idle roller presses down firmly on the wire. (Now you may release the welding wire.) Make sure the wire is positioned in the groove of lower drive roll.
9. The spring loaded thumbscrew on the idle roll arm can be used as a "brake" to adjust the pressure on the wire. Adjust pressure by turning the thumbscrew to prevent wire overrun, but still allow smooth and easy wire feeding. Start with the pressure set to an intermediate value. Readjust, if necessary. Slightly less pressure may be required when using 0.6 mm wire. If the drive roll slips while feeding wire, the pressure should be increased until the wire feeds properly.
10. Remove the nozzle and contact tip from the gun.
11. Turn the machine ON ("1").
12. Straighten the gun cable assembly.
13. Depress the gun trigger switch and feed welding wire through the gun and cable. (Point the gun away from yourself and others while feeding wire.) Release the gun trigger after wire appears at the end of the gun.
14. Turn the machine OFF ("0").
15. Replace the contact tip. Cut the wire off so that 10 to 15 mm protrudes from the end of the tip.
16. Turn on the machine. The machine is now ready to weld.

Shielding Gas (only for Handy MIG)

When using the MIG process, you will need a cylinder of carbon dioxide (CO₂) or argon-carbon dioxide mixed shielding gas. The regulator should be installed on the gas cylinder. An adapter and plastic washer are needed for using 100% CO₂ gas. This adapter is available from your local gas supplier.

1. Open the cylinder valve slowly a fraction of a turn. When the cylinder pressure gauge pointer stops moving, open the valve fully.
2. Keep the cylinder valve closed, except when welding. When finished welding:
 - Close the cylinder valve to stop gas flow.
 - Depress the gun trigger briefly to release the pressure in the gas hose.
 - Turn off the machine.

Welding



1. Select the right welding process based on the type and condition of the pieces to be welded; the environment in which welding is to be done; and the desired finished appearance of the weld.
2. Select and install the welding wire to match the process. Use Genuine Lincoln Electric Brand wire. Wire quality is essential for successful welding.
3. Install the drive roll, contact tip, and nozzle appropriate for the weld process.
4. Check that the polarity is correct for the welding wire being used and that the gas supply, if required, is turned on.
5. Refer to above Figure. Connect the work clamp to the metal to be welded. The work clamp must make good electrical contact to the work piece. The work piece must also be grounded as stated in Welding Safety Precautions in the beginning of this manual.
6. Based on the welding process type and material thickness of the work piece, set the correct wire speed and heat range setting.
7. Based on the weld joint type and orientation of the weld joint, position the gun into the joint at the correct angel.
8. To begin welding, raise your hand shield to protect your eyes and pull the trigger.
9. While welding, travel at a constant speed and maintain an electrode stickout of 9 mm. Follow the correct direction of travel for the process and joint type and orientation.
10. To stop welding, release the gun trigger.
11. When no more welding is to be done, close the valve on the gas cylinder (if used), momentarily operate the gun trigger to release gas pressure, and turnoff the machine.

Cleaning Tip and Gas Nozzle

Clean the contact tip and gas nuzzle to avoid arc bridging between them. Bridging can result in a shorted nozzle, poor welds and an overheating gun. Anti-stick spray or gel, available from a welding distributor, may reduce buildup and aid in spatter removal.

Electromagnetic Compatibility (EMC)

02/02

This machine has been designed in accordance with all relative directives and norms. However, it may still generate electromagnetic disturbances that can affect other systems like telecommunications (telephone, radio, and television) or other safety systems. These disturbances can cause safety problems in the affected systems. Read and understand this section to eliminate or reduce the amount of electromagnetic disturbance generated by this machine.



This machine has been designed to operate in an industrial area. To operate in a domestic area it is necessary to observe particular precautions to eliminate possible electromagnetic disturbances. The operator must install and operate this equipment as described in this manual. If any electromagnetic disturbances are detected the operator must put in place corrective actions to eliminate these disturbances with, if necessary, assistance from Lincoln Electric.

Before installing the machine, the operator must check the work area for any devices that may malfunction because of electromagnetic disturbances. Consider the following.

- Input and output cables, control cables, and telephone cables that are in or adjacent to the work area and the machine.
- Radio and/or television transmitters and receivers. Computers or computer controlled equipment.
- Safety and control equipment for industrial processes. Equipment for calibration and measurement.
- Personal medical devices like pacemakers and hearing aids.
- Check the electromagnetic immunity for equipment operating in or near the work area. The operator must be sure that all equipment in the area is compatible. This may require additional protection measures.
- The dimensions of the work area to consider will depend on the construction of the area and other activities that are taking place.

Consider the following guidelines to reduce electromagnetic emissions from the machine.

- Connect the machine to the input supply according to this manual. If disturbances occur it may be necessary to take additional precautions such as filtering the input supply.
- The output cables should be kept as short as possible and should be positioned together. If possible connect the work piece to ground in order to reduce the electromagnetic emissions. The operator must check that connecting the work piece to ground does not cause problems or unsafe operating conditions for personnel and equipment.
- Shielding of cables in the work area can reduce electromagnetic emissions. This may be necessary for special applications.

 **WARNING**

The Class A equipment is not intended for use in residential locations where the electrical power is provided by the public low-voltage supply system. There can be potential difficulties in ensuring electromagnetic compatibility in those locations, due to conducted as well as radio-frequency disturbances.



WEEE

07/06

English



Do not dispose of electrical equipment together with normal waste!

In observance of European Directive 2012/19/EC on Waste Electrical and Electronic Equipment (WEEE) and its implementation in accordance with national law, electrical equipment that has reached the end of its life must be collected separately and returned to an environmentally compatible recycling facility. As the owner of the equipment, you should get information on approved collection systems from our local

representative.

By applying this European Directive you will protect the environment and human health!

Technical Specifications

INPUT			
Input Voltage 230 V ± 10% Single Phase	Input Power at Rated Output 2.5 kW @ 20% Duty Cycle	Frequency 50/60 Hertz (Hz)	
RATED OUTPUT AT 40°C			
Duty Cycle (Based on a 10 min. period) 20%	Output Current 70 A	Output Voltage 17.5 Vdc	
OUTPUT RANGE			
Welding Current Range 45-80 Amps		Maximum Open Circuit Voltage 29 Vdc	
RECOMMENDED INPUT CABLE AND FUSE SIZES			
Fuse or Circuit Breaker Size 16 A Superlag	Type of Plug 16A/250V (Included with Machine)	Input Power Cable 3 Conductor, 1.5 mm ²	
PHYSICAL DIMENSIONS			
Height 345 mm	Width 220 mm	Length 455 mm	Weight 20.9 Kg
Operating Temperature -20°C to +40°C		Storage Temperature -25°C to +55°C	



For any maintenance or repair operations it is recommended to contact the nearest technical service center or Lincoln Electric. Maintenance or repairs performed by unauthorized service centers or personnel will null and void the manufacturer's warranty.



AVVERTENZA

Questa macchina deve essere impiegata solo da personale qualificato. Assicuratevi che tutte le procedure di installazione, impiego, manutenzione e riparazione vengano eseguite solamente da persone qualificate. Leggere e comprendere questo manuale prima di mettere in funzione la macchina. La mancata osservanza delle istruzioni di questo manuale può provocare seri infortuni, anche mortali, alle persone, o danni alla macchina. Leggere e comprendere le spiegazioni seguenti sui simboli di avvertenza. La Lincoln Electric non si assume alcuna responsabilità per danni conseguenti a installazione non corretta, incuria o impiego in modo anormale.

	AVVERTENZA: Questo simbolo indica che occorre seguire le istruzioni per evitare seri infortuni, anche mortali, alle persone o danni a questa macchina. Proteggete voi stessi e gli altri dalla possibilità di seri infortuni anche mortali.
	LEGGERE E COMPRENDERE LE ISTRUZIONI: Leggere e comprendere questo manuale prima di far funzionare la macchina. La saldatura ad arco può presentare dei rischi. La mancata osservanza delle istruzioni di questo manuale può provocare seri infortuni, anche mortali, alle persone o danni alla macchina.
	LA FOLGORAZIONE ELETTRICA E' MORTALE: Le macchine per saldatura generano tensioni elevate. Non toccate l'elettrodo, il morsetto di massa o pezzi da saldare collegati alla macchina quando la macchina è accesa. Mantenetevi isolati elettricamente da elettrodo, morsetto e pezzi collegati a questo.
	FUMI E GAS POSSONO ESSERE PERICOLOSI: La saldatura può produrre fumi e gas dannosi alla salute. Evitate di respirare questi fumi e gas. Per evitare il pericolo l'operatore deve disporre di una ventilazione o di un'estrazione di fumi e gas che li allontanino dalla zona in cui respira.
	I RAGGI EMESSI DALL'ARCO BRUCIANO: Usate una maschera con schermatura adatta a proteggervi gli occhi da spruzzi e raggi emessi dall'arco mentre saldate o osservate la saldatura. Indossare indumenti adatti in materiale resistente alla fiamma per proteggere il corpo, sia vostro che dei vostri aiutanti. Le persone che si trovano nelle vicinanze devono essere protette da schermature adatte, non infiammabili, e devono essere avvertite di non guardare l'arco e di non esporvisi.
	GLI SPRUZZI DI SALDATURA POSSONO PROVOCARE INCENDI O ESPLOSIONI: Allontanare dall'area di saldatura quanto può prendere fuoco e tenere a portata di mano un estintore. Gli spruzzi o altri materiali ad alta temperatura prodotti dalla saldatura attraversano con facilità eventuali piccole aperture raggiungendo le zone vicine. Non saldare su serbatoi, bidoni, contenitori o altri materiali fino a che non si sia fatto tutto il necessario per assicurarsi dell'assenza di vapori infiammabili o nocivi. Non impiegare mai questa macchina se vi è presenza di gas e/o vapori infiammabili o combustibili liquidi.
	MACCHINA CON ALIMENTAZIONE ELETTRICA: Togliere l'alimentazione con l'interruttore ai fusibili prima di svolgere operazioni su questa macchina. Mettere la macchina a terra secondo le normative vigenti.
	MACCHINA CON ALIMENTAZIONE ELETTRICA: Ispezionare periodicamente i cavi di alimentazione, all'elettrodo e al pezzo. Se si riscontrano danni all'isolamento sostituire immediatamente il cavo. Non posare la pinza portaelettrodo direttamente sul banco di saldatura o qualsiasi altra superficie in contatto con il morsetto di massa per evitare un innesco involontario dell'arco.
	I CAMPI ELETTRICI E MAGNETICI POSSONO ESSERE PERICOLOSI: Il passaggio di corrente elettrica in un conduttore produce campi elettromagnetici. Questi campi possono interferire con alcuni cardiostimolatori ("pacemaker") e i saldatori con un cardiostimolatore devono consultare il loro medico su possibili rischi prima di impiegare questa macchina.
	LE BOMBOLE POSSONO ESPLODERE SE SONO DANNEGGIATE: Impiegare solo bombole contenenti il gas compresso adatto al processo di saldatura utilizzato e regolatori di flusso, funzionanti regolarmente, progettati per il tipo di gas e la pressione in uso. Le bombole vanno tenute sempre in posizione verticale e assicurate con catena ad un sostegno fisso. Non spostate le bombole senza il loro cappello di protezione. Evitate qualsiasi contatto dell'elettrodo, della sua pinza, del morsetto di massa o di ogni altra parte in tensione con la bombola del gas. Le bombole gas vanno collocate lontane dalle zone dove possano restare danneggiate dal processo di saldatura con relativi spruzzi e da fonti di calore.
	I MATERIALI SALDATI BRUCIANO: Il processo di saldatura produce moltissimo calore. Ci si può bruciare in modo grave con le superfici e materiali caldi della zona di saldatura. Impiegare guanti e pinze per toccare o muovere materiali nella zona di saldatura.

	CONFORMITÀ CE: Questa macchina è conforme alle Direttive Europee.
	MARCHIO DI SICUREZZA: Questa macchina è adatta a fornire energia per operazioni di saldatura svolte in ambienti con alto rischio di folgorazione elettrica.

Installazione e Istruzioni Operative

Leggere tutta questa sezione prima di installare o impiegare la macchina.

Descrizione Generale

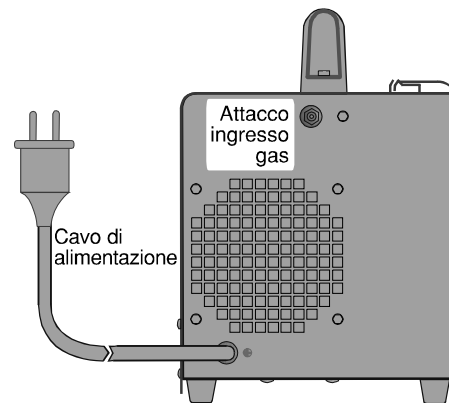
La macchina è una saldatrice semiautomatica in corrente continua a tensione costante. Impiega un trasformatore monofase a tensione costante, un raddrizzatore allo stato solido e un motore in c.c. a magnete permanente per alimentare e saldare con filo pieno e animato (HANDY MIG) e solo filo animato (HANDY CORE). La macchina è particolarmente adatta a utilizzatori che dispongano di una alimentazione a 230 V c.a. e desiderino la facilità d'impiego, la qualità e affidabilità sia della saldatura in MIG sia del procedimento con filo Innershield (filo animato senza protezione di gas). Si possono caricare sulla macchina bobine di peso massimo di 1 kg

Collocazione e ambiente

Questa macchina è in grado di funzionare in ambienti difficili. E' comunque importante seguire delle semplici misure di prevenzione per garantirne una lunga durata e un funzionamento affidabile.

- Non collocare o impiegare la macchina su superfici inclinate più di 15° rispetto all'orizzontale.
- La macchina va collocata ove vi sia una circolazione di aria pulita senza impedimenti al suo movimento in entrata e uscita dalle feritoie. Non coprire la macchina con fogli di carta, panni o stracci quando è accesa.
- Tenere al minimo polvere e sporco che possano entrare nella macchina.
- Questa macchina ha una protezione di grado IP21. Tenetela più asciutta possibile e non posatela su suolo bagnato o dentro pozzanghere.
- Disponete la macchina lontana da macchinari controllati via radio. Il suo funzionamento normale può interferire negativamente sul funzionamento di macchine controllate via radio poste nelle vicinanze, con conseguenze di infortuni o danni materiali. Leggete la sezione sulla compatibilità elettromagnetica di questo manuale.
- Non impiegate la macchina in zone ove la temperatura ambiente supera i 40°C.

Collegamento all'alimentazione



Prima di accendere la macchina controllate tensione, fase e frequenza di alimentazione. La tensione di alimentazione ammissibile è indicata nella sezione "Specifiche tecniche" di questo manuale e sulla targa della macchina. Verificate il collegamento del cavo di terra fra macchina e fonte di alimentazione. Assicuratevi che l'alimentazione fornisca una potenza sufficiente per il funzionamento normale della macchina. Nella sezione "Specifiche tecniche" di questo manuale sono indicate le dimensioni necessarie per fusibili e cavi.

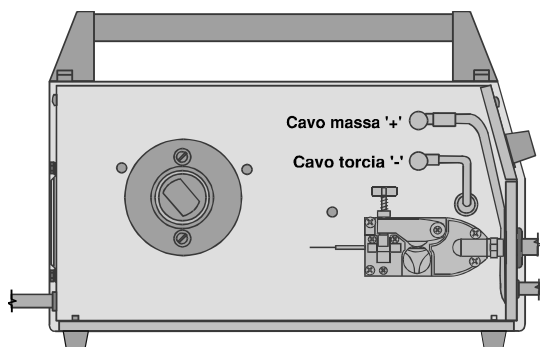
Collegamento al Gas di protezione (solo per l'Handy MIG)

Per saldare col procedimento MIG bisogna disporre di una bombola di gas di protezione adatto al metallo da saldare.

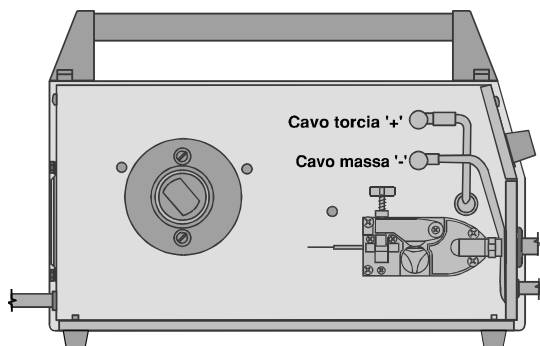
1. Fissare saldamente la bombola al muro o altro sostegno stabile con una catena o altro mezzo che ne impedisca il contatto con il cavo di massa o la messa a terra.
2. Una volta sistemata bene la bombola, toglierne il cappello. Tenetevi di fianco rispetto al foro di uscita e aprite appena un po' la valvola per un momento. Così si soffia via polvere e sporco che potrebbero essersi accumulati sul foro di uscita della valvola. Poi installate sulla bombola il regolatore.
3. Attaccare una estremità del tubo di ingresso gas all'uscita del regolatore e fissarvela colla fascetta stringitubo. Collegare l'altra estremità all'attacco ingresso gas sulla macchina e fissarvela colla fascetta stringitubo. Assicuratevi che il tubo non faccia pieghe o sia ritorto

Cambio della Polarità (solo per l'Handy MIG)

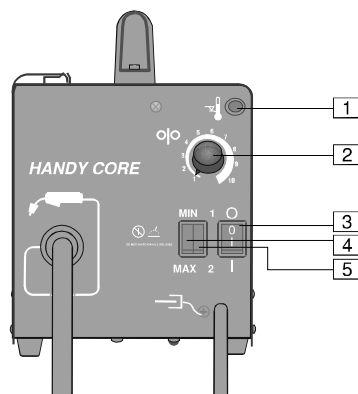
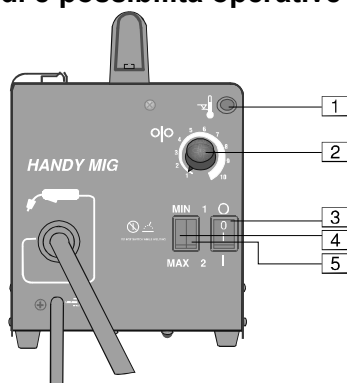
1. Per saldare in Polarità Negativa (c.c.-): Riferirsi alla Figura qui sotto. La macchina viene consegnata collegata per polarità Negativa, con il cavo torcia collegato al terminale negativo (-) di uscita. Si tratta della configurazione tipo per saldatura con filo animato (FCAW). Per completare l'installazione, collegare il terminale del cavo massa al terminale di uscita Positivo (+). Verificare che entrambe le viti di bloccaggio siano ben strette.



2. Per saldare in Polarità Positiva (c.c.+). Riferirsi alla Figura seguente. Per polarità Positiva, collegare il cavo torcia al terminale di uscita Positivo (+) e il cavo massa al terminale Negativo (-). Questa è la configurazione tipo per il procedimento sotto gas (MIG). Verificare che entrambe le viti di bloccaggio siano ben strette.



Comandi e possibilità operative



Riferirsi alle Figure qui sopra.

1. **Indicatore di protezione Termica:** La macchina ha un fattore nominale di intermittenza in uscita del 20%. Se lo si supera la protezione termica interrompe l'uscita fino a che la macchina si raffredda alla temperatura di funzionamento normale. Il sistema di protezione agisce automaticamente e non richiede l'intervento dell'utilizzatore.
2. **Controllo velocità del filo**
3. **Interruttore generale O/I:** Quando acceso (I) i terminali di uscita e il trainafilo sono *in tensione* se si preme il pulsante torcia.
4. **Commutatore Apporto termico Alto/Basso:** Interruttore a due posizioni che offre una regolazione grossolana su gamma alta o bassa di tensione in uscita dal generatore
5. **Commutatore di regolazione fine (1 - 2) dell'apporto termico:** Permette una regolazione fine della tensione all'interno della gamma, Alta o Bassa, di uscita selezionata

Saldatura MIG

La Tabella seguente indica le combinazioni materiale/gas raccomandate per la saldatura MIG con filo pieno.

Materiale	Gas
Acciaio al Carbonio	CO ₂ o Argon / CO ₂
Acciaio basso legato	CO ₂ o Argon / CO ₂

Saldatura con filo animato (Innershield)

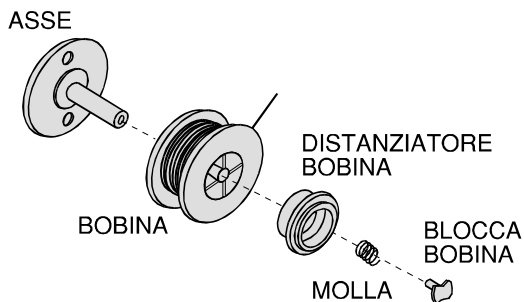
Il filo elettrodo raccomandato per procedimento con filo animato senza protezione di gas è il filo Lincoln Innershield NR-211-MP di diametro 0.9 mm in bobine da 0.45 kg.

Sequenza Operativa per il carico del filo

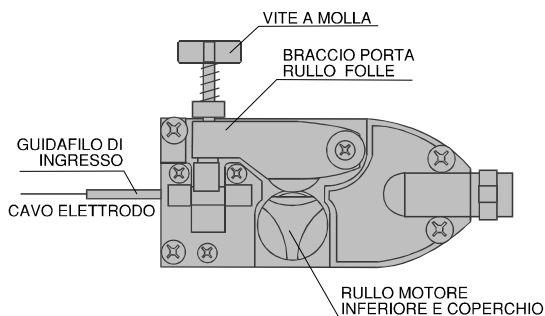
Spegnere la macchina (interruttore generale in posizione "0"), prima di lavorare entro l'involucro del trainafilo. Verificare che il rullo motore del trainafilo e la punta di contatto della torcia corrispondano al tipo e diametro di filo da usare.

1. Spingere la bobina sull'albero in modo che il filo si srotoli dall'alto della bobina verso il rullo motore.

- Infilare il distanziatore sull'albero spingendolo contro la bobina. Se necessario per ottenere una buona coppia di frenatura, ruotare il distanziatore.
- Infilare la molla sull'albero poi schiacciarvi sopra il blocco bobina, girandolo in senso orario per bloccare tutto il gruppo bobina sull'albero.



- Allentare la vite a molla e ruotare in alto il braccio che porta il rullo folle in modo da allontanarlo dal rullo motore. Verificate che la misura del filo visibile sul fianco del rullo motore che avete di fronte corrisponda a quella del filo da usare.
- Estrarre per l'estremità il filo dalla bobina facendo attenzione e mantenendolo in tensione. Per evitare che si srotoli da solo non lasciatelo fino a dopo aver completato il passo 8 della sequenza.



- Tagliare via la parte di filo piegata e raddrizzatene i primi 100 mm.
- Infilare il filo nel guidafile di ingresso, farlo passare sopra il rullo motore e dentro la guaina del tubo torcia.
- Chiudere il braccio che porta il rullo folle e stringere la vite fino a che il rullo folle schiaccia il filo ben fermo (adesso potete lasciarlo andare). Verificate che il filo si sia inserito nell'incavo del rullo motore sottostante.
- Si può usare la vite a molla sul braccio porta rullo folle come "freno" per regolare la pressione sul filo. La regolazione si ottiene ruotando la vite in modo da evitare che la bobina si srotoli, ma mantenendo un avanzamento regolare e facile. Iniziate posizionandovi su un valore centrale per la pressione e regolatelo come necessario. Con un filo da 0,6 mm può essere necessaria una pressione un

po' più bassa. Se il rullo motore slitta mentre alimenta il filo, aumentare la pressione fino ad ottenere un avanzamento regolare.

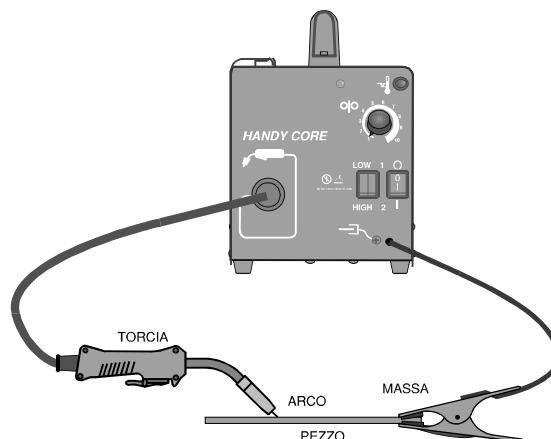
- Togliere dalla torcia il cono gas e la punta di contatto.
- Accendere la macchina (Interruttore su "I").
- Distendere in linea retta l'insieme torcia e cavo.
- Premere il pulsante torcia e far avanzare il filo lungo il cavo e attraverso la torcia (Puntate la torcia ben distante da voi stessi e dagli altri durante l'operazione). Quando il filo comincia ad uscire dalla torcia rilasciare il pulsante.
- Spegnere la macchina (Interruttore su "0").
- Rimettere a posto la punta di contatto. Tagliare il filo in modo che sporga dai 10 ai 15 mm dalla punta.
- Accendere la macchina. Adesso è pronta a saldare.

Saldatura sotto Gas di protezione (solo per l'Handy MIG)

Per saldare col procedimento MIG occorre disporre di una bombola di gas di protezione CO₂ o di una miscela argon-anidride carbonica. Alla bombola va applicato il regolatore. Con il 100% di CO₂ sono necessari anche un adattatore e una rondella di plastica, reperibili localmente presso i fornitori del gas.

- Aprire lentamente per una frazione di giro la valvola della bombola. Quando l'ago indicatore del manometro bombola si ferma, aprire del tutto la valvola.
- Tenere la valvola chiusa se non si sta saldando. A saldatura terminata:
 - Chiudere la valvola e arrestare il flusso del gas.
 - Premere brevemente il pulsante torcia per scaricare la pressione nel tubo gas.
 - Spegnere la macchina.

Saldatura



1. Scegliere il procedimento adatto sulla base del tipo e delle condizioni dei pezzi da saldare, dell'ambiente in cui si opera, e dell'aspetto finale che il cordone deve presentare.
2. Scegliere e installare il filo adatto al procedimento. Usare fili originali Lincoln Electric. Per una buona saldatura la qualità del filo è essenziale.
3. Installare il rullo motore, la punta di contatto e il cono gas adatti al procedimento.
4. Controllare che la polarità sia quella giusta per il filo impiegato e che il gas, se richiesto, sia aperto.
5. Riferirsi alla Figura qui sopra. Collegare il morsetto del cavo massa al metallo da saldare. Qui si deve realizzare un buon contatto elettrico fra morsetto e pezzo. Il pezzo inoltre va messo a terra come indicato nelle precauzioni di sicurezza all'inizio di questo Manuale.
6. Definire la velocità del filo e l'apporto termico corretti sulla base del procedimento di saldatura e dello spessore del pezzo.
7. Posizionare la torcia sul giunto con l'angolo corretto per il tipo e posizione del giunto.
8. Mettere la maschera di protezione per gli occhi e premere il pulsante per cominciare a saldare.
9. Durante la saldatura procedere a velocità costante e mantenendo uno stickout dell'elettrodo di 0,9 mm. Procedere nella direzione corretta per quel procedimento e per tipo e posizione del giunto.
10. Rilasciare il grilletto per arrestare la saldatura.
11. Se non vi è altro da saldare, chiudete la valvola sulla bombola (se è stata usata), scaricare la pressione del gas premendo brevemente il pulsante torcia, e spegnere la macchina.

Pulire la punta e il cono gas

Pulite la punta e il cono gas per evitare che fra loro scocchino archi. Questi possono causare la messa in corto del cono, saldature carenti e torcia surriscaldata. Si può ridurre l'accumulo di spruzzi e facilitarne la rimozione con uno spray o gel antiaderenti, reperibili dai rivenditori di materiali di saldatura.

Compatibilità Elettromagnetica (EMC)

Questa macchina è stata progettata nel rispetto di tutte le direttive e normative in materia. Tuttavia può generare dei disturbi elettromagnetici che possono interferire con altri sistemi come le telecomunicazioni (telefono, radio o televisione) o altri sistemi di sicurezza. I disturbi possono provocare problemi nella sicurezza dei sistemi interessati. Leggete e comprendete questa sezione per eliminare o ridurre il livello dei disturbi elettromagnetici generati da questa macchina.

06/02



La macchina è stata progettata per funzionare in ambienti di tipo industriale. Il suo impiego in ambienti domestici richiede particolari precauzioni per l'eliminazione dei possibili disturbi elettromagnetici. L'operatore deve installare e impiegare la macchina come precisato in questo manuale. Se si riscontrano disturbi elettromagnetici l'operatore deve porre in atto azioni correttive per eliminarli, avvalendosi, se necessario, dell'assistenza della Lincoln Electric.

Prima di installare la macchina, controllate se nell'area di lavoro vi sono dispositivi il cui funzionamento potrebbe risultare difettoso a causa di disturbi elettromagnetici. Prendete in considerazione i seguenti:

- Cavi di entrata o di uscita, cavi di controllo e cavi telefonici collocati nell'area di lavoro, presso la macchina o nelle adiacenze di questa.
- Trasmettitori e/o ricevitori radio o televisivi. Computers o attrezzature controllate da computer.
- Impianti di sicurezza e controllo per processi industriali. Attrezzature di taratura e misurazione.
- Dispositivi medici individuali come cardiostimolatori (pacemakers) o apparecchi acustici.
- Verificare che macchine e attrezzature funzionanti nell'area di lavoro o nelle vicinanze siano immuni da possibili disturbi elettromagnetici. L'operatore deve accertare che tutte le attrezzature e dispositivi nell'area siano compatibili. A questo scopo può essere necessario disporre misure di protezione aggiuntive.
- L'ampiezza dell'area di lavoro da prendere in considerazione dipende dalla struttura dell'area e dalle altre attività che vi si svolgono.

Per ridurre le emissioni elettromagnetiche della macchina tenete presenti le seguenti linee guida.

- Collegare la macchina alla fonte di alimentazione come indicato da questo manuale. Se vi sono disturbi, può essere necessario prendere altre precauzioni, come un filtro sull'alimentazione.
- I cavi in uscita vanno tenuti più corti possibile e l'uno accanto all'altro. Se possibile mettere a terra il pezzo per ridurre le emissioni elettromagnetiche. L'operatore deve controllare che questa messa a terra non provochi problemi o pericoli alla sicurezza del personale e della macchina e attrezzature.
- Si possono ridurre le emissioni elettromagnetiche schermando i cavi nell'area di lavoro. Per impieghi particolari questo può diventare necessario.

AVVERTENZA

Gli equipaggiamenti in classe A non sono prodotti per essere usati in ambienti residenziali dove l'energia elettrica in bassa tensione è fornita da un sistema pubblico. A causa di disturbi condotti ed irradiati ci possono essere delle difficoltà a garantire la compatibilità elettromagnetica in questi ambienti.



RAEE (WEEE)

07/06

Italiano



Non gettare le apparecchiature elettriche tra i rifiuti domestici!
In ottemperanza alla Direttiva Europea 2012/19/CE sui Rifiuti di Apparecchiature Elettriche ed Elettroniche (RAEE) e la sua attuazione in conformità alle norme nazionali, le apparecchiature elettriche esauste devono essere raccolte separatamente e restituite ad una organizzazione di riciclaggio ecocompatibile. Come proprietario dell'apparecchiatura, Lei potrà ricevere informazioni circa il sistema approvato di raccolta, dal nostro rappresentante locale.
Applicando questa Direttiva Europea Lei contribuirà a migliorare l'ambiente e la salute!

Specifiche Tecniche

ALIMENTAZIONE			
Tensione di alimentazione 230 V \pm 10 % Monofase	Potenza assorbita per uscita nominale 2.5 kW per fattore di intermittenza 20%	Frequenza 50/60 Hz	
USCITA NOMINALE a 40°C			
Fattore di intermittenza (su periodo di 10 minuti) 20%	Corrente in uscita 70 A	Tensione nominale in uscita 17.5 V c.c.	
USCITA			
Gamma corrente di saldatura 45-80 A		Massima tensione a vuoto 29 V c.c.	
DIMENSIONI RACCOMANDATE PER CAVI E FUSIBILI			
Fusibile o interruttore 16 A ritardato	Tipo di spina SCHUKO 16A/250V (fornito con la macchina)	Cavo di alimentazione 3 conduttori da 1.5 mm ²	
DATI FISICI - DIMENSIONI			
Altezza 345 mm	Larghezza 220 mm	Lunghezza 455 mm	Peso 20.9 kg
Temperatura di impiego -20°C a +40°C		Temperatura di immagazzinamento -25°C a + 55°C	

Per ogni operazione di manutenzione o riparazione si raccomanda di rivolgersi al più vicino centro di assistenza tecnica della Lincoln Electric. Manutenzioni o riparazioni effettuate da personale o centri di servizio non autorizzati fanno decadere la garanzia del fabbricante.

Sicherheitsmaßnahmen / Unfallschutz

06/02



ACHTUNG

Diese Anlage darf nur von ausgebildeten Leuten benutzt, gewartet und repariert werden. Schließen Sie dieses Gerät nicht an, arbeiten Sie nicht damit oder reparieren Sie es nicht, bevor Sie diese Betriebsanleitung gelesen und verstanden haben. Bei Nichtbeachtung der Hinweise kann es zu gefährlichen Verletzungen bis hin zum Tod oder zu Beschädigungen am Gerät kommen. Beachten Sie auch die folgenden Beschreibungen der Warnhinweise. Lincoln Electric ist nicht verantwortlich für Fehler, die durch inkorrekte Installation, mangelnde Sorgfalt oder Fehlbenutzung des Gerätes entstehen.

	ACHTUNG: Dieses Symbol gibt an, dass die folgenden Hinweise beachtet werden müssen, um gefährliche Verletzungen bis hin zum Tode oder Beschädigungen am Gerät zu verhindern. Schützen Sie sich und andere vor gefährlichen Verletzungen oder dem Tode.
	BEACHTEN SIE DIE ANLEITUNG: Lesen Sie diese Anleitung sorgfältig, bevor Sie das Gerät in Betrieb nehmen. Bei Nichtbeachtung der Hinweise kann es zu gefährlichen Verletzungen bis hin zum Tod oder zu Beschädigungen am Gerät kommen.
	STROMSCHLÄGE KÖNNEN TÖDLICH SEIN: Schweißgeräte erzeugen hohe Stromstärken. Berühren Sie keine stromführenden Teile oder die Elektrode mit der Haut oder nasser Kleidung. Schützen Sie beim Schweißen Ihren Körper durch geeignete isolierende Kleidung und Handschuhe.
	RAUCH UND GASE KÖNNEN GEFÄHRLICH SEIN: Schweißen erzeugt Rauch und Gase, die gesundheitsschädlich sein können. Vermeiden Sie das Einatmen dieser Metaldämpfe. Benutzen Sie eine Schweißrauchabsaugung, um die Dämpfe abzusaugen.
	LICHTBÖGEN KÖNNEN VERBRENNUNGEN HERVORRUFEN: Tragen Sie geeignete Schutzkleidungen und Schutzmasken für Augen, Ohren und Körper, um sich vor Spritzern und Strahlungen zu schützen. Warnen Sie auch in der Umgebung befindliche Personen vor den Gefahren des Lichtbogens. Lassen Sie keinen ungeschützt den Lichtbogen beobachten.
	SCHWEISSPRITZER KÖNNEN FEUER ODER EXPLOSIONEN VERURSACHEN: Entfernen Sie feuergefährliche Gegenstände vom Schweißplatz und halten Sie einen Feuerlöscher bereit. Schweißen Sie keine Behälter, die brennbare oder giftige Stoffe enthalten, bis diese vollständig geleert und gesäubert sind. Schweißen Sie niemals an Orten, an denen brennbare Gase, Stoffe oder Flüssigkeiten vorhanden sind.
	ELEKTRISCHE GERÄTE: Schalten Sie die Netzspannung am Sicherungskasten aus oder ziehen Sie den Netzstecker, bevor Arbeiten an der Maschine ausgeführt werden. Erden Sie die Maschine gemäß den geltenden elektrischen Bestimmungen.
	ELEKTRISCHE GERÄTE: Achten Sie regelmäßig darauf, dass Netz-, Werkstück- und Elektrodenkabel in einwandfreiem Zustand sind und tauschen Sie diese bei Beschädigung aus. Legen Sie den Elektrodenhalter niemals auf den Schweißarbeitsplatz, damit es zu keinem ungewollten Lichtbogen kommt.
	ELEKTRISCHE UND MAGNETISCHE FELDER BERGEN GEFAHREN: Elektrischer Strom, der durch ein Kabel fließt erzeugt, ein elektrisches und magnetisches Feld (EMF). EMF Felder können Herzschrittmacher beeinflussen. Bitte fragen Sie Ihren Arzt, wenn Sie einen Herzschrittmacher haben, bevor Sie dieses Gerät benutzen.
	DEFEKTE GASFLASCHEN KÖNNEN EXPLODIEREN: Benutzen Sie nur Gasflaschen mit dem für den Schweißprozess geeigneten Gas und ordnungsgemäßen Druckreglern, die für dieses Gas ausgelegt sind. Lagern Sie Gasflaschen aufrecht und gegen Umfallen gesichert. Bewegen Sie keine Gasflasche ohne Ihre Sicherheitskappe. Berühren Sie niemals eine Gasflasche mit der Elektrode, Elektrodenhalter, Massekabel oder einem anderen stromführenden Teil. Gasflaschen dürfen nicht an Plätzen aufgestellt werden, an denen sie beschädigt werden können, inklusive Schweißspritzern und Wärmequellen.
	GESCHWEISSTE MATERIALIEN KÖNNEN VERBRENNUNGEN VERURSACHEN: Schweißen verursacht hohe Temperaturen. Heiße Materialien können somit ernsthafte Verbrennungen verursachen. Benutzen Sie Handschuhe und Zangen, wenn Sie geschweißte Materialien berühren oder bewegen.
	CE Konformität: Dieses Gerät erfüllt die CE-Normen.



S-ZEICHEN: Dieses Gerät darf Schweißstrom in Umgebungen mit erhöhter elektrischer Gefährdung liefern.

Installation und Bedienungshinweise

Lesen Sie bitte sorgfältig diese Bedienungsanleitung, bevor Sie das Gerät anschließen oder in Betrieb nehmen.

Allgemeine Produktbeschreibung

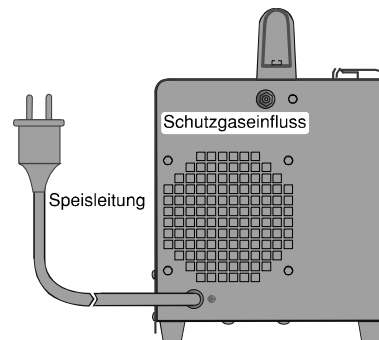
Das Handy MIG/CORE ist ein tragbares MIG/MAG-Schweißgerät für den Betrieb am einphasigen Lichtnetz mit 230 V AC. Die Bereitstellung des Schweißstroms erfolgt über einen einphasigen Transformator mit einer konstanten Spannungskennlinie und über eine elektronische Gleichrichtereinheit. Das Handy MIG ist sowohl zum Schweißen mit MIG/MAG-Massivdrahtelektroden unter Schutzgas als auch zum Schweißen mit selbstschützenden Fülldrahtelektroden ohne Schutzgas geeignet. Das Handy CORE ist ausschließlich für den Betrieb mit selbstschützenden Fülldrahtelektroden vorgesehen. Beide Gerätetypen sind einheitlich mit einem robusten Gleichstrommotor für den Drahtantrieb ausgestattet worden. Insgesamt ist dieses Schweißgerät für die Anwendungsfälle konzipiert worden, bei denen es auf besonders einfache und unkomplizierte Handhabung ankommt und als Stromversorgung das 230 V AC Lichtnetz ausreichen muss.

Standort und Umgebungsbedingungen

Diese Maschine ist für den Einsatz unter werkstattüblichen Bedingungen ausgelegt worden. Dennoch sollten die folgenden Punkte für eine lange Lebensdauer beachtet werden:

- Stellen Sie das Gerät nicht auf Ebenen mit mehr als 15° horizontaler Neigung.
- Die Maschine muss an einem Ort installiert werden, an dem eine freie und saubere Luftzirkulation gewährleistet ist. Bedecken Sie die Maschine nicht mit Papier, Stoff oder Plane, wenn sie eingeschaltet ist.
- Staub, der in die Maschine gelangen kann, sollte auf ein Minimum reduziert werden.
- Diese Maschine ist nach IP21 geschützt. Halten Sie die Maschine trocken, und stellen Sie diese nicht auf nassen Untergrund oder in Wasserpfützen.
- Halten Sie die Maschine von elektronischen Anlagen fern. Normaler Betrieb kann zu Störungen dieser Anlagen führen. Lesen Sie hierzu auch das Kapitel "Elektromagnetische Verträglichkeit". Betreiben Sie die Maschine nicht bei Temperaturen über 40°C.

Anschluss an das Stromnetz



Prüfen Sie die Netzspannung und Frequenz der Netzversorgung, bevor Sie die Maschine in Betrieb nehmen. Die erlaubte Eingangsspannung entnehmen Sie dieser Anleitung oder dem Typenschild der Maschine. Prüfen Sie die Erdverbindung der Maschine zum Netzeingang.

Stellen Sie sicher, dass die Leistung des Netzanschlusses für den ordnungsgemäßen Betrieb des Geräts ausreicht. Die Dimensionierung der Sicherung und die mindestens erforderlichen Kabelquerschnitte entnehmen Sie bitte der Angabe der technischen Daten in dieser Betriebsanleitung.

Schutzgasversorgung (nur für das Modell Handy MIG)

Für das MIG/MAG-Schweißen ist der Anschluss einer Schutzgasflasche erforderlich.

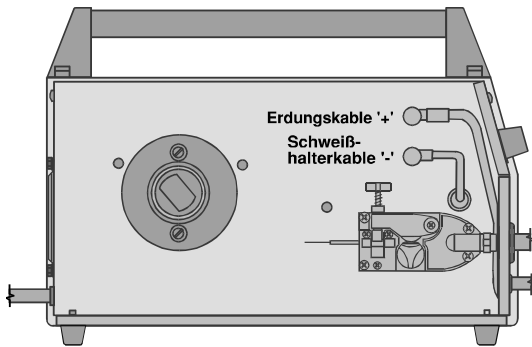
1. Achten Sie stets auf das vorschriftsmäßige Aufstellen der Schutzgasflasche und deren Sicherung gegen Umfallen mit einer entsprechenden Kette. Sorgen Sie hierbei unbedingt für eine elektrische Trennung der Gasflasche vom Schweißstromkreis und dessen Masseanschluss.
2. Nach dem vorschriftsmäßigen Aufstellen und Befestigen der Gasflasche wird zunächst die Schutzkappe abgeschraubt und anschließend ein geeigneter Gasdruckminderer installiert.
3. Schließen Sie den Gasschlauch an den Druckminderer an, und verbinden Sie das andere Ende des Schlauches mit dem Schutzgaseingang am Gerät. Sichern Sie die Schlauchverbindungen an beiden Seiten mit entsprechenden Schlauchschellen, und achten Sie darauf, dass der Gasschlauch grundsätzlich nicht verdreht oder geknickt wird.

Standort und Umgebung

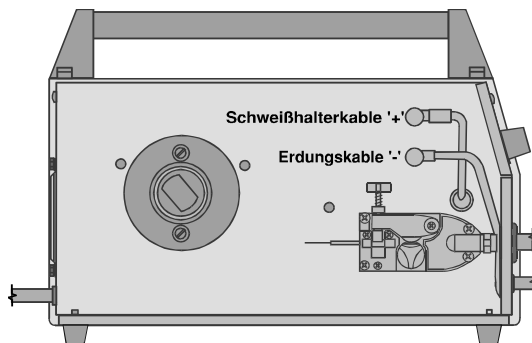
Wechsel der Elektrodenpolarität (nur für das Modell Handy MIG)

1. Schweißen mit der Elektrode am Minuspol (DC-), siehe Abbildung unten: Im Auslieferungszustand des Gerätes ist der Stromanschluss des Brenners mit

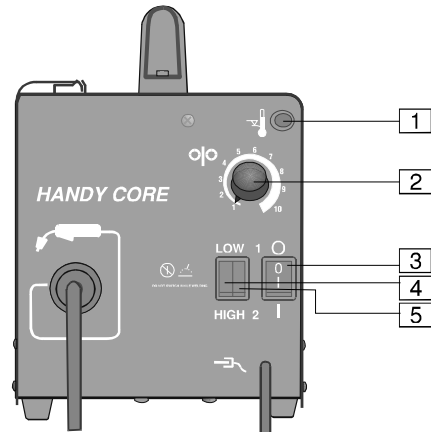
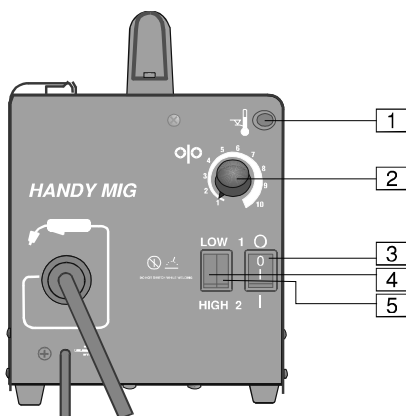
dem negativen (-) Pol des Gerätes verbunden. Dies entspricht der zum Schweißen mit selbstschützenden Fülldrahtelektroden vorgeschriebenen Elektrodenpolung. Schließen Sie die Masseleitung an den positiven (+) Pol des Gerätes an. Achten Sie bitte darauf, dass beide Flügelmuttern der Ausgangsanschlüsse fest angezogen werden.



- Schweißen mit der Elektrode am Pluspol (DC+), siehe Abbildung unten: Schließen Sie hierzu den Stromanschluss des Brenners an den positiven (+) Pol und das Massekabel an den negativen (-) Pol des Gerätes an. Dies entspricht der für die meisten MIG/MAG-Prozesse (Schweißen unter aktiven oder inerten Schutzgasen) vorgeschriebenen Elektrodenpolung.



Funktion der Bedienungselement



- Überlastungsanzeige:** Bei Überlastung des Gerätes durch Überschreitung der zulässigen Einschaltdauer, schaltet die thermische Überlastungssicherung den Schweißstrom so lange aus, bis das Gerät wieder auf eine zulässige Betriebstemperatur abgekühlt ist. Dies ist ein vollautomatisch ablaufender Prozess, der keinen weiteren Eingriff des Benutzers benötigt.
- Drehknopf zur Einstellung der Drahtvorschubgeschwindigkeit**
- EIN/AUS-Schalter:** Zum Einschalten des Gerätes. Auf Stellung EIN (I) befindet sich das Gerät in betriebsbereitem Zustand. Der eigentliche Schweißvorgang kann nun durch Drücken des Brenntasters aktiviert werden.
- MIN/MAX-Stufenschalter:** Mit diesem Kippschalter kann zwischen zwei Hauptleistungsstufen des Gerätes umgeschaltet werden.
- 1 - 2 -Stufenschalter:** Mit diesem Kippschalter kann zusätzlich innerhalb der beiden oben beschriebenen Hauptleistungsstufen die Ausgangsleistung zur Feinabstimmung innerhalb von zwei weiteren Stufen verändert werden.

Schweißen mit Massivdrahtelektroden:

Grundwerkstoff	Schutzgas
unlegierter Baustahl	CO ₂ oder Mischgas (Argon / CO ₂)
niedriglegierter Baustahl	CO ₂ oder Mischgas (Argon / CO ₂)

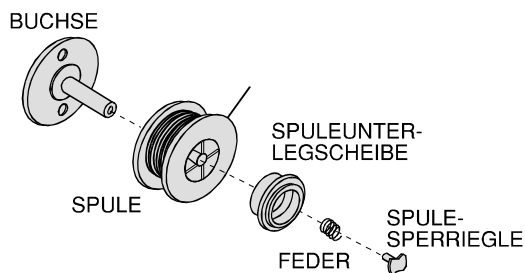
Schweißen mit selbstschützenden Fülldrahtelektroden (Innershield)

Die empfohlene Drahtelektrode zum Innershield-Schweißen für dieses Gerät ist der Lincoln NR-211-MP im Durchmesser 0,9 mm auf 0,45 kg-Spulen.

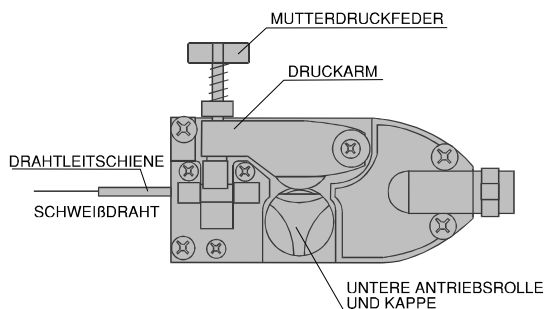
Einsetzen der Drahtspule

Schalten Sie das Gerät am Hauptschalter aus, bevor Sie die nachfolgend beschriebenen Handgriffe in der Umgebung der Drahtvorschubeinheit vornehmen. Vergewissern Sie sich, dass die eingesetzte Antriebsrolle und die Kontaktdüse am Brenner zu dem Durchmesser der von Ihnen gewählten Drahtelektrode passen.

- Schrauben Sie zunächst die Verriegelungsschraube vom Spulenaufnahmedorn ab, und entfernen Sie die darunter liegende Feder und den Zwischenring. Stecken Sie nun die Drahtspule so auf den Aufnahmedorn, dass der Draht beim Abspulen möglichst geradlinig in die Drahtvorschubeinheit eingezogen werden kann.
- Setzen Sie nun den Zwischenring wieder auf den Spulendorn auf, und sorgen Sie durch gegenseitiges Verdrehen von Drahtspule und Zwischenring für deren formschlüssiges Einrasten.
- Nach Aufstecken der Feder wird abschließend die Verriegelungsschraube zur Vorspannung der Feder wieder eingeschraubt.



- Lösen Sie nun an der Drahtvorschubeinheit die ebenfalls mit einer Druckfeder belastete Flügelmutter, und schwenken Sie die Andruckschraube zur Seite, so dass sich der Schwinghebel mit der passiven Gegendruckrolle hochklappen lässt. Überprüfen Sie bei dieser Gelegenheit noch einmal, dass der auf der Stirnfläche der Antriebsrolle angegebene Drahtdurchmesser mit dem des eingesetzten Drahtes übereinstimmt.



- Lösen Sie nun vorsichtig das an einer Seite der Drahtspule befestigte Drahtende. Sichern Sie hierzu zunächst mit einer Hand das ungewünschte Drehen der Drahtspule und halten Sie mit der anderen Hand das Drahtende stets unter Zugspannung. Lassen Sie in diesem Zustand das Drahtende keinesfalls einfach los, da sich sonst der federartig vorgespannte Draht selbstständig abspulen könnte.
- Schneiden Sie das abgeknickte Drahtende ab, und biegen Sie die ersten 100 mm des Drahtendes gerade.
- Führen Sie den Draht durch die Eingangsführung

über die Antriebsrolle in den Brenner ein.

- Schwenken Sie den Andruckhebel wieder herunter, und verriegeln Sie ihn entsprechend mit der Andruckschraube. Drehen Sie die Flügelmutter zur Vorspannung der Feder um einige Umdrehungen fest. Vergewissern Sie sich hierbei, dass der Draht exakt in der Rille der Antriebsrolle liegt.
- Achtung: Drehen Sie die Flügelmutter nicht zu fest an, sondern nur so weit wie nötig, um ein Durchrutschen der Antriebsrolle zu verhindern. Eine zu fest vorgespannte Gegendruckrolle kann zur Deformation des Drahtquerschnittes führen. Außerdem wird die Achse der Antriebsrolle hierdurch unnötig stark radial belastet.
- Entfernen Sie die Gasdüse und die Kontaktdüse am Brenner.
- Schalten Sie nun die Maschine ein ("I").
- Halten Sie den Brenner so, dass sein Schlauchpaket möglichst geradlinig zum Gerät verläuft.
- Drücken Sie den Brennertaster nun so lange, bis aus dem Brenner das Ende des Drahtes hervortritt. Halten Sie dabei den Brenner keinesfalls auf sich oder andere Personen gerichtet, und sorgen Sie für ausreichenden Abstand zu jeglichen Gegenständen, die sich in Ihrer Umgebung befinden.
- Schalten Sie nun das Gerät zunächst wieder aus ("0").
- Setzen Sie die Kontakt- und Gasdüse des Brenners ein. Schneiden Sie den Draht nun so weit ab, dass sein Ende etwa 10 - 15 mm aus der Kontaktdüse herausragt.
- Schalten Sie das Gerät wieder ein. Das Gerät ist nun schweißbereit.

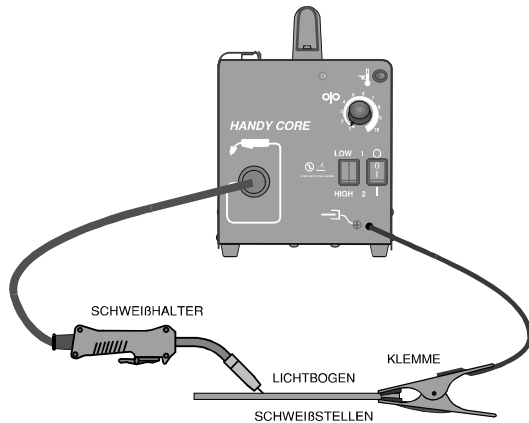
Schutzgasschweißen mit Massivdrahtelektroden (nur für das Modell Handy MIG)

Zum Schutzgasschweißen benötigen Sie zusätzlich zum Schweißgerät eine mit CO₂ oder Mischgas gefüllte Schutzgasflasche und einen entsprechenden Gasdruckminderer, der am Ventil der Flasche mit einer Überwurfmutter montiert wird. Beachten Sie hierzu unbedingt die im Abschnitt "Schutzgasversorgung" beschriebenen Hinweise. Erst nach dem die ordnungsgemäße und vollständige Installation der Schutzgasversorgung abgeschlossen wurde, fahren Sie mit den nachfolgend beschriebenen Schritten fort.

- Öffnen Sie das Ventil der Gasflasche zunächst nur zu einem Bruchteil einer Umdrehung. Erst wenn sich der Zeiger des Manometers am Gasdruckminderer nicht mehr weiterbewegt, öffnen Sie das Gasventil vollständig.
- Halten Sie in der Zeit, in der Sie nicht schweißen, das Gasflaschenventil stets geschlossen.
- Nach dem der Schweißvorgang beendet ist, gehen Sie wie folgt vor:
 - Schließen Sie das Ventil der Gasflasche.

- Drücken Sie kurz den Brenntaster, um den noch im Gasschlauch befindlichen Druck abzulassen.
- Schalten Sie das Gerät aus.

Der Schweißvorgang



1. Wählen Sie zunächst den für Ihre Schweißaufgabe am besten geeigneten Prozess aus. Die zu treffende Auswahl hängt hierbei entscheidend von der Art und Beschaffenheit des Werkstückes, den Umgebungsbedingungen des Schweißplatzes und den Anforderungen an das Erscheinungsbild der Nahtoberfläche ab.
2. Setzen Sie den zum ausgewählten Verfahren passenden Schweißdraht in das Gerät ein. Verwenden Sie hierzu stets Drahtelektroden von Lincoln Electric, da das Schweißergebnis im Wesentlichen von der Qualität der Drahtelektrode mitbestimmt wird.
3. Installieren Sie die passende Antriebsrolle, Kontakt- und Gas- bzw. Spritzerschutzdüse.
4. Vergewissern Sie sich, dass die Polung der Elektrode am Gerät mit der Vorschrift zum ausgewählten Verfahren übereinstimmt. Falls Sie mit Schutzgas schweißen, sorgen Sie für die ordnungsgemäße Installation und Bereitstellung der richtigen Schutzgasmenge.
5. Wie in der Abbildung oben dargestellt, schließen Sie die Masseklemme an das Werkstück an. Achten Sie

hierbei auf eine gute elektrische Verbindung zwischen Masseklemme und Werkstück. Wie bereits in den Sicherheitshinweisen zu Beginn dieser Anleitung beschrieben wurde, muss das Werkstück zusätzlich geerdet sein.

6. Stellen Sie nun passend zum ausgewählten Schweißprozess und entsprechend der zu verschweißenden Materialstärke die geeignete Schaltstufe und Drahtvorschubgeschwindigkeit ein.
7. Positionieren Sie nun den Brenner am Anfang der vorgesehenen Schweißnaht in dem zur Art und Ausrichtung der Schweißverbindung passenden Anstellwinkel.
8. Nehmen Sie nun das Schweißerschutzschild vor Ihr Gesicht, um Ihre Augen zu schützen, und drücken Sie danach den Brenntaster.
9. Achten Sie während des Schweißens auf eine gleichmäßige Bewegung des Brenners und einen möglichst konstant bleibenden Abstand zum Werkstück. Orientieren Sie die Richtung der Brennerführung exakt nach der Ausrichtung der Schweißverbindung, und beachten Sie besonders beim Schweißen mit selbstschützenden Fülldrähten die Einhaltung der vorgeschriebenen Länge des freien Drahtendes (Länge des aus der Kontaktdüse während des Schweißens herausstehenden Drahtes).
10. Zum Beenden des Schweißvorganges lösen Sie den Brenntaster.
11. Wenn die Schweißarbeiten insgesamt abgeschlossen sind, schließen Sie das Ventil der Schutzgasflasche (Falls Sie unter Schutzgas geschweißt haben). Drücken und lösen Sie noch einmal kurz den Brenntaster, um den noch in dem Gasschlauch befindlichen Druck abzulassen, und schalten Sie zuletzt das Gerät aus.

Reinigen von Kontakt- und Gasdüse

Reinigen Sie gelegentlich die Kontakt- und Gasdüse von Schweißspritzern, um der Bildung eines elektrischen Kurzschlusses zwischen beiden Teilen vorzubeugen. Neben der grundsätzlichen Verschlechterung der Schweißergebnisse kann diese Kurzschlussbildung zur Überhitzung des Brenners führen. Trennmittel, wie sie beispielsweise in Form von Sprays bei Ihrem schweißstechnischen Fachhändler erhältlich sind, reduzieren die Haftung der Schweißspritzer und sorgen somit für eine deutliche Vereinfachung der Brennerreinigung

Elektromagnetische Verträglichkeit (EMC)

08/02

Diese Maschine wurde unter Beachtung aller zugehörigen Normen und Vorschriften gebaut. Dennoch kann es unter besonderen Umständen zu elektromagnetischen Störungen anderer elektronischer Systeme (z.B. Telefon, Radio, TV, Computer usw.) kommen. Diese Störungen können im Extremfall zu Sicherheitsproblemen der beeinflussten Systeme führen. Lesen Sie deshalb diesen Abschnitt aufmerksam durch, um das Auftreten elektromagnetischer Störungen zu reduzieren oder ganz zu vermeiden.



Diese Maschine ist für den industriellen Einsatz konzipiert worden. Bei Benutzung dieser Anlage in Wohngebieten sind daher besondere Vorkehrungen zu treffen, um Störungen durch elektromagnetische Beeinflussungen zu vermeiden. Halten Sie sich stets genau an die in dieser Bedienungsanleitung genannten

Einsatzvorschriften. Falls dennoch elektromagnetische Störungen auftreten, müssen geeignete Gegenmaßnahmen getroffen werden. Kontaktieren Sie gegebenenfalls den Kundendienst der Lincoln Smitweld GmbH. Technische Änderungen der Anlage sind nur nach schriftlicher Genehmigung des Herstellers zulässig.

Vergewissern Sie sich vor der Inbetriebnahme des Schweißgerätes, dass sich keine für elektromagnetische Störungen empfänglichen Geräte und Anlagen im möglichen Einflussbereich befinden. Dies gilt besonders für:

- Steuerleitungen, Datenkabel und Telefonleitungen,
- Radio und Televisions-Sender oder -Empfänger sowie deren Kabelverbindungen,
- Computer oder computergesteuerte Anlagen,
- elektronische Sicherheitseinrichtungen und Steuereinheiten für industrielle Anlagen,
- elektronische Mess- und Kalibriereinrichtungen,
- medizinische Apparate und Geräte, Hörgeräte oder persönliche Implantate wie Herzschrittmacher usw. Achtung! Informieren Sie sich vor Inbetriebnahme der Anlage in der Nähe von Kliniken und Krankenhäusern über die hierzu gültigen Vorschriften, und sorgen Sie für die exakte Einhaltung aller erforderlichen Sicherheitsmaßnahmen!
- Prüfen Sie grundsätzlich die elektromagnetische Verträglichkeit von Geräten, die sich im Einflussbereich der Schweißanlage befinden.
- Dieser Einflussbereich kann in Abhängigkeit der physikalischen Umstände in seiner räumlichen Ausdehnung stark variieren.

Befolgen Sie zusätzlich die folgenden Richtlinien um elektromagnetische Abstrahlungen zu reduzieren:

- Schließen Sie die Maschine stets nur wie beschrieben an. Falls dennoch Störungen auftreten, muss eventuell ein zusätzlicher Netzfilter eingebaut werden.
- Halten Sie die Länge der Schweißkabel möglichst auf ein erforderliches Mindestmaß begrenzt.
- Wenn möglich, sollte das Werkstück separat geerdet werden. Beachten Sie stets bei allen Maßnahmen, dass hierdurch keinerlei Gefährdung von direkt oder indirekt beteiligten Menschen verursacht wird.

 **WARNUNG**

Die Ausrüstung der Klasse A ist nicht für Gebrauch in Wohnanlagen ausgelegt, in denen die elektrische Leistung von der allgemeinen Schwachstromversorgung zur Verfügung gestellt wird. Es kann mögliche Schwierigkeiten geben, wenn man elektromagnetische Kompatibilität in jenen Positionen sicherstellen kann.



WEEE

07/06

Deutsch



Werfen Sie Elektrowerkzeuge nicht in den Hausmüll!
 Gemäss Europäischer Richtlinie 2012/19/EG über Elektro- und Elektronik- Altgeräte (Waste Electrical and Electronic Equipment, WEEE) und Umsetzung in nationales Recht müssen verbrauchte Elektrowerkzeuge getrennt gesammelt und einer umweltgerechten Wiederverwertung zugeführt werden. Als Eigentümer diese Werkzeuges sollten sie sich Informationen über ein lokales autorisiertes Sammel- bzw. Entsorgungssystem einholen.
 Mit der Anwendung dieser EU Direktive tragen sie wesentlich zur Schonung der Umwelt und ihrer Gesundheit bei!

Technische Daten

Netzeingang			
Eingangsspannung 230 V ± 10% Einphasig	Leistungsaufnahme 2.5 kW @ 20% ED	Frequenz 50/60 Hertz (Hz)	
Leistungsdaten 40°C			
Einschaltdauer (basierend auf 10min-Zyklus) 20%	Ausgangsstromstärke 70 A	Ausgangsspannung 17.5 V DC	
Ausgangsleistung			
Schweißstrombereich 45-80 A		Maximale Leerlaufspannung 29 V DC	
Primärkabelquerschnitte und Absicherung			
Sicherung oder Sicherungsautomat 16 A Superträge	Primärstecker SCHUKO 16A/250V (Im Lieferumfang enthalten)	Primärkabel 3-Adern, 1.5 mm ²	
Abmessungen			
Höhe 345 mm	Breite 220 mm	Länge 455 mm	Gewicht 20.9 Kg
Zulässige Umgebungstemperaturen -20°C to +40°C		Lagerungstemperaturen -25°C to +55°C	



Für Wartung und Reparatur des Gerätes konsultieren Sie bitte Ihren Fachhändler oder die Lincoln Smitweld GmbH. Eine unsachgemäß durchgeführte Wartung oder Reparatur durch eine nicht qualifizierte Person führt zum Erlöschen der Garantie.



ATENCIÓN

Este equipo debe ser utilizado por personal cualificado. Asegúrese de que todos los procedimientos de instalación, funcionamiento, mantenimiento y reparación son realizados únicamente por personal cualificado. Lea y comprenda este manual antes de trabajar con el equipo. No seguir las instrucciones que se indican en este manual podría provocar lesiones personales de distinta gravedad, incluida la muerte o daños a este equipo. Lea y comprenda las explicaciones de los símbolos de advertencia, que se muestran a continuación. Lincoln Electric no se hace responsable de los daños producidos por una instalación incorrecta, una falta de cuidado o un funcionamiento inadecuado.

	¡PELIGRO!: Este símbolo indica qué medidas de seguridad se deben tomar para evitar lesiones personales de diferente gravedad, incluida la muerte, o daños a este equipo. Protéjase usted y a los demás contra posibles lesiones personales de distinta gravedad, incluida la muerte.
	LEA Y COMPRENDA LAS INSTRUCCIONES: Asimile el contenido de este manual de instrucciones antes de trabajar con el equipo. La soldadura al arco puede ser peligrosa. NO seguir las instrucciones que se indican en este manual podría provocar lesiones personales de distinta gravedad, incluida la muerte, o daños a este equipo.
	LA DESCARGA ELECTRICA PUEDE MATAR: Los equipos de soldadura generan voltajes elevados. No toque el electrodo, la pinza de masa, o las piezas a soldar cuando el equipo esté en marcha. Aíslese del electrodo, la pinza de masa, o las piezas en contacto cuando el equipo esté en marcha.
	LOS HUMOS Y LOS GASES PUEDEN SER PELIGROSOS: La soldadura puede producir humos y gases peligrosos para la salud. Evite respirarlos. Utilice la suficiente ventilación y/o extracción de humos para mantener los humos y gases alejados de la zona de respiración.
	LA LUZ DEL ARCO PUEDE QUEMAR: Utilice una pantalla de protección con el filtro adecuado para proteger sus ojos de la luz y de las chispas del arco cuando se suelde o se observe una soldadura por arco abierto. Use ropa adecuada de material ignífugo para proteger la piel de las radiaciones del arco. Proteja a otras personas que se encuentren cerca del arco y/o adviértales que no miren directamente al arco ni se expongan a su luz o sus proyecciones.
	LAS PROYECCIONES DE SOLDADURA PUEDEN PROVOCAR UN INCENDIO O UNA EXPLOSIÓN: Retire del lugar de soldadura todos los objetos que presenten riesgo de incendio. Tenga un extintor de incendios siempre a mano. Recuerde que las chispas y las proyecciones calientes de la soldadura pueden pasar fácilmente por aberturas pequeñas. No caliente, corte o suelde tanques, tambores o contenedores hasta haber tomado las medidas necesarias para asegurar que tales procedimientos no van a producir vapores inflamables o tóxicos. No utilice nunca este equipo cuando haya presente gases inflamables, vapores o líquidos combustibles.
	EQUIPOS ELÉCTRICOS: Desconecte la alimentación del equipo desde el interruptor de red o desde la caja de fusibles antes de reparar o manipular el interior de este equipo. Conecte el tierra de este equipo de acuerdo con el reglamento eléctrico local.
	EQUIPOS ELÉCTRICOS: Inspeccione con regularidad los cables de red, electrodo y masa. Si hay algún daño en el aislamiento sustituya dicho cable inmediatamente. No coloque directamente la pinza portaelectrodos sobre la mesa de soldadura o sobre cualquier otra superficie que esté en contacto con la pinza de masa para evitar el riesgo de un cebado accidental del arco.
	LOS CAMPOS ELÉCTRICOS Y MAGNÉTICOS PUEDEN SER PELIGROSOS: La corriente eléctrica que circula a través de un conductor origina campos eléctricos y magnéticos (EMF) localizados. Los campos EMF pueden interferir con los marcapasos, las personas que utilicen estos dispositivos deben consultar a su médico antes de acercarse a una máquina de soldar.
	LA BOTELLA DE GAS PUEDE EXPLOTAR SI ESTA DAÑADA: Emplee únicamente botellas que contengan el gas de protección adecuado para el proceso utilizado y reguladores en buenas condiciones de funcionamiento, diseñados para el tipo de gas y la presión utilizadas. Mantenga siempre las botellas en posición vertical y encadenadas a un soporte fijo. No mueva o transporte botellas de gas que no lleven colocado el capuchón de protección. No deje que el electrodo, la pinza portaelectrodo, la pinza de masa o cualquier otra pieza con tensión eléctrica toque la botella de gas. Las botellas de gas deben estar colocadas lejos de las áreas donde puedan ser golpeadas o ser objeto de daño físico, o a una distancia de seguridad de las operaciones de soldadura.
	LA SOLDADURA PUEDE QUEMAR: La soldadura genera una gran cantidad de calor. Las superficies calientes y los materiales en el área de trabajo pueden provocar quemaduras graves. Utilice guantes y pinzas para tocar o mover los materiales que haya en el área de trabajo.

	<p>CUMPLIMIENTO CE: Este equipo cumple las directivas de la CEE.</p>
	<p>MARCAJE SEGURIDAD: Este equipo es adecuado como fuente de potencia para operaciones de soldadura efectuadas en un ambiente con alto riesgo de descarga eléctrica.</p>

Instalación e Instrucciones de Funcionamiento

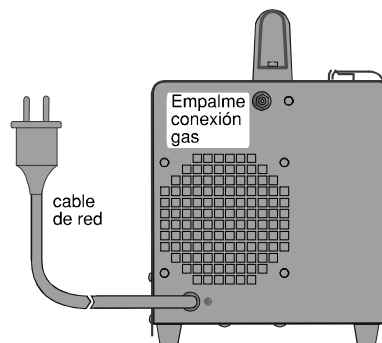
Es un equipo semiautomático de voltaje constante DC. Este equipo utiliza un transformador monofásico de voltaje constante, rectificador de estado sólido y motor DC de imán permanente para alimentación y soldadura con hilo macizo y tubular (sólo Handy MIG) y sólo hilo tubular (Handy Core). Estos equipos fáciles de utilizar, son conectables a los enchufes comunes de 230V AC, de funcionamiento seguro y de calidad ya sea soldando utilizando gas inerte (MIG) como en el proceso Innershield (alambre autoprotegido). Estos equipos se entregan con bobinas pequeñas de hasta 1 Kg.

Emplazamiento y Entorno

Estos equipos pueden funcionar en ambientes agresivos. Sin embargo es importante tener una serie de precauciones de manera que aseguren un funcionamiento duradero y fiable.

- No coloque ni haga funcionar la máquina sobre una superficie que tenga un ángulo de inclinación mayor de 15° desde la horizontal.
- Este equipo debe situarse en un lugar donde haya una buena circulación de aire limpio, sin restricciones de aire. Cuando esté funcionando no cubrirlo con papel, ropa o trapos.
- Se debe restringir al mínimo la entrada de polvo y suciedad en el interior de la máquina.
- Este equipo tiene un grado de protección IP21. Mantenerlo seco y no situarlo en suelos húmedos o en charcos.
- Coloque el equipo alejado de maquinaria que trabaje por radio control. El normal funcionamiento del equipo podría afectar negativamente a dichos equipos, provocando averías y daños en los mismos. Ver la sección compatibilidad electromagnética en este supere los 40°.

Emplazamiento y Entorno



manual.

- No trabaje en zonas donde la temperatura ambiente

Conexión a la red

Compruebe la tensión, fases y frecuencia de este equipo antes de ponerlo en marcha.

En la placa de características de este equipo o en la sección de especificaciones técnicas se indica el voltaje de entrada

(Tensión de red) permitido. Verifique la conexión de los cables de tierra desde el equipo hasta la toma de corriente.

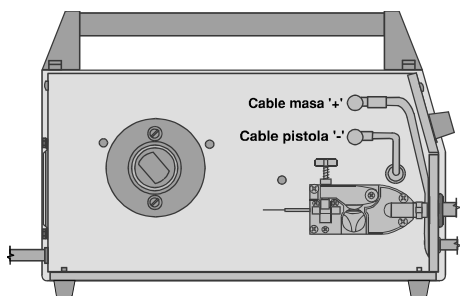
Conexión del Gas de Protección (sólo Handy MIG)

Cuando utilice el proceso MIG, debe usar una botella de gas de protección.

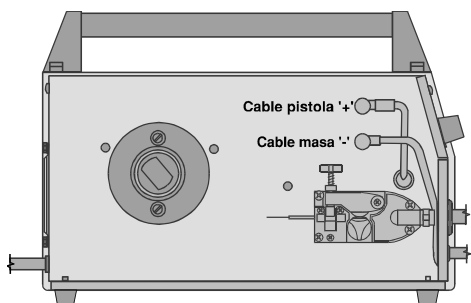
1. Sujetar la botella de gas con una cadena a un soporte fijo o a la pared, para evitar que caiga. Aíse la botella del circuito de masa y de la conexión a tierra.
2. Una vez asegurada la botella, quite el tapón. Colóquese a un lado de la válvula de salida y ábrala suavemente por un instante. Este soplado quitará cualquier resto de polvo o suciedad que se hubiera acumulado en la válvula. Coloque el regulador en la botella de gas.
3. Conecte un extremo del tubo de gas en la salida del regulador y fíjelo con la brida. Conecte el otro extremo al rácor entrada de gas de la máquina y fíjelo con una brida. Asegúrese que el tubo de gas no esté retorcido.

Cambio de polaridad (sólo Handy MIG)

1. Soldando con Polaridad Negativa (DC-): (Ver figura). El equipo se entrega preparado para Polaridad Negativa con el cable de la pistola conectado a la salida del terminal Negativo (-). Es la configuración típica para soldar con hilo tubular (FCAW). Para completar la instalación, conectar el terminal del cable de masa al terminal Positivo (+). Asegúrese que están apretados ambos tornillos moleteados.



2. Para Polaridad Positiva (DC+) : (Ver figura). Para soldar con Polaridad Positiva se debe conectar el cable de la pistola al terminal de salida Positivo (+) y el cable de masa al terminal Negativo (-). Esta es una configuración típica para el proceso de soldadura con gas inerte (MIG). Asegúrese que están apretados ambos tornillos moleteados.



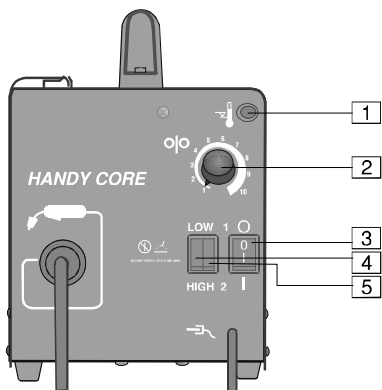
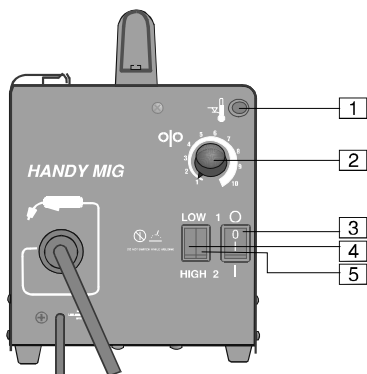
1. **Indicador protección térmica:** Este equipo tiene potencia de salida de factor marcha del 20%. Si el factor de marcha se sobrepasa, la protección térmica se conecta hasta que el equipo se enfría y vuelve a la temperatura normal de funcionamiento. Esta es una función automática del equipo y no necesita intervención por parte del soldador.
2. **Control velocidad del hilo**
3. **Interruptor marcha/paro ON/OFF:** Cuando el interruptor está en posición ON y presionamos el pulsador de la pistola, tendremos tensión de salida y velocidad de hilo.
4. **Conmutador Basso Tensión de Soldadura (BAJA/ALTA):** Este conmutador ajusta en alta o baja la salida de tensión de la soldadura.
5. **Conmutador Fino Tensión de Soldadura (1/2):** Permite hacer un ajuste fino del voltaje sin seleccionar el conmutador Basso Tensión de Soldadura.

SOLDADURA MIG

Esta tabla muestra el material y gas recomendado para la soldadura MIG con hilo macizo.

Material	Gas
Acero al carbono	CO ₂ o Argón / CO ₂
Acero de baja aleación	CO ₂ o Argón / CO ₂

Controles y Características de funcionamiento



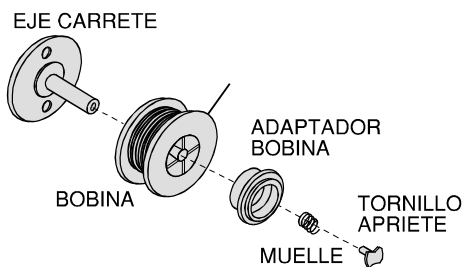
Soldadura con hilo tubular (Innershield)

El hilo tubular recomendado para soldar en este proceso es el NR-211-MP de Diám. 0,9 mm en bobinas de 0,45 Kg.

Carga de la bobina de Hilo

Desconectar la máquina, posición OFF "0" antes de levantar la tapa donde está la bobina. Asegúrese que el rodillo de la alimentación del hilo y la boquilla de corriente de la pistola sean iguales al diámetro y tipo de hilo utilizado.

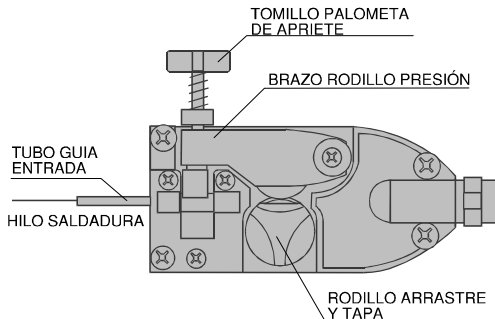
1. Empuje la bobina sobre el eje hasta que el carrete haga tope, en la dirección del rodillo de arrastre.
2. Empuje el adaptador bobina sobre el eje contra la bobina. Si es necesario, para obtener un frenado correcto gire el adaptador de bobina.



3. Coloque el muelle sobre la bobina, continúe con el Tornillo apriete bobina, girando éste en sentido de las

agujas del reloj hasta fijar el conjunto de la bobina sobre el eje..

- Retirar el tornillo palometa de apriete y gire hacia



arriba el brazo rodillo presión. Deje visible el rodillo de arrastre. Asegúrese que el diámetro estampado en el frontal del rodillo corresponde con el diámetro del hilo a utilizar.

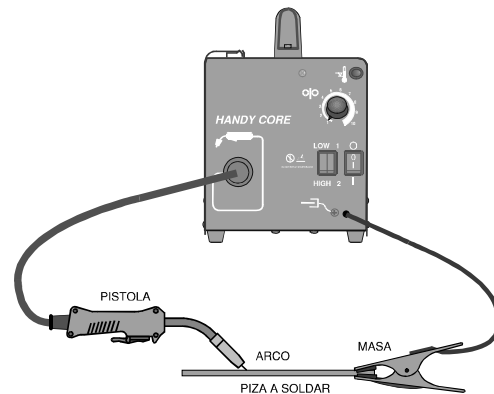
- Saque con cuidado el extremo del hilo, manteniéndolo tensado para evitar se desenrolle. No suelte el hilo hasta después del paso 8.
- Corte la parte doblada del extremo del hilo y deje 1 cm aprox. enderezado.
- Introduzca el hilo a través del tubo guía entrada, por encima del rodillo y a través de la espiral.
- Cierre el brazo rodillo presión y baje el tornillo palometa de apriete hasta que el rodillo de presión fije el hilo. (Ahora puede soltar el hilo de la bobina). Asegúrese de que el hilo está situado en la ranura del rodillo de arrastre.
- El tornillo palometa de apriete es utilizado en el brazo presión como "freno", ajustar la presión del hilo. Ajuste la presión girando el tornillo palometa de apriete hasta poder mover el carrete, permitiendo así una alimentación suave y fácil. Empiece con el valor intermedio del ajuste de presión. Reajuste si fuera necesario. Cuando esté utilizando hilo de diámetro 0,6 mm, puede necesitar aflojar la presión. Si el rodillo de arrastre resbala mientras está alimentando el hilo, la presión se debe incrementar hasta que la alimentación del hilo salga adecuadamente.
- Quite la boquilla de gas y de corriente de la pistola.
- Ponga la máquina en marcha. Pos.ON (I)
- Mantenga el cable de la pistola recto.
- Pulse el gatillo de la pistola y el hilo pasará a través del cable. (Apunte la pistola en dirección contraria a la suya ó de otros, mientras se alimenta el hilo). Libere el pulsador de la pistola cuando aparezca el hilo.
- Desconecte la máquina. Pos.OFF (0)
- Instale la boquilla de de gas y corriente. Corte el hilo y que sobresalga 10/15 mm desde el final de la boquilla de corriente.
- Conectar la máquina. Ahora está preparada para soldar.

Gas de protección (sólo para Handy MIG)

Cuando esté utilizando el proceso MIG, necesitará una botella de dióxido de carbono (CO₂) o gas mezcla. El regulador debe estar instalado en la botella de gas, y se necesita un adaptador y una arandela de plástico para utilizar el gas CO₂ al 100%. Este adaptador está disponible en su suministrador de gas.

- 1 Abra lentamente la válvula de la botella de gas una fracción de vuelta. Cuando la aguja del manorreductor deje de moverse, abra la válvula completamente.
- 2 Mantener cerrada la válvula de la botella, excepto cuando esté soldando. Cuando termine de soldar :
 1. Cierre la válvula de la botella para parar la salida de gas.
 2. Apriete el pulsador pistola hasta que no quede presión de gas en el interior del tubo.
 3. Desconecte la máquina.

PARA SOLDAR



- En función de las piezas a soldar, seleccione el proceso correcto de soldadura, el lugar de trabajo donde se va a efectuar y la apariencia deseada de la soldadura.
- Seleccione e instale el hilo de soldadura para empezar el proceso. Utilice la gama de hilo de Lincoln Electric. La calidad del hilo es esencial para una soldadura perfecta.
- Debe instalar el rodillo de arrastre, la boquilla de corriente y la boquilla de gas adecuados al proceso de soldadura.
- Compruebe que la polaridad, el hilo y el gas son correctos, aunque el equipo esté en marcha.
- Referente a la figura superior, conecte la pinza de masa a la pieza a soldar. La pinza de masa debe hacer buen contacto eléctrico con la pieza a soldar. Además verifique antes de soldar las precauciones de seguridad indicadas al principio de este manual.
- Ajustar la velocidad del hilo y el rango de potencia, en función del tipo de proceso de soldadura y el grueso de la pieza a soldar.
- Sítue la pistola dentro de la junta en el ángulo correcto.

8. Antes de empezar a soldar levante su pantalla manual para proteger sus ojos y pulse el gatillo pistola.
9. Mientras está soldando, desplace la pistola a una velocidad constante y mantenga una distancia del hilo con la pieza de unos 0,9 cm. Siga la dirección correcta de desplazamiento y orientación para el proceso y tipo de junta.
10. Para parar la soldadura libere el pulsador de la pistola.
11. Cuando no suelde más, cierre la válvula de la botella (si es utilizada), apriete momentáneamente el pulsador de la pistola para liberar la presión del gas y desconecte la máquina.

Limpieza de boquilla de corriente y boquilla de gas

Limpie la boquilla de contacto y la boquilla de gas para evitar que se comuniquen entre ellas. Puntándose por suciedad puede producir un corto en la boquilla, soldadura pobre y sobrecalentamiento en la pistola. El spray o gel para evitar las proyecciones de la soldadura puede encontrarlo en su distribuidor de soldadura.

Compatibilidad Electromagnética (EMC)

06/02

Esta máquina ha sido diseñada de conformidad con todas las directivas y normas relativas a la compatibilidad electromagnética. Sin embargo, todavía podría generar interferencias electromagnéticas que pueden afectar a otros sistemas como son telecomunicaciones (teléfono, radio y televisión) u otros sistemas de seguridad. Estas interferencias pueden ocasionar problemas de seguridad en los sistemas afectados. Lea y comprenda esta sección para eliminar o al menos reducir los efectos de las interferencias electromagnéticas generadas por esta máquina.



Esta máquina ha sido diseñada para trabajar en zonas industriales. Para operar en una zona no industrial es necesario tomar una serie de precauciones para eliminar las posibles interferencias electromagnéticas. El operario debe instalar y trabajar con este equipo tal como se indica en este manual de instrucciones. Si se detectara alguna interferencia electromagnética el operario deberá poner en práctica acciones correctoras para eliminar estas interferencias con la asistencia de Lincoln Electric.

Antes de instalar el equipo de soldadura, el usuario deberá hacer una evaluación de los problemas de interferencias electromagnéticas que se puedan presentar en el área circundante. Se deberá tener en cuenta lo siguiente:

- Cables de entrada y salida, cables de control, y cables de teléfono que estén en, o sean adyacentes al área de trabajo y a la máquina.
- Emisores y receptores de radio y/o televisión. Ordenadores o equipos controlados por ordenador.
- Equipos de control y seguridad para procesos industriales. Aparatos para calibración y medida.
- Dispositivos médicos como marcapasos o equipos para sordera.
- Compruebe la inmunidad de los equipos que funcionen en o cerca del área de trabajo. El operario debe estar seguro de que todos los equipos en la zona sean compatibles. Esto puede requerir medidas de protección adicionales.
- El tamaño de la zona que se debe considerar dependerá de la actividad que vaya a tener lugar. Puede extenderse más allá de los límites previamente considerados.

Tenga en cuenta las siguientes recomendaciones para reducir las emisiones electromagnéticas de la máquina.

- Los equipos de soldadura deben ser conectados a la red según este manual. Si se produce una interferencia, puede que sea necesario tomar precauciones adicionales, como filtrar la corriente de alimentación.
- Los cables de soldadura deben ser lo más cortos posible y se deben colocar juntos y a nivel del suelo. Si es posible conecte a tierra la pieza a soldar para reducir las emisiones electromagnéticas. El operario debe verificar que la conexión a tierra de la pieza a soldar no causa problemas de seguridad a las personas ni al equipo.
- La protección de los cables en el área de trabajo puede reducir las emisiones electromagnéticas. Esto puede ser necesario en aplicaciones especiales.

ADVERTENCIA

Este equipo de clase A no está diseñado para su uso en zonas residenciales donde la energía eléctrica es proporcionada por el sistema público de distribución de baja tensión. Podría haber dificultades potenciales para garantizar la compatibilidad electromagnética en esos lugares debido a las perturbaciones conducidas así como a las radiadas.



RAEE (WEEE)

07/06

Español



No tirar nunca los aparatos eléctricos junto con los residuos en general!
De conformidad a la Directiva Europea 2012/19/EC relativa a los Residuos de Equipos Eléctricos o Electrónicos (RAEE) y al acuerdo de la legislación nacional, los equipos eléctricos deberán ser recogidos y reciclados respetando el medioambiente. Como propietario del equipo, deberá informar de los sistemas y lugares apropiados para la recogida de los mismos.
Aplicar esta Directiva Europea protegerá el medioambiente y su salud!

Especificaciones Técnicas

ENTRADA			
Tensión de alimentación 230 V ± 10% Monofásico	Potencia de Entrada a Salida Nominal 2.5 kW @ 20% Factor Marcha	Frecuencia 50/60 Hertz (Hz)	
SALIDA NOMINAL A 40°C			
Factor Marcha (Basado en un período de 10 min.) 20%	Corriente de Salida 70 A	Tensión de Soldadura 17.5 Vdc	
CORRIENTE DE SALIDA			
Rango de Corriente de Salida 45-80 Amps		Tensión en Vacío Máxima 29 Vdc	
SECCION DE CABLE Y TAMAÑO DE FUSIBLE RECOMENDADO			
Fusible o Disyuntor 16 A retardado	Tipo de clavija SCHUKO 16A/250V (Incluída con la máquina)	Cable de red 3 Conductores, 1.5mm ²	
DIMENSIONES			
Alto 345 mm	Ancho 220 mm	Fondo 455 mm	Peso 20.9 Kg
Temperatura de Trabajo -20°C a +40°C		Temperatura de Almacenamiento -25°C a +55°C	



Para cualquier tipo de trabajo de reparación o mantenimiento, se recomienda contacte con el servicio de asistencia técnica autorizado más cercano, o con Lincoln Electric. Los trabajos de reparación o mantenimiento realizados por el personal o por servicios técnicos no autorizados anularán la garantía del fabricante.



ATTENTION

L'installation, l'utilisation et la maintenance ne doivent être effectuées que par des personnes qualifiées. Lisez attentivement ce manuel avant d'utiliser cet équipement. Le non respect des mesures de sécurité peut avoir des conséquences graves : dommages corporels qui peuvent être fatals ou endommagement du matériel. Lisez attentivement la signification des symboles de sécurité ci-dessous. Lincoln Electric décline toute responsabilité en cas d'installation, d'utilisation ou de maintenance effectuées de manière non conforme.

	DANGER: Ce symbole indique que les consignes de sécurité doivent être respectées pour éviter tout risque de dommage corporel ou d'endommagement du poste. Protégez-vous et protégez les autres
	LIRE ATTENTIVEMENT LES INSTRUCTIONS: Lisez attentivement ce manuel avant d'utiliser l'équipement. Le soudage peut être dangereux. Le non respect des mesures de sécurité peut avoir des conséquences graves : dommages corporels qui peuvent être fatals ou endommagement du matériel.
	UN CHOC ELECTRIQUE PEUT ETRE MORTEL: Les équipements de soudage génèrent de la haute tension. Ne touchez jamais aux pièces sous tension (électrode, pince de masse...) et isolez-vous.
	FUMÉES ET GAZ PEUVENT ETRE DANGEREUX: Le soudage peut produire des fumées et des gaz dangereux pour la santé. Evitez de les respirer et utilisez une ventilation ou un système d'aspiration pour évacuer les fumées et les gaz de la zone de respiration.
	LES RAYONNEMENTS DE L'ARC PEUVENT BRULER: Utilisez un masque avec un filtre approprié pour protéger vos yeux contre les projections et les rayonnements de l'arc lorsque vous soudez ou regardez souder. Portez des vêtements appropriés fabriqués avec des matériaux résistant durablement au feu afin de protéger votre peau et celle des autres personnes. Protégez les personnes qui se trouvent à proximité de l'arc à l'aide d'écrans ininflammables et en les avertissant de ne pas regarder l'arc pendant le soudage.
	LES ETINCELLES PEUVENT ENTRAÎNER UN INCENDIE OU UNE EXPLOSION: Eloignez toute matière inflammable de la zone de soudage et assurez-vous qu'un extincteur est disponible à proximité. Les étincelles et les projections peuvent aisément s'engouffrer dans les ouvertures les plus étroites telles que des fissures. Ne soudez pas de réservoirs, fûts, containers...avant de vous être assuré que cette opération ne provoquera pas de vapeurs inflammables ou toxiques. N'utilisez jamais cet équipement de soudage dans un environnement où sont présents des gaz inflammables, des vapeurs ou liquides combustibles.
	EQUIPEMENTS A MOTEUR ELECTRIQUE: Coupez l'alimentation du poste à l'aide du disjoncteur du coffret à fusibles avant toute intervention sur la machine. Effectuez l'installation électrique conformément à la réglementation en vigueur. MISE A LA TERRE: Pour votre sécurité et pour un bon fonctionnement, le câble d'alimentation doit être impérativement connecté à une prise de courant avec une bonne prise de terre.
	EQUIPEMENTS A MOTEUR ELECTRIQUE: Vérifiez régulièrement l'état des câbles électrode, d'alimentation et de masse. S'ils semblent en mauvais état, remplacez-les immédiatement. Ne posez pas le porte-électrode directement sur la table de soudage ou sur une surface en contact avec la pince de masse afin d'éviter tout risque d'incendie.
	CHAMPS ELECTRIQUES ET MAGNETIQUES PEUVENT ETRE DANGEREUX: Tout courant électrique passant par tout conducteur génère des champs électriques et magnétiques (EMF). Ceux-ci peuvent produire des interférences avec les pacemakers. Il est donc recommandé aux soudeurs porteurs de pacemakers de consulter leur médecin avant d'utiliser cet équipement.
	UNE BOUTEILLE DE GAZ PEUT EXLOSER: N'utilisez que des bouteilles de gaz comprimé contenant le gaz de protection adapté à l'application de soudage et des détendeurs correctement installés correspondant au gaz et à la pression utilisés. Les bouteilles doivent être utilisées en position verticale et maintenues par une chaîne de sécurité à un support fixe. Ne déplacez pas les bouteilles sans le bouchon de protection. Ne laissez jamais l'électrode, le porte-électrode, la pince de masse ou tout autre élément sous tension en contact avec la bouteille de gaz. Les bouteilles doivent être stockées loin de zones "à risque" : source de chaleur, étincelles...
	LES MATERIAUX SOUDES SONT BRULANTS: Le soudage génère de la très haute chaleur. Les surfaces chaudes et les matériaux dans les aires de travail peuvent être à l'origine de sévères brûlures. Utilisez des gants et des pinces pour toucher ou déplacer les matériaux.

	COMPATIBILITE CE: Cet équipement est conforme aux Directives Européennes.
	SECURITE: Cet équipement peut fournir de l'électricité pour des opérations de soudage menées dans des environnements à haut risque de choc électrique.

Installation et Instructions d'Utilisation

Lisez attentivement la totalité de ce chapitre avant d'installer ou d'utiliser ce matériel.

Description

L' Handy Mig et l'Handy Core sont des équipements compact (dévidoir intégré) semi-automatique, délivrant un courant continu DC.

Ils utilisent un transformateur monophasé, un pont redresseur et un moteur électrique courant continu pour le dévidage du fil.

Avec l'Handy Mig il est possible de souder avec des fils pleins avec protection gazeuse et fil fourrés avec ou sans protection gazeuse.

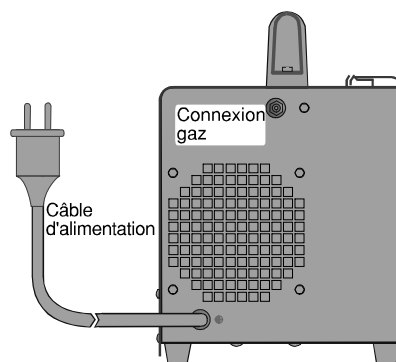
Avec l'Handy Core il est possible de souder uniquement avec le fil fourré sans gaz (Innershield).

Ces équipements se branchent sur une prise 230V AC monophasé et permettent le dévidage de bobines de 1 à 1 kg.

Emplacement et Environnement

Cette machine peut fonctionner dans des environnements difficiles. Il est cependant impératif de respecter les mesures ci-dessous pour lui garantir une longue vie et un fonctionnement durable.

- Ne placez pas et n'utilisez pas cette machine sur une surface inclinée à plus de 15° par rapport à l'horizontale.
- Stockez la machine dans un lieu permettant la libre circulation de l'air dans les aérations du poste. Ne la couvrez pas avec du papier, des vêtements ou tissus lorsqu'elle est en marche.
- Réduisez au maximum la quantité d'impuretés à l'intérieur de la machine.
- La machine possède un indice de protection IP21. Veillez à ce qu'elle ne soit pas mouillée, ne la placez pas sur un sol humide ou détrempé.
- Placez la machine loin d'équipements radio-commandés. Son utilisation normale pourrait entraîner des dommages matériels ou corporels. Reportez-vous au chapitre "Compatibilité Electromagnétique" de ce manuel.
- N'utilisez pas le poste sous des températures supérieures à 40°C.



Alimentation

Assurez-vous que la tension d'alimentation, le nombre de phase, et la fréquence correspondent bien aux caractéristiques exigées par cette machine avant de la mettre en marche. Les sections des câbles et fusibles sont indiquées dans le chapitre "Caractéristiques Techniques" de ce manuel.

Très important : Vérifiez la connexion des fils de terre de la machine au réseau.

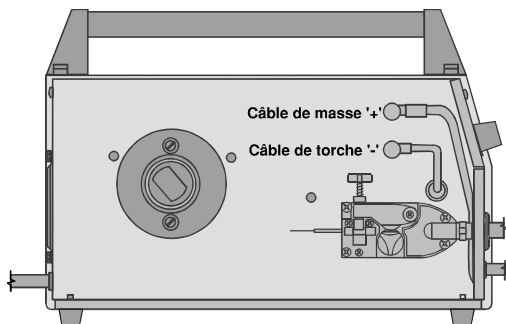
Connexion gaz (Handy MIG Seulement)

Une fois la bouteille de gaz solidement fixée sur un support stable (mur), reliez le tuyau de gaz de la machine à la bouteille de gaz à l'aide d'un régulateur de pression.

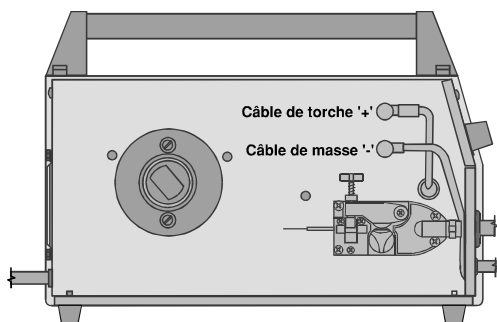
Changement de polarité (Handy MIG Seulement)

Connectez le câble d'alimentation de la torche "Gun cable" à la polarité désirée et le câble de masse "Work cable" sur le pôle inverse.

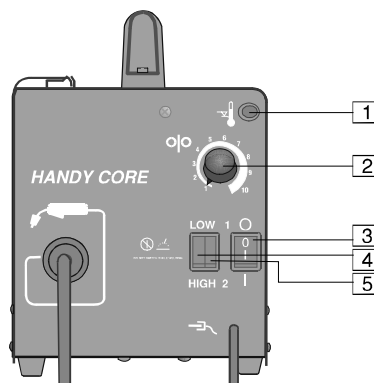
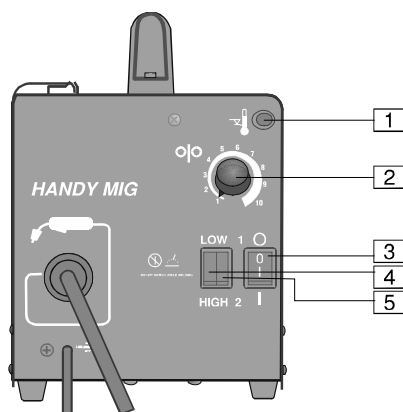
- La polarité négative (configuration standard) est en général utilisée pour les fils fourrés sans gaz (INNERSHIELD).



- La polarité positive (+) à la torche (voir ci dessous) est en général utilisée pour les Procédés MIG/MAG sous gaz.



Description du panneau de contrôle



1. **Voyant témoin "Température"**: Cette machine a un facteur de marche de 20%. Si ce facteur de marche est dépassé, ce voyant s'allume. Quand cela se produit, le courant de soudage est alors arrêté. Laisser refroidir la machine, le soudage sera de nouveau possible après refroidissement. Cette fonction est automatique et ne nécessite aucune intervention.
2. **Réglage vitesse fil**
3. **Interrupteur "ON/OFF"**
4. **Interrupteur Puissance Basse / Haute "Low / High"**: Réglage de la gamme de tension de soudage Basse ou Haute.
5. **Interrupteur du réglage fin de la tension "1 – 2"**: Permet d'affiner le réglage de la tension dans la gamme Basse ou Haute.

Soudage MIG:

Le tableau ci dessous décrit les combinaisons métal/gaz pour le soudage des fils pleins sous protection gazeuse (MIG).

Métal	Gas
Acier	100%CO ₂ ou 80%Argon / 20%CO ₂
Inox	98%Argon / 2%CO ₂

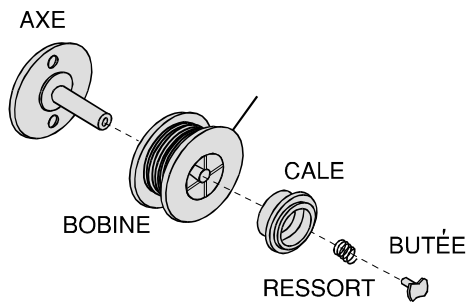
Soudage Fil Fourré sans gaz (Innershield):

Le fil recommandé pour le soudage avec fil fourré sans gaz est le fil Innershield Lincoln NR-211-MP en diamètre 0,9 mm. Il est conditionné en bobines de 0.45 kg.

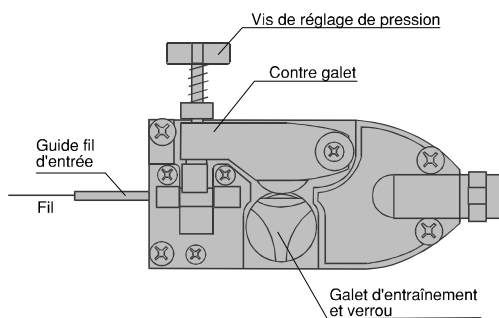
Montage de la bobine et chargement du fil.

Voir schéma ci dessous

1. Monter la bobine de fil sur l'axe de dévidage de façon à ce que lorsque l'on tire sur l'extrémité du fil, la bobine tourne dans le sens des aiguilles d'une montre.
2. Le diamètre du fil utilisé doit correspondre au diamètre inscrit sur la face externe visible du galet d'entraînement. Si ce n'est pas le cas, dévisser la vis de fixation du galet, le tourner ou le remplacer par le galet correspondant à votre diamètre de fil.



3. Relever le leviers du contre-galet qui appuie sur le galet d'entraînement. Faire passer le fil dans le guide fil d'entrée et dans le guide-fil de la torche. Abaisser alors le levier du contre-galet et le remettre en position de fonctionnement. La molette permet le réglage de la pression exercée par le contre-galet



4. Pour les fils de petits diamètres et les fils aluminium, la pression varie suivant le type de fil, l'état de surface, la lubrification et la dureté du fil.
5. Si la pression exercée est trop forte, le fil se déforme, et s'entortille. Il peut alors se coincer ou se casser ce qui peut engendrer une usure prématurée des contre-galets. Dévisser alors le bouton de réglage d'un tour et recommencer l'opération.
6. Si la pression est trop faible, les galets d'entraînement "patinent" sur le fil ce qui peut entraîner des irrégularités dans la vitesse de dévidage de fil.
7. Retirez la buse gaz de la torche et retirez le tube contact.
8. Faites dévider le fil en actionnant la gâchette de la torche. Le fil doit avancer régulièrement sans glissements ni à-coups. Eventuellement réglez la pression des galets pour corriger une irrégularité de dévidage.
9. Dès que le fil est visible à l'extrémité de la torche, enfiler le tube contact dessus et remontez-le puis remontez la buse gaz (vérifier que le tube contact est adapté au diamètre du fil).
10. Connectez le câble de masse sur la pièce ou sur le support. Vérifiez l'état du contact entre la pince de masse et son support. La surface doit être propre, sans oxydes ni peinture ou revêtements isolant.

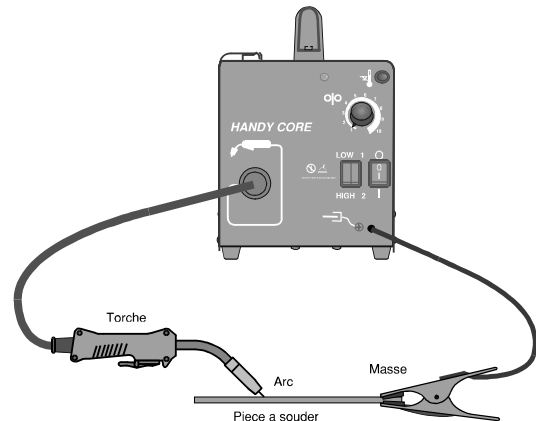
Gaz de protection (Handy MIG Seulement)

Pour le soudage sous protection gazeuse (MIG) vous devez utiliser une bouteille de gaz de protection 100% CO₂ ou un mélange Argon / CO₂. Un mano détendeur / débitmètre doit être monté sur la bouteille de gaz.

1. Ouvrir le robinet de la bouteille de gaz doucement jusqu'à ce que l'aiguille de pression se stabilise. Ensuite, ouvrir le robinet à fond.

2. Maintenir le robinet de gaz fermé sauf lors du soudage. A l'arrêt du soudage,
 - Fermer le robinet de la bouteille de gaz.
 - Appuyer sur la gâchette de la torche pour dépressuriser le circuit.
 - Eteindre la machine.

Soudage



1. Sélectionner le gaz en adéquation avec le fil utilisé.
2. Vérifier que la polarité de soudage corresponde au fil utilisé.
3. Brancher le câble de masse sur la pièce à souder comme décrit ci dessus.
4. Sélectionner la tension et la vitesse fil en fonction de l'épaisseur et la position de la pièce à souder.
5. Protégez vous et protégez vos yeux avant d'amorcer l'arc.
6. Presser la gâchette et déplacer la torche avec un mouvement régulier.
7. Pour arrêter le soudage, relâcher la gâchette.

Nettoyage du tube contact et de la buse.

Nettoyer fréquemment le tube contact et la buse pour éviter tout arc erratique.

Compatibilité Electromagnétique (CEM)

02/02

Ce produit a été conçu conformément aux normes et directives relatives à la compatibilité électromagnétique des appareils de soudage. Cependant, il se peut qu'il génère des perturbations électromagnétiques qui pourraient affecter le bon fonctionnement d'autres équipements (téléphone, radio, et télévision ou systèmes de sécurité par exemple). Ces perturbations peuvent nuire aux dispositifs de sécurité internes des appareils. Lisez attentivement ce qui suit afin de réduire –voire d'éliminer– les perturbations électromagnétiques générées par cette machine.



Cette machine a été conçue pour fonctionner dans un environnement industriel. Pour une utilisation en environnement domestique, des mesures particulières doivent être observées. L'opérateur doit installer et utiliser le poste conformément aux instructions de ce manuel. Si des interférences se produisent, l'opérateur doit mettre en place des mesures visant à les éliminer, avec l'assistance de Lincoln Electric si besoin est.

Avant d'installer la machine, l'opérateur doit vérifier tous les appareils de la zone de travail qui seraient susceptibles de connaître des problèmes de fonctionnement en raison de perturbations électromagnétiques. Exemples:

- Câbles d'alimentation et de soudage, câbles de commandes et téléphoniques qui se trouvent dans ou à proximité de la zone de travail et de la machine.
- Emetteurs et récepteurs radio et/ou télévision. Ordinateurs ou appareils commandés par microprocesseurs.
- Dispositifs de sécurité. Appareils de mesure.
- Appareils médicaux tels que pacemakers ou prothèses auditives.
- L'opérateur doit s'assurer que les équipements environnants ne génèrent pas de perturbations électromagnétiques et qu'ils sont tous compatibles. Des mesures supplémentaires peuvent s'avérer nécessaires.
- La taille de la zone de travail à prendre en considération dépend de la structure de la construction et des activités qui s'y pratiquent.

Comment réduire les émissions?

- Connecter la machine au secteur selon les instructions de ce manuel. Si des perturbations ont lieu, il peut s'avérer nécessaire de prendre des mesures comme l'installation d'un filtre de circuit par exemple.
- Les câbles de soudage doivent être aussi courts que possibles et attachés ensemble. Relier la pièce à souder à la terre si possible. S'assurer cependant que cette opération soit sans danger pour les personnes et les équipements.
- Le fait d'utiliser des câbles protégés dans la zone de travail peut réduire les émissions électromagnétiques. Cela est nécessaire pour certaines applications.
- S'assurer que la machine est connectée à une bonne prise de terre.

ATTENTION

Les équipements de classe A ne sont pas destinés à être utilisés dans des endroits où l'alimentation électrique est destinée au grand public. Dans ces endroits, des perturbations électromagnétiques conduites et rayonnées peuvent éventuellement perturber le fonctionnement des appareils environnants.



DEEE (WEEE)

07/06

Français



Ne pas jeter les appareils électriques avec les déchets ordinaires!
Conformément à la Directive Européenne 2012/19/EC relative aux Déchets d' Équipements Électriques ou Électroniques (DEEE), et à sa transposition dans la législation nationale, les appareils électriques doivent être collectés à part et être soumis à un recyclage respectueux de l'environnement. En tant que propriétaire de l'équipement, vous devriez vous informer sur les systèmes de collecte approuvés auprès nos représentants locaux.
Appliquer cette Directive Européenne améliorera l'environnement et la santé!

Caractéristiques Techniques

ALIMENTATION			
Tension d'alimentation 230 V ± 10% Monophasé	Puissance absorbée 2.5 kW @ 40% FM	Fréquence 50/60 Hertz (Hz)	
SORTIE NOMINALE A 40°C			
Facteur de marche (Basé sur une période de 10 min.) 20%	Courant de soudage 70 A	Tension de sortie 17.5 Vdc	
GAMME DE COURANT DE SORTIE			
Gamme de courant de soudage 45-80 Amps		Tension à vide max. 29 Vdc	
CABLES D'ALIMENTATION ET FUSIBLES			
Calibre des fusibles 16 A lent	Type de prise SCHUKO 16A/250V (livrée avec le poste)	Câbles d'alimentation 3 Conducteurs, 1.5mm ²	
DIMENSIONS			
Hauteur 345 mm	Largeur 220 mm	Longueur 455 mm	Poids 20.9 Kg
Température de fonctionnement -20°C à +40°C		Température de stockage -25°C à +55°C	

Nous vous recommandons de contacter notre service après-vente pour toute opération d'entretien ou réparation. Toute intervention sur le poste effectuée par des personnes non autorisées invalidera la garantie du fabricant.

Sikkerhetsregler






02/02



ADVARSEL

Dette utstyret skal kun brukes av kvalifisert personell. Forsikre deg om at all oppkobling, bruk, vedlikehold og reparasjon er utført av kvalifisert personell. Les og forstå denne bruksanvisningen før utstyret tas i bruk. Hvis bruksanvisningen ikke følges kan dette resultere i alvorlig personskade, død eller skade på utstyret. Les og forstå de følgende eksempler og Advarsels- symboler. Lincoln Electric er ikke ansvarlig for skader som er forårsaket av: feil installasjon, dårlig vedlikehold eller unormal bruk.

	ADVARSEL: Dette symbolet indikerer at bruksanvisningen må følges for å unngå alvorlige personskader, død eller skade på utstyret. Beskytt deg selv og andre fra personskade eller død.
	LES OG FORSTÅ BRUKSANVISNINGEN: Les og forstå bruksanvisningen før utstyret tas i bruk. Elektrisk buesveising kan være farlig. Hvis bruksanvisningen ikke følges kan dette resultere i alvorlig personskade, død eller skade på utstyret
	ELEKTRISK STØT KAN DREPE: Elektroden og arbeidstrykket (gods) står under spenning når maskinen er slått på. Ikke berør disse deler med bar hud eller fuktige klær. Bruk hansker uten hull. For å unngå fysisk kontakt til arbeidsstykket og gods/jord skal hele kroppsoverflaten være isolert ved bruk av tørre klær. Ved halvautomatisk eller automatisk trådsveising er tråden, matehjul, sveisehode og kontaktrør, under spenning. Sørg for at godskabelen har god kontakt til arbeidsstykket. Tilkoblingen skal være så nær sveisestedet som mulig. Hold elektrodeholderen, godsklemme, sveisekabel og sveisemaskin i god operativ stand. Reparer defekt isolasjon. Dypp aldri elektrodeholderen i vann for avkjøling. Bruk sikkerhetsbelte når det arbeides over gulvnivå, for å sikre mot fall som følge av elektriske støt.
	RØYK OG GASS KAN VÆRE FARLIG: Ved sveising kan det dannes helsefarlig røyk og gass. Unngå å puste inn denne røyken og gassen. Bruk god ventilasjon og /eller punktavsug for å holde røyken og gassen borte fra pustesonen. Når det sveises med elektroder som krever spesiell ventilasjon, f.eks. rustfrie- og påleggselektroder, eller på bly -, sink- eller kadmiumbelagte stål og andre metaller som avgir giftig røyk, er det særdeles viktig å benytte effektive avsug for å holde forurensninger under tillatt grenseverdi (TLV -indeks) I små eller trange rom eller ved sveising på særlig farlig materiale, kan det være aktuelt med gassmaske. Sveis ikke i områder nær klorert hydrokarbondamp som kommer fra avfetting, rense- eller sprøyteoperasjoner. Varmen og stråler fra lysbuen kan reagere med løsningsdamper og danne fosgen (en svært giftig gass), og andre irriterende forbindelser. Beskyttelsesgass som brukes til sveising kan fortrenge luft og forårsake ulykker eller død. Bruk alltid nok ventilasjon, spesielt i avgrenset område, slik at pusteluften er sikker. Følg arbeidsgiverens sikkerhetspraksis.
	STRÅLING FRA BUEN KAN SKADE: Stråling fra buen kan skade øynene og forårsake hudskade. Benytt sveisemaske/hjelm med tilstrekkelig lysfiltergrad. Bør tilsvare EURO standard. Bruk værneutstyr/klær av ikke brennbar materiale. Vær forsikret om at andre i arbeidsområder er beskyttet mot stråling, sprut og varmt metall.
	SVEISESPRUT KAN FORÅRSAKE BRANN OG EKSPLOSJON: Brannfarlige ting i området tildekkes for å hindre antennelse. Husk at sprut og varmt materiale fra sveising går lett igjennom små sprekker og åpninger. Unngå sveising nær hydraulikkør. Ha brannslukningsapparat klart. Følg bruksanvisningen og sikkerhetsregler før bruk av gassbeholdere for å unngå farlige situasjoner. Vær sikker på at ingen deler av elektrodekreten berører arbeidstrykket eller jord når det ikke sveises. Tilfeldig kontakt kan være årsaken til overoppheting og brannfare. Ved oppvarming, sveising eller skjæring på tanker o.l., må man være sikker på at dette ikke fremkaller giftige eller antennebare damper. Eksplosjon kan oppstå selv om tankene er "renset". Ventiler hult støpegods eller beholdere før oppvarming, ved sveising eller skjæring kan de eksplodere. Sprut slynges ut fra buen, bruk oljefri vernekleddning slik som skinnhansker, solid forkle, bukser uten oppbrett, høye sko og lue over håret. Bruk ørepropper ved sveising i stilling eller trange rom. Bruk alltid vernebriller med sidebeskyttelse. Godskabelen tilkobles arbeidstrykket så nær sveisestedet som mulig. Hvis godskabelen tilkobles metalldele utenom sveisestedet, øker faren for overoppheting/antennelse og skade på utstyret.
	ELEKTRISK UTSTYR: Husk alltid å slå av maskinen og koble fra nettspenningen når det skal utføres arbeid på sveisemaskinen. Jording skal være iht. gjeldende regler.
	ELEKTRISK UTSTYR: Hold elektrodeholderen, godsklemme, sveisekabel og sveisemaskin i god operativ stand. Reparer defekt isolasjon. Dypp aldri elektrodeholderen i vann for avkjøling. Bruk sikkerhetsbelte når det arbeides over gulvnivå, for å sikre mot fall som følge av elektriske støt.

	ELEKTRISK OG MAGNETISK FELT KAN VÆRE FARLIG: Elektrisk strøm som flyter gjennom en leder forårsaker elektromagnetiskfelt (EMF). Alle sveisere bør bruke følgende prosedyre for å redusere eksponeringen av EMF. Legg elektroden og godskabelen sammen, tapes sammen hvis mulig. Ikke kveil elektrodekabelen rundt kroppen. Ikke plasser deg mellom elektrodekabel og godskabel. Godskabelen tilkobles så nær sveisestedet som mulig. Ikke arbeid nær sveisestrømkilder.
	GASSFLASKER KAN EKSPLODERE HVIS DE ER SKADET: Sjekk at beskyttelsesgassen og gassregulatoren er riktig for sveiseprosessen. Alle slanger, fittings, etc. Må passe for utstyret og være i god stand. Ha alltid gassflaskene i oppreist stilling og sikkert festet til en vogn, eller annen stødig festeanordning. Gassflaskene skal være plassert vekk fra områder hvor de kan bli utsatt for slag og i sikker avstand fra skjære-/sveisebue, gnister eller åpen flamme. Berør aldri gassflasken med elektrodeholderen eller med annen gjenstand som står under spenning. Hold kroppen vekk fra ventilutløpet når ventilen åpnes. Les og følg instruksjonene på gassflasken og tilhørende utstyr.
	SVEISTE MATERIALER KAN GI BRANNSKADE: Sveising genererer høy temperatur. Varme materialer og overflater kan gi alvorlige brannskader. Bruk egnet verktøy og hansker når du skal arbeide med varmt materiale.
	CE GODKJENNING: Dette produktet er godkjent iht. Europeiske direktiver.
	SIKKERHETS MERKE: Dette utstyret er tilpasset for bruk i omgivelser hvor man har økt fare for elektrisk støt.

Installasjon og Brukerinstruksjon

Les hele denne brukermanualen før utstyret tilkobles og taes i bruk.

Generell beskrivelse

Dette er en konstant volt (CV) 1- faset halvautomatisk strømkilde. Maskinen er bygget opp av en trafo, likeretter og en magnet matemotor for mating av sveisetråd. Dette er en maskin for 230 volt 1-faset nettspenning.

Maskinen er egnet for både veising med gassdekkede sveisetråder samt innershield tråder. Maskinen kan ta trådspoler opp til 1 kg.

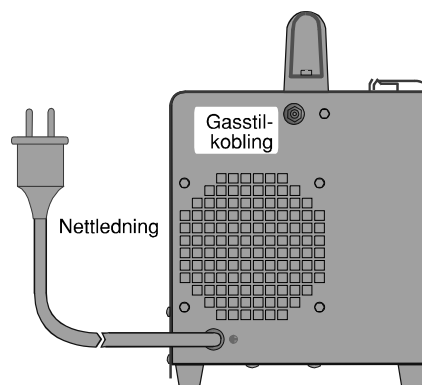
Plassering og omgivelser

- Denne maskinen kan brukes under de fleste forhold, men det er viktig at enkle forholdsregler følges for å sikre lang levetid og pålitelig drift.
- Ikke plasser eller bruk denne maskinen på underlag som heller 15° eller mer fra horisontalplanet.
- Maskinen må plasseres der det er fri sirkulasjon av ren luft, slik at luftstrømmen fra baksiden og ut på fronten ikke hindres. Dekk ikke maskinen med papir, kluter eller filler når den er i bruk.
- Støv og skitt som kan trekkes inn i maskinen bør holdes på et minimum.
- Denne maskinen har beskyttelsesklasse IP21. Hold maskinen tørr og beskyttet mot regn og snø. Plasser den aldri på et vått underlag (eller i en dam).

Plasser maskinen vekk fra utstyr som er elektromagnetisk følsomt. Normal bruk kan påvirke og skade elektronisk utstyr i umiddelbar nærhet. Les avsnittet om Elektromagnetisk kompatibilitet.

Maskinen bør ikke brukes i omgivelser med temperatur høyere en 40°C.

Nettilkobling



Kontroller at nettspenningen har rett volt, fase og frekvens før maskinen tas i bruk. Den anbefalte nettspenningen er angitt i avsnittet med: Tekniske spesifikasjoner, og på den tekniske platen på maskinen. Sjekk at nettstøpsel og kontakt er tilkoblet jord. Sjekk at kursen på nettilkoblingen kan gi tilstrekkelig med energi for normal bruk av maskinen. De nødvendige sikringsstørrelser og kabeltverrsnitt står også beskrevet i Tekniske spesifikasjoner.

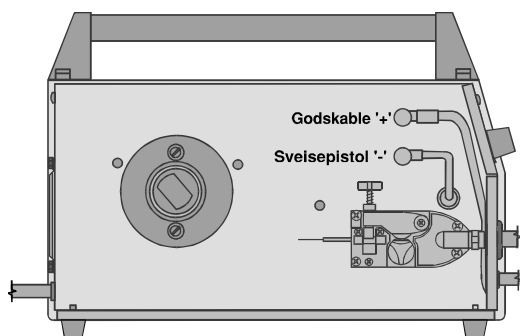
MIG/MAG sveising

Ved MIG/MAG sveising må det skaffes tilveie en gassbeholder med riktig type dekk-gass iforhold til hvilket materiale som skal sveises.

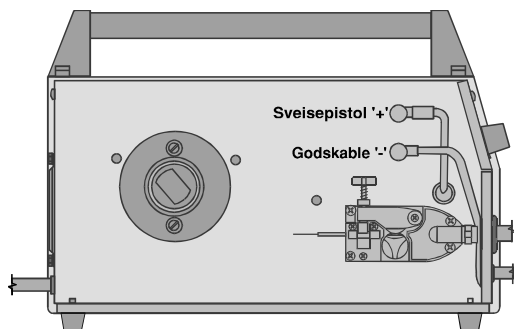
1. Lenk fast gassbeholderen til en vegg eller annet fastmotert materiell, slik at denne ikke velter, og at den holdes vekk fra strømførende kabler og sveisesonen.
2. Når beholderen er skikkelig festet. Åpen gassventilen et øyeblikk slik at eventuelt smuss eller fremmedpartikler blåses vekk fra munnstykket. Koble så til gassregulatoren.
3. Koble gasslangen til regulatoren og til koblingsstykket for maskinen ved hjelp av en slangeklemme. Sjekk at gasslangen ikke er vridd eller har knekk på seg.

Endre polaritet

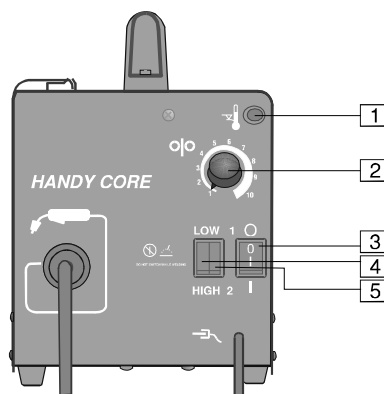
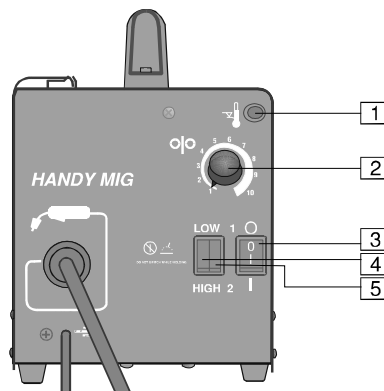
1. For sveising med negativ polaritet (DC- se også tegningen nedenfor). Slik er maskinen levert standard fra fabrikk. Med sveisepistolen tilkoblet den negative polen. Dette er riktig polaritet for Innershield sveising. For å gjøre oppkoblingen komplett trengs kun godskabelen tilkobles pluss polen på maskinen (DC+). Sjekk at begge vingemutterne er trukket skikkelig til.



2. For sveising med positiv polaritet (DC+ se også tegning nedenfor) Koble sveisepistolen til den positive polen (DC+) på strømkilden, samt godskabelen til den negative polen (DC-). Dette er rett tilkobling for MIG/MAG sveising. Sjekk at begge vingemutterne er trukket skikkelig til.



Innstilling og muligheter



Viser til figuren vist over.

1. Termisk sikring: Denne strømkilden har en intermittens på 20%. Hvis denne intermittensen overskrides vil den termiske sikringen slå ut og det vil ikke lenger så spenning på maskinen. Dette vil vare så lenge som maskinen er overopphetet. Maskinen vil starte å sveise igjen så fort den har nådd normal driftstemperatur igjen. Dette vil være automatisk.
2. Potensiometer for trådhastighet WFS (sveisestrøm)
3. Hovedbryter PÅ/AV: Når hovedbryteren er PÅ, og pistolavtrekkeren er inntrykket, vil det stå strøm og spenning på polene på strømkilden.
4. Bryter for Høy eller Lav buespenning: Denne bryteren styrer om det skal sveises med høy eller lav buespenning.
3. Bryter for fin innstilling av buespenningen: Denne trinnbryteren finjusterer buespenningen innenfor området Høy eller Lav buespenning.

MIG/MAG sveising

Tabellen nedenfor viser anbefalt dekk-gass for forskjellige materialer.

Material	Gas
Carbon Steel	CO ₂ or Argon / CO ₂
Low Alloy Steel	CO ₂ or Argon / CO ₂

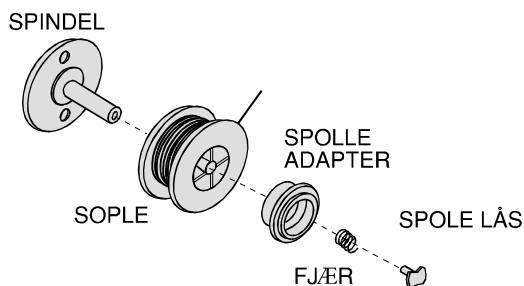
Innershield sveising

Anbefalt dimensjon på innershield tråden er 0,9mm. Lincoln Electric NR211-MP på 0,45kg spoler.

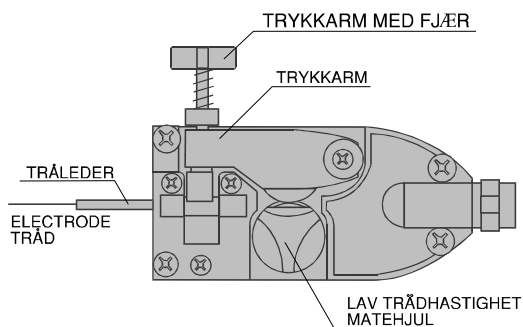
Innsetting av sveisetråd

Kontroller at maskinen er skrudd AV ("0") før du starter arbeidet inne i mateverket. Sjekk også at matehjul og kontaktrør har rett dimensjon iforhold til tråden som skal anvendes.

1. Sett trådspolen på spindelen slik at tråden dras av toppen på spolen og inn i mateverket.
2. Sett så spoleadapteren på spindelen utenpå trådspolen.
3. Sett så spiralfjæren på trådspolen og skru alt sammen med spoleskruen. Denne skal skrues med klokken.



4. Skru så opp vingeskruen på mateverket, og løft opp trykkarmen vekk fra matehjulet. Se at tråddimensjonen merket på matehjulets yterside er lik den dimensjonen tråd som skal benyttes.



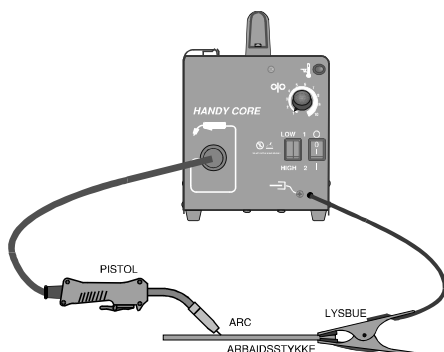
5. Ta forsiktig løs enden på sveisetråden fra trådspolen, samtidig som du holder over trådspolen slik at ikke tråden spinner av, og ikke slipp trådspolen før du er ferdig med punkt 8.
6. Klipp av de første 100 mm med en avbiter. Sjekk at tråden er rett uten bøyer eller "knuter".
7. Tre så trådenden igjennom trådleder inn, over matehjul og inn i trådlederen på sveisepistolen.
8. Lukk så igjen trykkarmen og skru til vingeskruen. Skru til vingeskruen godt, det er dette som gir matetrykk på tråden.
9. Jo mer vingeskruen på mateverket skrues til, jo hardere blir matetrykket. Det er viktig at matetrykket ikke blir for hardt, da dette kan skade tråden. Hvis matetrykket blir for lavt vil matehjulet "spinne" på tråden uten å mate tråden ordentlig. Da bør matetrykket økes noe.
10. Fjern gassmunnstykket og kontaktrøret fra sveisepistolen.
11. Skru maskinen PÅ ("0").
12. Rett ut slangepakken på sveisepistolen.
13. Trykk inn pistolbryteren og kjør sveisetråden igjennom slangepakken på sveisepistolen.
14. Skru maskinen AV ("0")
15. Sett på plass igjen kontaktrøret og gassmunnstykket, klipp så av sveisetråden slik at 15 mm stikker ut av enden.
16. Skru maskinen PÅ. Maskinen er nå klar til bruk. (Eventuelt åpne ventilen på gassbeholderen).

Dekkgassveising

Når det skal sveises med dekk-gass MIG/MAG trengs det en gassbeholder med gass. Dette kan være ren Carbon dioksyd (CO₂), Argon (Ar) eller en blanding mellom disse (Blandgass).

1. Åpne ventilen på gassbeholderen rolig. Bare skru opp ventilen en halv omdreining til flasketrykksmåleren på gassregulatoren slutter å stige. Da kan flaskeventilen åpnes for fullt.
2. Hold ventilen på gassbeholderen stengt til enhver tid utenom akkurat når sveisinge pågår. Når sveisingen er ferdig:
 - Steng ventilen på gassbeholderen for å stanse gasstrømmen.
 - Trykk inn pistolbryteren for å slippe ut gasstrykk i slangepakken.
 - Skru maskinen AV.

Sveising



1. Velg sveisemetode ut i fra materialkvalitet og tykkelse på arbeidsstykket, omgivelse og atmosfære hvor sveisingen skal foregå, samt finish på den ferdige sveisen/arbeidsstykket.
2. Velg kvalitet og installer sveisetråd etter ønsket sveisemetode. Bruk Lincoln Electric sveisetråd. Kvaliteten på tråden er avgjørende for et godt sveiseresultat.
3. Velg matehjul, kontaktør, og gassmunnstykke iht. valgt sveisemetode.
4. Kontroller at rett polaritet er valgt for prosessen, og at ventilen på gassbeholderen er åpnet. (Gjelder ved MIG/MAG sveising).

5. Viser til figuren over. Fest godsklemmen til arbeidsstykket som skal sveises. Godsklemmen må sitte godt fast til arbeidsstykket, og ha god elektrisk ledningsevne. Arbeidsstykket bør også være jordet.
6. Still inn rett sveiseparameter iht. valgt prosess, materialtykkelse, og sveiестilling.
7. Vær nøye med pistolvinkelen mot arbeidsstykket.
8. Ved oppstart av sveisingen, husk å beskytte øynene mot strålingen med mørkt sveiseglass.
9. Beveg sveisepistolen med en så jevn hastighet som mulig, og med et trådstikk på 10mm.
10. Stopp sveisingen ved å slippe opp pistolbryteren.
11. Ved avsluttet sveising, steng gassventilen på gassflasken, trykk så inn pistolbryteren for å slippe ut gassen i slangepakken, og skru av maskin.

Rengjøring av gassmunnstykket og kontaktørret

Rengjør i mellom gassmunnstykket og kontaktørret for sveisesprut og partikler slik at det ikke blir kontakt mellom disse. Hvis det skulle bli kontakt i mellom disse vil det resultere i kortslutning i gassmunnstykket og en overoppheting av sveisepistolen. Det bør med fordel brukes en anti-sprut pasta eller spray i gassmunnstykket for å unngå oppbygging av sveisesprut. Dette fåes kjøpt hos din sveiseleverandør.

Elektromagnetisk Kompatibilitet (EMC)

02/02

Dette produktet er i samsvar med EU-direktiv 89/336EEC og EN50199 produktstandard for Elektromagnetisk Kompatibilitet EMC, krav for utstyr til lysbuesveising og plasmaskjæring. Elektromagnetisk stråling kan påvirke mange elektroniske utstyr; annet nærliggende sveiseutstyr, radio- og TV- mottagere, numerisk styrte maskiner, telefonsystemer, datamaskiner etc. Når strålingen blir mottatt av annet utstyr, kan denne strålingen forstyrre utstyret. Les og forstå dette avsnittet for å redusere eller eliminere elektromagnetiske strålinger forårsaket av dette utstyret.



Denne maskinen har blitt laget for bruk i et Industrielt miljø. Vær oppmerksom på at det kan oppstå forstyrrelser fra sveise- eller skjærestrømkilden og ekstra tiltak kan bli nødvendige når strømkilden brukes i privathus o.l. Brukeren er ansvarlig for installasjon og bruk av utstyret gjøres iht. produsentens instruksjoner. Hvis elektromagnetiske forstyrrelser oppdages er det brukeren av sveiseutstyret som har ansvaret for å løse problemet, med teknisk assistanse fra produsenten. Modifiser ikke dette utstyret uten godkjenning fra Lincoln Electric.

Før installasjon av sveiseutstyret, skal brukeren foreta en vurdering av potensialet for elektromagnetiske problemer i nærliggende områder. Vurder følgende:

- Andre tilførselskabler, kontrollkabler, signaler- og telefonkabler; over, under og i nærheten av sveisestrømkilden.
- Radio, TV sender og mottaker. Datamaskiner og kontrollutstyr.
- Kritisk sikkerhetsutstyr, dvs. Sikring av industri. Utstyr for kalibrering av måleinstrumenter.
- Helsen til folk omkring; dvs. Brukere av pacemaker; høreapparater.
- Immuniteten til andre apparater i området. Brukeren skal forsikre seg om at sveiseutstyret kan samkjøres (er kompatibelt) med annet utstyr i området. Det kan da være nødvendig med ekstra sikkerhetstiltak.
- Tid på dagen som sveisingen eller andre aktiviteter, skal foregå. Størrelsen av omliggende område avhenger av utførelsen av byggingen og andre aktiviteter som finner sted der omliggende område kan stekke seg utenfor avgrensningen av lokalitetene.

Metoder for redusering av elektromagnetisk stråling fra maskinen.

- Sveiustyret skal kobles til nettet iht. produsentens anbefalinger. Hvis forstyrrelser oppstår kan det være nødvendig med ekstra tiltak, f.eks. installering av nettfiler. Det bør overveies å skjerme nettleidingen i metallfolie o.l. for permanent installert utstyr.
- Kablene skal holdes så korte som mulig, og legges så nær hverandre, og så nær gulvet som mulig. En sammenkobling til jord kan redusere stråling i noen tilfeller, men ikke bestandig. En bør prøve å unngå jording av arbeidsstykket, da jordingen vil øke risikoen for uhell for operatøren, eller ødeleggelse av annet utstyr.
- Selektiv skjerming og beskyttelse av andre kabler og utstyr i omkringliggende områder kan redusere problemer med forstyrrelser. Dette kan være nødvendig ved spesielle applikasjoner.

 **ADVARSEL**

Klasse A utstyr er ikke ment for bruk i private hjem hvor elektrisiteten er levert av offentlige lave spenningsystemer. Det kan eventuelt oppstå problemer med å sikre elektromagnetisk kompatibilitet på slike steder, grunnet ledede eller utstrålte forstyrrelser.



WEEE

07/06

Norsk



Kast ikke elektriske artikler sammen med vanlig søppel.

I følge det europeiske direktivet for Elektronisk Søppel og Elektriske Artikler 2012/19/EC (Waste Electrical and Electronic Equipment, WEEE) skal alt avfall kildesorteres og leveres på godkjente plasser i følge loven. Godkjente retur plasser gis av lokale myndigheter.

Ved å følge det europeiske direktivet bidrar du til å bevare naturen og den menneskelige helse.

Tekniske Spesifikasjoner

NETTSIDE			
Nettspenning 230 V ± 10% 1-fas	Maks belastning v/ intermittens 2.5 kW @ 20% Int.	Frekvens 50/60 Hertz (Hz)	
SVEISEKAPASITET ved 40°C			
Intermittens (Basert på en 10 min. periode) 20%	Sveiestrøm (A) 70 A	Buespenning (V) 17.5 Vdc	
SVEISESIDE			
Strømområde 45-80 Amps		Tomgangsspenning 29 Vdc	
ANBEFALTE STØRRELSER PÅ KABLER OG SIKRINGER			
Sikringsstørrelse 16 A Treg	Støpsel SCHUKO 16A/250V (Inkludert med maskinen)	Nettkabel 3 leder, 1.5mm ²	
DIVERSE			
Høyde 345 mm	Bredde 220 mm	Lengde 455 mm	Vekt 20.9 Kg
Driftstemperatur -20°C to +40°C		Lagringstemperatur -25°C to +55°C	

For vedlikehold og/eller reparasjon kontaktes Lincoln Electric, eller et godkjent Lincoln Electric serviceverksted. Dersom service og/eller reparasjon utføres av ikke autorisert personale eller -verksted dekkes dette ikke av Lincoln Electric garantibetingelser.



WAARSCHUWING

Deze apparatuur moet gebruikt worden door gekwalificeerd personeel. Zorg ervoor dat installatie, gebruik, onderhoud en reparatie alleen uitgevoerd wordt door gekwalificeerd personeel. Lees en begrijp deze gebruiksaanwijzing alvorens te lassen. Negeren van waarschuwingen en aanwijzingen uit deze gebruiksaanwijzingen kunnen lijden tot verwondingen, letsel, dood of schade aan het apparaat. Lees en begrijp de volgende verklaringen bij de waarschuwingssymbolen. Lincoln Electric is niet verantwoordelijk voor schade veroorzaakt door verkeerde installatie, slecht onderhoud of abnormale toepassingen.

	WAARSCHUWING: Dit symbool geeft aan dat alle navolgende instructies uitgevoerd moeten worden om letsel, dood of schade aan de apparatuur te voorkomen. Bescherm jezelf en anderen tegen letsel.
	LEES EN BEGRIJP DE INSTRUCTIES: Lees en begrijp deze gebruiksaanwijzing alvorens het apparaat te gebruiken. Elektrisch lassen kan gevaarlijk zijn. Het niet volgen van de instructies uit deze gebruiksaanwijzing kan letsel, dood of schade aan de apparatuur tot gevolg hebben.
	ELEKTRISCHE STROOM KAN DODELIJK ZIJN: Lasapparatuur genereert hoge spanning. Raak daarom de elektrode, werkstuklem en aangesloten werkstuk niet aan. Isoleer jezelf van elektrode, werkstuklem en aangesloten werkstukken.
	ROOK EN GASSEN KUNNEN GEVAARLIJK ZIJN: Lassen produceert rook en gassen die gevaarlijk voor de gezondheid kunnen zijn. Voorkom inademing van rook of gassen. Om deze gevaren te voorkomen moet er voldoende ventilatie of een afzuigstelsysteem zijn om de rook en gassen bij de lasser vandaan te houden.
	BOOGSTRALING KAN VERBRANDING VEROORZAKEN: Gebruik een lasscherm met de juiste lasglazen om de ogen te beschermen tegen straling en spatten. Draag geschikte kleding van een vlamvertragend materiaal om de huid te beschermen. Bescherm anderen in de omgeving door afscherming van de lasboog en vertel dat men niet in de lasboog moet kijken.
	LASSPATTEN KUNNEN BRAND OF EXPLOSIE VEROORZAKEN: Verwijder brandbare stoffen uit de omgeving en houdt een geschikte brandblusser paraat.
	ELEKTRISCHE APPARATUUR: Schakel de voedingsspanning af m.b.v. de schakelaar aan de zekeringkast als u aan de machine gaat werken. Aard de machine conform de nationaal (lokaal) geldende normen.
	ELEKTRISCHE APPARATUUR: Controleer regelmatig de aansluit-, de las- en de werkstuk kabel. Vervang kabels waarvan de isolatie beschadigd is. Leg de elektrodehouder niet op het werkstuk of een ander oppervlak dat in verbinding met de werkstuklem staat om ongewenst ontsteken van de boog te voorkomen.
	ELEKTRISCHE EN MAGNETISCHE VELDEN KUNNEN GEVAARLIJK ZIJN: Elektrische stroom, vloeiend door een geleider, veroorzaakt een lokaal elektrisch - en magnetisch veld (EMF). EMF-velden kunnen de werking van pacemakers beïnvloeden. Personen met een pacemaker dienen hun arts te raadplegen alvorens met lassen te beginnen.
	GASFLESSEN KUNNEN EXPLODEREN BIJ BESCHADIGING: Gebruik alleen gasflessen die het juiste beschermgas voor uw lasproces bevatten en gebruik bijbehorende reduceerventielen. Houd gasflessen altijd verticaal en zet ze vast op een onderstel of andere daarvoor geschikte plaats. Verplaats of transporteer geen flessen zonder kraanbeschermdop. Voorkom dat elektrode, elektrodehouder of andere elektrisch hete delen in aanraking komen met de fles. Plaats flessen zodanig dat geen kans bestaat op omverrijden of blootstelling aan andere materiële beschadiging en een veilige afstand tot las- of snijwerkzaamheden en andere warmtebronnen, vonken of spatten gewaarborgd is.
	AAN GELASTE MATERIALEN KUNT U ZICH BRANDEN: Lassen genereert een hoop warmte. Aan hete oppervlakken en materialen in de werkomgeving kunt u zich letsel branden. Gebruik handschoenen en tangen om werkstukken en materialen in de werkomgeving vast te pakken of te verplaatsen.
	CE OVEREENSTEMMING: Deze machine voldoet aan de Europese richtlijnen.



VEILIGHEIDSMARKERING: Deze machine is geschikt voor gebruik als voedingsbron voor lasstroom in omgevingen met een verhoogd risico en kans op elektrische aanraking.

Installatie en Bediening

Lees de gehele gebruiksaanwijzing alvorens de machine aan te sluiten of te gebruiken.

Algemene Omschrijving

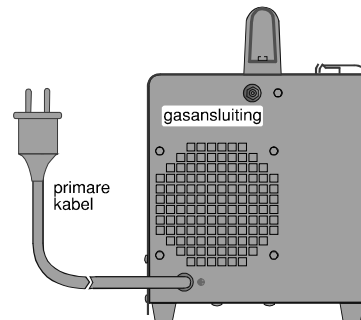
Dit is een semiautomatisch gelijkstroom lasapparaat met een CV karakteristiek. Deze machine gebruikt hiervoor een enkelfase CV transformator, een gelijkrichter en een gelijkstroom permanent magneetmotor voor het aanvoeren van de lasdraad (massieve draad en gasloze gevulde draad voor de for HANDY MIG en alleen gasloze gevulde draad voor de HANDY CORE). Deze machine is uitermate geschikt voor diegenen die toegang hebben tot een 230 volt lichtnet aansluiting en kwaliteit, het gemak en de betrouwbaarheid van zowel MIG (metaal inert gas) lassen als het Innershield lassen (Gasloze gevulde draad). Draadhaspels tot 5 kg kunnen in deze machine opgenomen worden.

Plaats en Omgeving

Deze machine zal onder de meest zware omstandigheden werken. Het is echter belangrijk dat een aantal eenvoudige maatregelen worden opgevolgd om een lange levensduur en betrouwbaarheid te garanderen.

- Plaats of gebruik de machine niet op hellend vlak met een hellingshoek $>15^\circ$.
- Plaats de machine dusdanig dat er een vrije circulatie van schone lucht is zonder de ventilatieopeningen te blokkeren. Dek de machine niet af met papier, doeken, o.i.d. wanneer deze ingeschakeld is.
- Beperk de opname (opzuigen) van stof en vuil zoveel mogelijk.
- De beschermingsgraad van deze machine is IP21. Houd de machine zo droog mogelijk en plaats het niet in plassen of op vochtige grond.
- Plaats de machine niet in de buurt van radiografisch bestuurd apparaat of machines. Normaal gebruik kan dichtbij geplaatste apparatuur beïnvloeden, wat gevaar op kan leveren voor personen en of machines. Lees ook de paragraaf elektromagnetische compatibiliteit in deze gebruiksaanwijzing.
- Gebruik deze machine niet daar waar de omgevingstemperatuur hoger is dan 40°C .

Primaire aansluiting



Controleer de primaire spanning, fasen en frequentie alvorens de machine in te schakelen. De toelaatbare netspanning is aangegeven in de technische specificatie in deze gebruiksaanwijzing en op het typeplaatje van de machine. Verzeker u ervan dat de machine goed geaard is.

Zorg ervoor dat er voldoende aansluitvermogen voor de machine aanwezig is en dat de zekeringen voldoen voor de opgenomen stroom. De noodzakelijke zekeringswaarde en kabeldoorsneden staan aangegeven in de technische specificaties in deze gebruiksaanwijzing.

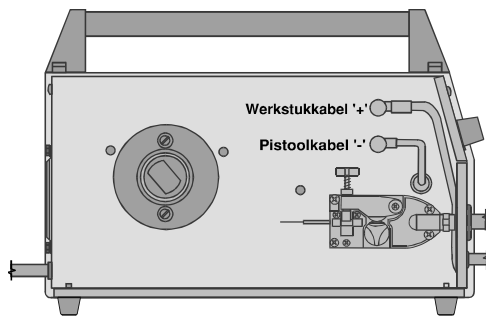
Aansluiten Beschermgas (alleen voor Handy MIG)

Wanneer er gebruik gemaakt wordt van het MIG proces, is een fles met beschermgas noodzakelijk (behorend bij het te lassen metaal).

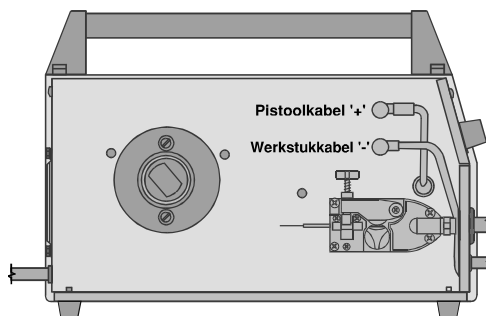
1. Monteer de gasfles dusdanig dat deze niet om kan vallen en ook geen deel uit kan maken van het elektrisch circuit.
2. Verwijder de beschermkap van de gasfles alleen dan, wanneer de gasfles goed bevestigd is. Ga opzij staan van de aansluiting en open de kraan kortstondig. Dit blaast vuil en stof van de aansluiting. Monteer daarna het reduceerventiel op de gasfles.
3. Sluit de ene zijde van de gasfles aan op de uitgaande zijde van het reduceerventiel met behulp van de slangklem. Sluit de andere zijde van de gas slang aan op de gasaansluiting op de machine, eveneens met een slangklem. Zorg ervoor dat de gas slang niet geknikt of verdraaid is.

Veranderen Polariteit (alleen voor Handy MIG)

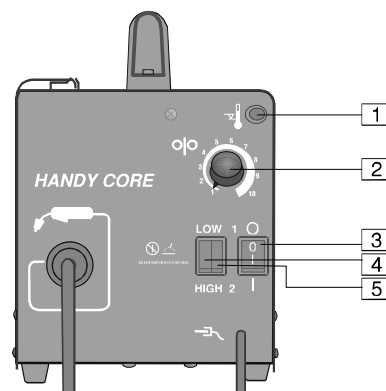
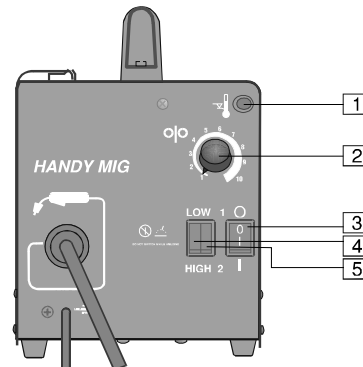
1. Voor het lassen aan de Negatieve Polariteit (DC-): Zie onderstaand figuur. Standaard wordt de machine geleverd, aangesloten aan de (-) pool. Dit is de standaard aansluiting voor het lassen van Gasloze gevulde draad (FCAW). Om de installatie de voltooiën moet de werkstukabel aangesloten worden op de Positieve (+) aansluiting. Zorg ervoor dat de beide schroefaansluitingen stevig vast zitten.



2. Voor het lassen aan de Positieve Polariteit (DC+): zie onderstaand figuur. Sluit de Pistoolkabel aan op de Positieve polariteit (+) en de werkstukabel op de Negatieve polariteit (-). Dit is de standaard aansluiting voor het MIG proces (Metal Inert Gas). Zorg ervoor dat de beide schroefaansluitingen stevig vast zitten.



Bedienelementen en functie



Zie bovenstaande figuren.

1. **Indicatielamp Thermische beveiliging:** Deze machine heeft een inschakelduur van 20%. Wanneer de machine overbelast wordt, schakelt de thermische beveiliging de machine uit totdat deze afgekoeld is tot de normale werkt temperatuur. Dit gebeurt geheel automatisch.
2. **Regelaar draadaanvoersnelheid.**
3. **AAN / UIT Schakelaar:** Wanneer deze op Aan staat wordt er draad aangevoerd en komt er lasstroom op het laspistool zodra de pistoolschakelaar ingedrukt wordt.
4. **3-4 Schakelaar lasstroombereik grof:** Een wisselschakelaar die het lasstroombereik in de hoge of lage stand schakelt.
5. **1-2 Fijnafstelling lasstroom:** Biedt fijnafstelling van het gekozen stroombereik.

MIG Lassen

Onderstaande tabel toont aanbevolen Materiaal / Gas combinaties voor massieve lasdraad.

Materiaal	Gas
Normaal (koolstof) staal	CO ₂ or Argon / CO ₂
Laag gelegeerd staal	CO ₂ or Argon / CO ₂

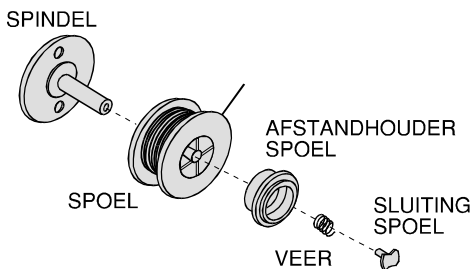
Lassen met Gasloze gevulde draad (Innershield)

De aanbevolen lasdraad voor het Innershield lassen is 0.9 mm diameter Lincoln Innershield NR-211-MP op 0.45 kg spoelen.

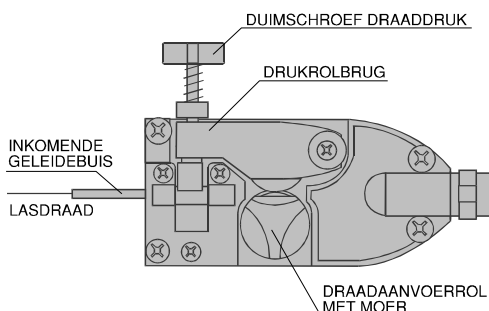
Werkwijze voor montage draadhaspel

Schakel de machine UIT met de Aan/Uit schakelaar ("0" positie) alvorens de draadhaspel te monteren. Zorg ervoor dat de draadaanvoerrol en de contacttip van het laspistool geschikt zijn voor de gebruikte lasdraad.

1. Druk de spoel dusdanig op de spindel dat de lasdraad van boven afwikkelt, richting de draadaanvoerrol.
2. Druk de afstandhouder op de spindel, tegen de spoel. Draai de afstandhouder om indien nodig.
3. Schuif de veer tegen de spoel, druk de spoelhouder op de spindel en draai deze met de klok mee vast.



4. Verwijder de duimschroef en draai de drukrolbrug omhoog van de draadaanvoerrol. Verzeker u ervan dat de zichtbaar gedrukte draaddiameter van de draadaanvoerrol overeenkomt met de gebruikte



lasdraad.

5. Maak voorzichtig het uiteinde van de lasdraad los van de spoel, maar zorg ervoor dat de haspel niet vanzelf afwikkelt. Laat de lasdraad niet los voordat deze in het draadaanvoersysteem vergrendeld is.

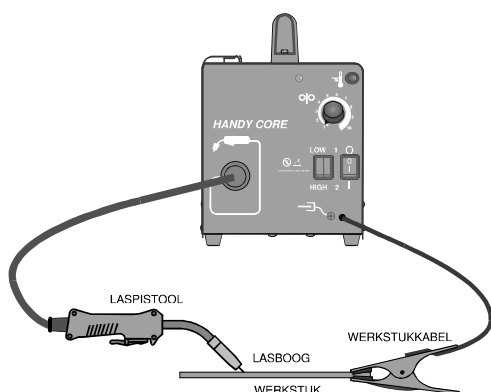
6. Knip gebogen deel van de draad af en strek de eerste 100mm.
7. Voer de draad in door de ingaande geleidebuis, over de draadaanvoerrol en in de liner van het laspistool.
8. Sluit de drukrolbrug en vergrendel de duimschroef. Draai de duimschroef zover in dat de lasdraad regelmatig wordt aangevoerd (je kan de lasdraad nu loslaten). Zorg ervoor dat de lasdraad in de juiste groef van de draadaanvoerrol loopt.
9. Regel de druk op de drukrolbrug af met behulp van de duimschroef. Begin met een gemiddelde waarde. Kijk hoe de lasdraad aangevoerd wordt en stel indien nodig de druk nogmaals in. De druk moet dusdanig zijn dat de lasdraad gelijkmatig aangevoerd wordt.
10. Verwijder de Cup en Contacttip van het laspistool.
11. Schakel de machine IN ("1").
12. Strek het kabelpakket van het laspistool.
13. Druk de pistoolschakelaar in en voer de lasdraad door het laspistool. Houdt het laspistool van jezelf en anderen af gericht. Laat de pistoolschakelaar weer los wanneer de lasdraad uit het laspistool komt.
14. Schakel de machine UIT ("0").
15. Monteer de contacttip en cup. Knip de uitstekende lasdraad af, zodat nog 10 tot 15 mm uitsteken uit de tip.
16. Schakel de machine IN ("1"). De machine is nu klaar om te lassen.

Beschermgas (Alleen voor Handy MIG)

Beschermgas, Kooldioxide (CO₂) of een Argon/ CO₂ menggas, is noodzakelijk bij het MIG-Proces. Er moet een reduceerventiel aangesloten worden op de gasfles.

1. Open de afsluiter van de gasfles voorzichtig een kwart slag. Open de afsluiter volledig wanneer de manometer van het reduceerventiel stilstaat.
2. Houdt de afsluiter van de gasfles gesloten, behalve dan wanneer er gelast wordt. Wanneer men klaar is met lassen:
 - Sluit de afsluiter van de gasfles.
 - Druk nog eenmaal de pistoolschakelaar om de druk van de gas slang te laten.
 - Schakel de machine uit.

LASSEN



1. Selecteer het juiste lasproces op basis van het soort werkstuk, de kwaliteit van de te lassen delen, de omgeving waarin gelast moet worden en het gewenste lasuiterlijk.
2. Selecteer en installeer de lasdraad die past bij het gekozen lasproces. Gebruik bij voorkeur originele Lincoln Electric lasdraad. Kwaliteits lasdraad is essentieel voor geslaagd lassen.
3. Installeer de juiste draadaanvoerrol, contact tip en gascup, behorend bij het lasproces.
4. Controleer of de Polariteit juist is voor de gebruikte lasdraad en het beschermgas (indien nodig) ingeschakeld is.
5. Zie ook bovenstaand figuur. Sluit de werkstukkabel aan op het te lassen werkstuk. De werkstukkleem moet goed elektrisch contact maken met werkstuk. Zorg ervoor dat ook het werkstuk geaard is.
6. Stel de juiste lasparameters (spanning en draadsnelheid) in voor de gebruikte lasdraad en materiaaldikte van het werkstuk.
7. Positioneer het laspistool op basis van het te lassen werkstuk.
8. Houdt het lasscherm voor je ogen en druk de pistoolschakelaar in om te lassen.
9. Beweeg tijdens het lassen met een constante voortloopsnelheid en probeer een uitsteeklengte van ca 10mm te handhaven. Volg de juiste richting van de lasnaadvorm t.o.v. het werkstuk.
10. Laat de pistoolschakelaar los, wanneer men wil stoppen.
11. Wanneer men klaar is met lassen, sluit dan de afsluiter van de gasfles, druk de pistoolschakelaar nog eenmaal kort in en schakel de machine uit.

Schoonmaken Contacttip en Gascup

Reinig regelmatig de contacttip en de gascup om ophoping van lasspatten te voorkomen. Ophoping kan leiden tot Kortsluiting tussen Tip en Cup, slecht lassen door verstoorde gasstroom en oververhitting van het laspistool. Anti-spat spray of gel, te koop bij de vakhandel, beperkt de ophoping en vergemakkelijkt het verwijderen van lasspatten.

Elektromagnetische Compatibiliteit (EMC)

06/02

Deze machine is ontworpen in overeenstemming met alle van toepassing zijnde bepalingen en normen. Desondanks kan de machine elektromagnetische ruis genereren die invloed kan hebben op andere systemen zoals telecommunicatiesystemen (radio, televisie en telefoon) of beveiligingssystemen. Deze storing interferentie kan leiden tot veiligheidsproblemen in het betreffende systeem. Lees en begrijp deze paragraaf om elektromagnetische interferentie (storing), opgewekt door deze machine, te elimineren of te beperken.



Deze installatie is ontworpen om in een industriële omgeving gebruikt te worden. Het is belangrijk om voor gebruik in een huiselijke omgeving aanvullende voorzorgsmaatregelen te nemen om mogelijke elektromagnetische interferentie te elimineren. De gebruiker dient deze machine te installeren en te gebruiken zoals beschreven in deze gebruiksaanwijzing. Indien elektromagnetische interferentie voorkomt, dient de gebruiker maatregelen te nemen om deze interferentie te elimineren. Indien nodig kan hij hiervoor assistentie vragen aan de dichtstbijzijnde Lincoln Electric vestiging.

Voordat de machine geïnstalleerd wordt dient de gebruiker de werkplek te controleren op apparatuur die t.g.v. interferentie slecht functioneren. Let hierbij op:

- Primaire- en secundaire kabels, stroomkabels en telefoonkabels in de directe en nabije omgeving van de werkplek en de machine
- Radio en/of televisie zenders en ontvangers. Computers of computergestuurde apparatuur.
- Beveiligen en besturingen van industriële processen. Meet en ijk gereedschap.
- Persoonlijke medische apparatuur zoals pacemakers en gehoorapparaten.
- Controleer de elektromagnetische immuniteit van apparatuur op of nabij de werkplek. De gebruiker dient er zeker van te zijn dat alle apparatuur in de omgeving immuun is. Dit kan betekenen dat er aanvullende maatregelen genomen moeten worden.
- De dimensies van het gebied waarvoor dit geldt hangen af van de constructie en andere activiteiten die plaatsvinden.

Neem de volgende richtlijnen in acht om elektromagnetische emissie van de machine te beperken.

- Sluit de machine op het net aan zoals beschreven in deze gebruiksaanwijzing. Indien storing optreedt, kan het nodig zijn aanvullende maatregelen te nemen zoals bijvoorbeeld het filteren van de primaire spanning.
- Las en werkstuklabels dienen zo kort mogelijk naast elkaar te liggen. Leg, indien mogelijk, het werkstuk aan aarde om elektromagnetische emissie te beperken. De gebruiker moet controleren of het aan aarde leggen van het werkstuk gevolgen heeft voor het functioneren van apparatuur en de veiligheid van personen.
- Het afschermen van kabels in het werkgebied kan elektromagnetische emissie beperken. Dit kan bij speciale toepassingen nodig zijn.

 **WAARSCHUWING**

De klasse A-apparatuur is niet bedoeld voor gebruik in bewoonde plaatsen waar de elektrische stroom wordt geleverd door het openbare laagspanningsnetstelsel. Er kan sprake zijn van potentiële moeilijkheden bij het waarborgen van de elektromagnetische compatibiliteit op die locaties, te wijten aan geleide en radiofrequente storingen.



WEEE

07/06

Nederlandse



Gooi elektrische apparatuur nooit bij gewoon afval!

Met inachtneming van de Europese Richtlijn 2012/19/EC met betrekking tot Afval van Elektrische en Elektronische Apparatuur (Waste Electrical and Electronic Equipment, WEEE) en de uitvoering daarvan in overeenstemming met nationaal recht, moet elektrische apparatuur, waarvan de levensduur ten einde loopt, apart worden verzameld en worden ingeleverd bij een recycling bedrijf, dat overeenkomstig de milieuwetgeving opereert. Als eigenaar van de apparatuur moet u informatie inwinnen over goedgekeurde verzamelingsystemen van onze vertegenwoordiger ter plaatse.

Door het toepassen van deze Europese Richtlijn beschermt u het milieu en ieders gezondheid!

Technische Specificaties

Primair			
Aansluitspanning 230 V ± 10% Een fase	Opgenomen vermogen 2.5 kW @ 20% ID	Frequentie 50/60 Hertz (Hz)	
Secundair bij 40°C			
Inschakelduur (Op basis van een periode van 10 min.) 20%	Lasstroom 70 A	Lasspanning 17.5 Vdc	
Secundair			
Lasstroombereik 45-80 Ampère		Open spanning 29 Vdc	
Aanbevolen aansluitkabel en zekeringen			
Zekering waarde 16 A Traag	Type stekker SCHUKO 16A/250V (Wordt bij machine geleverd)	Primaire kabel 3 Aderig, 1.5mm ²	
Afmetingen			
Hoogte 345 mm	Breedte 220 mm	Lengte 455 mm	Gewicht 20.9 Kg
Werktemperatuur -20°C tot +40°C		Opslagtemperatuur -25°C tot +55°C	

Neem contact op met het dichtstbijzijnde Lincoln Electric service centrum of met Lincoln Electric voor onderhoud en reparatie. De garantie vervalt als onderhoud of reparatie uitgevoerd wordt door een niet geautoriseerd service centrum of personeel.

Säkerhetsanvisningar



02/02



VARNING

Denna utrustning får endast användas av behörig personal. Var noga med att enbart låta behörig personal utföra installation, drift, underhåll och reparationer. Läs igenom bruksanvisningen för full förståelse innan utrustningen tas i drift. Underlåtenhet att följa instruktionerna i bruksanvisningen kan medföra allvarliga personskador, förlust av liv eller skador på utrustningen. Det är viktigt att läsa, och förstå, förklaringarna nedan till varningssymbolerna. Lincoln Electric ikläder sig inget ansvar för skador som är orsakade av felaktig installation, eftersom underhåll eller onormala driftförhållanden.

	VARNING: Symbolen innebär att instruktionerna måste följas för att allvarliga personskador, förlust av liv eller skador på utrustningen skall kunna undvikas. Skydda Er själv och andra mot allvarliga skador eller dödsfall.
	LÄS OCH FÖRSTÅ INSTRUKTIONERNA: Läs igenom, och förstå, den här bruksanvisningen innan utrustningen tas i drift. Ljusbågs svetsning kan vara farligt. Underlåtenhet att följa instruktionerna i bruksanvisningen kan medföra allvarliga personskador, förlust av liv eller skador på utrustningen.
	ELEKTRISK STÖT KAN DÖDA: En svetsutrustning skapar höga spänningar. Rör därför aldrig vid elektroden, jordklämman eller anslutna arbetsstycken när utrustningen är aktiv. Isolera Er från elektroden, jordklämman och anslutna arbetsstycken.
	ÅNGOR OCH GASER KAN VARA FARLIGA: Vid svetsning kan det bildas hälsovådliga ångor och gaser. Undvik att andas in dessa ångor och gaser. För att undvika dessa risker måste operatören ha tillgång till tillräcklig ventilation eller utsug för att hålla ångorna och gaserna borta från andningszonen.
	STRÅLNING FRÅN LJUSBÅGEN KAN GE BRÄNNSKADOR: Använd en skärm eller svetshjälm med ett, för uppgiften, lämpligt filter för att skydda ögonen mot sprut och strålning från ljusbågen under svetsningen och när ljusbågen betraktas. Använd en lämplig klädsel av flamskyddat material för att skydda Din och Dina medhjälparens hud. Skydda personal i närheten med en lämplig skärm av icke brännbart material och varna dem så att de inte tittar på ljusbågen eller exponerar sig för ljusbågens strålning.
	SVETSSPRUT KAN ORSAKA BRÄNDER ELLER EXPLOSION: Avlägsna brännbara föremål från svetsområdet och ha alltid en eldsläckare till hands. Svetssprut och heta partiklar från svetsprocessen kan lätt passera genom små springor eller öppningar in till omkringliggande områden. Svetsa aldrig på tankar, fat, containers eller andra föremål innan Du har förvässat Dig om att det inte finns några brännbara eller giftiga ångor närvarande. Använd aldrig utrustningen i närheten av brännbara gaser, ångor eller vätskor.
	ELEKTRISK UTRUSTNING: Stäng av matningsspänningen med hjälp av strömställaren på säkringsboxen innan något arbete utförs på utrustningen. Jorda utrustningen i enlighet med lokala elektriska föreskrifter.
	ELEKTRISK UTRUSTNING: Kontrollera regelbundet spänningsmatningen och kablarna till elektroden och jordklämman. Byt omedelbart ut kablar med skadad isolering. För att undvika att det oavsiktligt uppstår en ljusbåge får man aldrig placera elektrodhållaren direkt på svetsbordet eller på någon annan yta som är i kontakt med jordklämman.
	ELEKTRISKA OCH MAGNETISKA FÄLT KAN VARA FARLIGA: En elektrisk ström som flyter genom en ledare ger upphov till elektriska och magnetiska fält. Dessa kan störa vissa pacemakers och svetsare som har pacemaker måste konsultera sin läkare innan de använder den här utrustningen.
	GASFLASKOR KAN EXPLODERA OM DE ÄR SKADADE: Använd enbart föreskrivna gasflaskor med en skyddsgas som är avpassad för den aktuella processen. Var noga med att enbart använda en tryckregulator som är avsedd för den aktuella skyddsgasen och det aktuella trycket. Förvara alltid gasflaskor stående upprätt och förankrade till ett fast föremål. Flytta eller transportera aldrig gasflaskor utan att först montera skyddshatten. Låt aldrig elektroden, elektrodhållaren, jordklämman eller någon annan del som är spänningssatt komma i kontakt med gasflaskan. Gasflaskor skall förvaras på ett sådant sätt att de inte utsätts för fysisk åverkan eller för sprut och värmeinstrålning från svetsprocessen.
	SVETSAT MATERIAL KAN ORSAKA BRÄNNSKADOR: Svetsning genererar mycket värme. Heta ytor och material i arbetsområdet kan orsaka allvarliga brännskador. Använd handskar och en tång för att flytta eller hantera material inom arbetsområdet.

	CE - MÄRKNING: Denna utrustning är tillverkad i enlighet med relevanta EU direktiv.
	SÄKERHETSMÄRKNING: Denna utrustning är lämplig att använda för svetsning i en miljö där det föreligger en förhöjd risk för elektrisk stöt.

Instruktioner för Installation och Handhavande

Läs hela detta avsnitt innan maskinen tas i bruk.

Allmän beskrivning

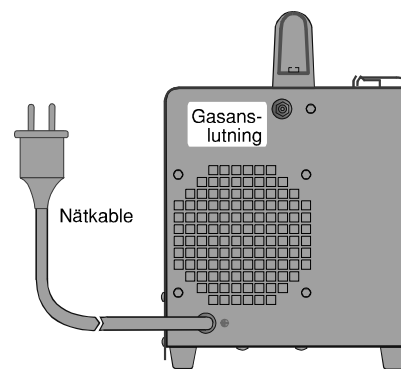
Denna maskin är en halvautomatisk konstantspännings DC bågsvets. Maskinen är uppbyggd med en 1-fas transformator, likriktare och en DC permanentmagnetsmotor för matning och svetsning av homogentråd och rörtråd (HANDY MIG) och endast rörtråd (HANDY CORE). Maskinen är mycket lämplig för de som har tillgång till 230 V 1-fas elnät och som vill ha en lättanvänd svetsmaskin med hög kvalitet och tillförlitlighet för gasbågs svetsning (MIG/MAG) och Innershield (självskyddande rörtråd). Maskinen är avsedd för trådbobiner på upp till 1 kg.

Placering och arbetsmiljö

Maskinen är konstruerad för att arbeta under besvärliga förhållanden. Det är emellertid viktigt att vidta vissa enkla försiktighetsåtgärder för att säkerställa lång livslängd och tillförlitlig drift.

- Placera aldrig maskinen på en yta som lutar mer än 15° från horisontalplanet.
- Maskinen måste placeras så att den fria strömningen av ren luft till och från ventilationsöppningarna inte hindras. Täck aldrig över maskinen med papper, trasor eller annat som kan förhindra den fria luftströmningen.
- Damm och smuts måste förhindras att sugas in i maskinen så långt det är möjligt.
- Maskinen håller skyddsklass IP23. Håll maskinen torr så långt det är praktiskt möjligt och placera den aldrig på våt mark eller i vattenpölar.
- Placera inte maskinen i närheten av radiostyrd utrustning. Även vid normal drift kan funktionen hos radiostyrd utrustning störas allvarligt vilket kan leda till olyckor eller skada på utrustningen. Läs avsnittet om elektromagnetisk kompatibilitet i den här bruksanvisningen.
- Maskinen får inte användas när omgivningstemperaturen överstiger 40°C.

Inkoppling av Svetskablar



Kontrollera matningsspänningen och frekvensen innan maskinen startas. Tillåten matningsspänning finns angiven på maskinens märkskylt och i bruksanvisningens avsnitt om tekniska data. Kontrollera särskilt att maskinen är ordentligt jordad i förhållande till spänningsförsörjningen.

Kontrollera att den installerade effekten är tillräcklig i förhållande till maskinens normala drift. Nödvändiga säkringar och kabelareor finns angivna i avsnittet om tekniska data.

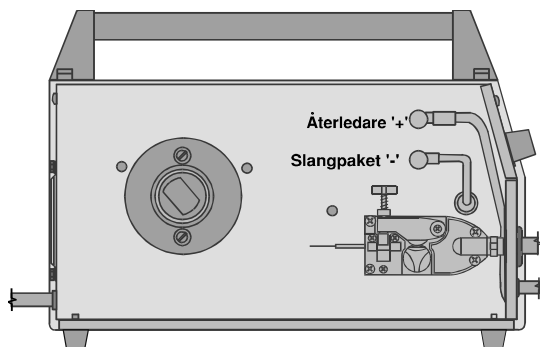
Inkoppling av skyddsgas (endast HANDY MIG)

Vid MIG/MAG-svetsning måste en tub med skyddsgas (av rätt typ för det material som skall svetsas) införskaffas.

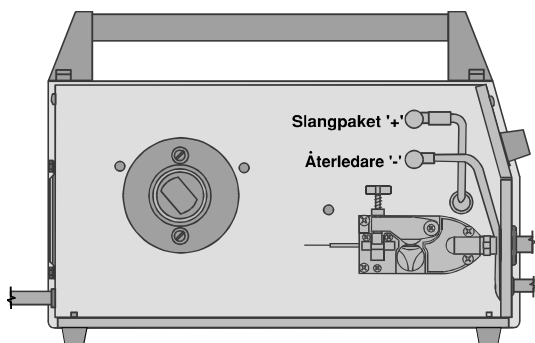
1. Säkra gastuben mot en vägg eller annat fast stöd för att skydda den från att falla eller komma i kontakt med arbetsstycket.
2. Med gastuben säkrad avlägsnas dess skyddshuv. Stå åt sidan och öppna gastubens ventil för ett ögonblick. Detta blåser bort ev. föroreningar ur anslutningen för gasregulatorn. Anslut gasregulatorn till gastuben.
3. Anslut gasslangen mellan gasregulatorn och maskinens gasanslutning med slangklämmor. Se till att slangen inte är vikt eller vriden.

Växling av polaritet (endast HANDY MIG)

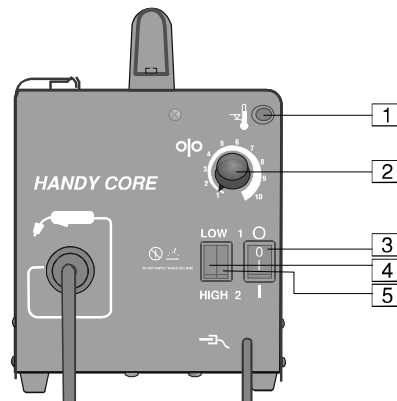
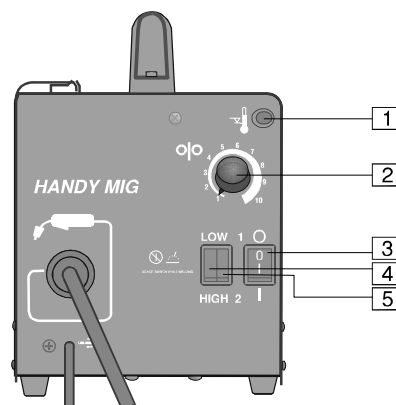
1. För svetsning med minuspolaritet (DC -): Se bilden nedan. Maskinen levereras uppkopplad för DC – med svetspistolen ansluten till – polen. Detta är konfigurationen för svetsning med Innershield rörtråd. Anslut återledarkabeln till + polen. Se till att båda kabelanslutningarna är ordentligt åtdragna.



2. För svetsning med pluspolaritet (DC +): Se bilden nedan. För DC + anslut svetspistolen till + polen och återledaren till – polen. Detta är konfigurationen för MIG/MAG-svetsning. Se till att båda kabelanslutningarna är ordentligt åtdragna.



Kontroller och funktioner



Se bilderna ovan.

1. **Indikering av för hög temperatur:** Maskinen har 20% intermittensfaktor. Om denna överskrids kommer en termostat att stoppa maskinen till dess att den svalnat till normal temperatur. Detta sker automatiskt och kräver ingen åtgärd av användaren.
2. **Trådmatningshastighet**
3. **AV/PÅ-brytare:** När maskinen är PÅ är svetskablarna och matarverket strömförande när svetspistolens avtryckare trycks in.
4. **Låg/Hög svetsspänning:** En vippströmbrytare för grovinställning av svetsspänningen.
5. **1-2 finjustering:** För finjustering av svetsspänningen inom den valda grovinställningen.

MIG/MAG-svetsning

Tabellen nedan visar rekommenderade material- och skyddsgaskombinationer vid MIG/MAG-svetsning.

Material	Skyddsgas
Oleg. stål	100% CO ₂ eller Ar + >5-25% CO ₂
Lågleg. stål	100% CO ₂ eller Ar + >5-25% CO ₂
Rostfritt stål	Ar + >0-5% O ₂ eller Ar + >0-3% CO ₂

Svetsning med Innershield rörtråd

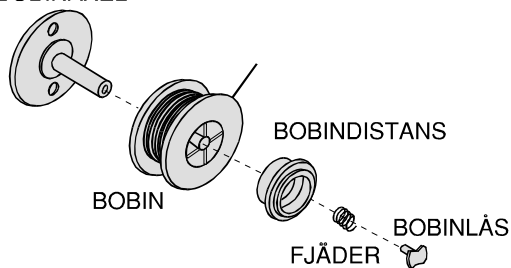
Den rekommenderade tråden för denna process är Lincoln Innershield NR211-MP Ø 0.9mm på 0.45 kg bobin.

Laddning av svetstråd

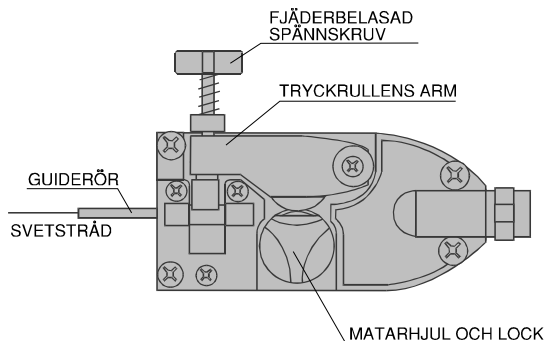
Stäng av maskinen innan arbetet i matarverksutrymmet påbörjas. Se till att matarhjul och kontaktmunstycke passar för den typ och dimension av tråd som skall användas.

1. Skjut trådbobinen på axeln så att tråden hasplas av på bobinens ovasida.
2. Skjut bobindistansen på axeln mot bobinen. Vänd bobindistansen så att tillräcklig bromsverkan mot bobinen erhålls.
3. Skjut på fjädern och sedan bobinlåset som vrids medurs för att låsa bobinen på axeln.

BOBINAXEL



4. Lossa den fjäderbelastade spännskruven och lyft tryckrullens arm från matarhjulet. Se till att märkningen på matarhjulets utsida motsvarar den använda tråddimensionen.
5. Lossa försiktigt trådändan från bobinen utan att släppa taget. Släpp inte tråden förrän efter punkt 8.



6. Klipp av den böjda trådändan och räta ut de första 100mm av tråden.
7. Skjut tråden genom guideröret, över matarhjulet och in i slangpaketet.
8. Se till att tråden ligger i matarhjulets spår. Fäll ned tryckrullen och dra åt spännskruven så att tryckrullen ligger an ordentligt mot tråden. (Nu kan du släppa tråden).
9. Justera trycket på tråden med den fjäderbelastade spännskruven. Spänn inte hårdare än vad som krävs för att tråden skall kunna matas fram utan att matarhjulet slirar.
10. Lossa gaskåpan och kontaktmunstycket från svetspistolen.

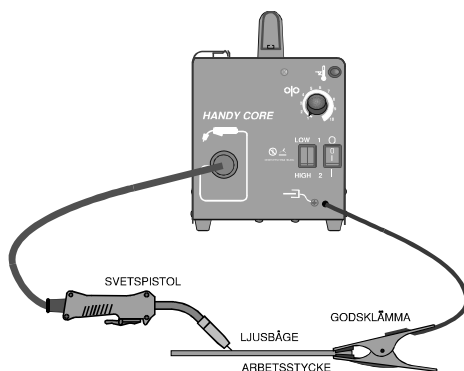
11. Sätt igång maskinen.
12. Räta ut slangpaketet.
13. Tryck in svetspistolens avtryckare och mata fram tråden genom slangpaketet. (Rikta svetspistolen bort från dig själv och andra.) Släpp avtryckaren när tråden kommit genom svetspistolen.
14. Stäng av maskinen.
15. Sätt tillbaka kontaktmunstycket och gaskåpan. Klipp av tråden så att 10-15mm sticker fram ur kontaktmunstycket.
16. Sätt igång maskinen. Maskinen är nu klar att använda.

Skyddsgas (endast HANDY MIG)

Vid MIG/MAG-svetsning behövs en tub skyddsgas med CO₂ eller blandgas. Gasregulatorn ansluts på gastuben. En adapter och en packning krävs om 100% CO₂ används. En sådan adapter kan skaffas hos gasleverantören.

1. Gastubens ventil öppnas långsamt bara lite grand. När manometerens visare stannat öppnas ventilen helt.
2. Håll gastubens ventil stängd när du inte svetsar. Vid avslutad svetsning:
 - Stäng gastubens ventil.
 - Tryck in svetspistolens avtryckare ett ögonblick för att släppa ut gastrycket ur gasledningarna.
 - Stäng av maskinen

Svetsning



1. Välj svetsmetod beroende på vilket material som skall svetsas, miljön svetsningen skall utföras i och önskat slutresultat.
2. Välj och ladda svetstråd för den aktuella svetsmetoden. Använd Lincoln Electric svetstråd. Kvaliteten på svetstråden är avgörande för svetsresultatet.
3. Montera matarhjul, kontaktmunstycke och gaskåpa passande svetsmetoden.
4. Kontrollera att polariteten är rätt för svetsmetoden och att skyddsgas, om så krävs, är ansluten.
5. Se bilden ovan. Anslut godsklämman till arbetsstycket. Se till att god elektrisk kontakt erhålles.
6. Trådmatning och svetsspänning ställs in beroende på svetsmetod och godstjocklek.

7. Placera svetspistolen i fogen i korrekt vinkel.
8. För att börja svetsa, skydda ögonen med svetssskärmen och tryck på avtryckaren.
9. Under svetsningen förs svetspistolen längs fogen med jämn hastighet och med ett trådutstick på ca 10mm. Använd framföringsriktning enligt svetsmetoden och fogens läge.
10. För att avsluta svetsningen, släpp avtryckaren.
11. Efter avslutad svetsning, stäng gasventilen, tryck in avtryckaren ett ögonblick för att släppa gastrycket och stäng av maskinen.

svetsresultat och överhettning av svetspeistolen. Svetsspray eller –pasta kan minska uppbyggnad av svetssprut och underlätta rengöring.

Rengöring av kontaktmunstycke och gaskåpa

Rengör kontaktmunstycket och gaskåpan för att undvika kontakt mellan dem. Detta kan ge kortslutning, dåligt

Elektromagnetisk Kompatibilitet (EMC)

02/02

Den här maskinen är tillverkad i enlighet med alla relevanta direktiv och standarder. Trots detta kan den ge upphov till elektromagnetiska störningar som kan påverka andra system, som t.ex. telekommunikationer (telefon, radio och television) eller andra säkerhetssystem. Dessa störningar kan ge upphov till säkerhetsproblem i de påverkade systemen. Läs det här avsnittet för att få en bättre kunskap om hur man eliminerar eller minskar de elektromagnetiska störningar som maskinen ger upphov till.



Maskinen är konstruerad för att användas i industriell miljö. Om den skall användas i hemmiljö är det nödvändigt att vidta särskilda försiktighetsåtgärder för att undanröja de elektromagnetiska störningar som kan tänkas uppträda. Utrustningen måste installeras och manövreras på det sätt som beskrivs i den här bruksanvisningen. Om elektromagnetiska störningar upptäcks under drift måste man vidta lämpliga åtgärder för att eliminera dessa. Om det är nödvändigt kan detta ske med hjälp från Lincoln Electric. Det är inte tillåtet att genomföra förändringar eller modifieringar på maskinen utan skriftligt tillstånd från Lincoln Electric.

Innan maskinen installeras måste man kontrollera arbetsområdet så att där inte finns några maskiner, apparater eller annan utrustning vars funktion kan störas av elektromagnetiska störningar. Beakta särskilt följande:

- Nätkablar, svetskablar, manöverkablar och telefonkablar som befinner sig inom eller i närheten av maskinens arbetsområde.
- Radio och/eller televisionssändare eller mottagare. Datorer och datorstyrd utrustning.
- Säkerhets- och övervakningssystem för industriella processer. Utrustning för mätning och kalibrering.
- Medicinska hjälpmedel för personligt bruk som t.ex. pacemaker och hörapparater.
- Kontrollera den elektromagnetiska störkänsligheten för utrustning som skall arbeta i arbetsområdet eller i dess närhet. Operatören måste förvissa sig om att all utrustning inom området är kompatibel i detta avseende vilket kan kräva ytterligare skyddsåtgärder.
- Arbetsområdets storlek är beroende av områdets utformning och de övriga aktiviteter som kan förekomma där.

Beakta följande riktlinjer för att reducera maskinens elektromagnetiska strålning.

- Koppla in maskinen till spänningsförsörjningen enligt anvisningarna i den här bruksanvisningen. Om störningar uppstår kan det bli nödvändigt att installera ett filter på primärsidan.
- Svetskablar skall hållas så korta som möjligt och de skall placeras in till varandra. Jorda arbetsstycket, om det är möjligt, för att på så sätt minska den elektromagnetiska strålningen. Man måste emellertid kontrollera att jordningen inte medför andra problem eller medför risker för utrustning och personal.
- Att använda skärmade kablar inom arbetsområdet kan reducera den elektromagnetiska strålningen. Detta kan bli nödvändigt för vissa speciella tillämpningar.

VARNING

Denna Klass A svetsutrustning är inte avsedd att användas på platser där spänning (volt) kommer från ett nät med lågspännings system. Det kan bli problem med att säkra den elektromagnetiska kompatibiliteten på dessa platser, beroende på att den kan störa känslig utrustning.





Tekniska Specifikationer

NÄTSIDA			
Nätspänning 230 V \pm 10% 1-fas	Effektförbrukning 2.5 kW @ 40% Intermittens	Frekvens 50/60 Hertz (Hz)	
SVETSDATA VID 40°C			
Intermittens (Baserat på 10 min. period) 20%	Svetsström 70 A	Svetsspänning 17.5 Vdc	
SVETSOMRÅDE			
Svetsströmsområde 45-80 A		Max. tomgångsspänning 29 Vdc	
REKOMMENDERADE NÄTKABLAR OCH SÄKRINGAR			
Smält- eller automatsäkring 16 A Trög	Typ av kontakt SCHUKO 16A/250V (Levereras med maskinen)	Nätkabel 3 x 1.5 mm ²	
MÅTT & VIKT			
Höjd 345 mm	Bredd 220 mm	Längd 455 mm	Vikt 20.9 Kg
Omgivningstemperatur vid användning -20°C till +40°C		Förvaringstemperatur -25°C till +55°C	

Kontakta närmaste auktoriserade verkstad, eller Lincoln Electric, för åtgärder när det gäller service och underhåll eller reparationer. Underhåll och reparationer som genomförs av icke auktoriserade verkstäder eller personer upphäver tillverkarens garantiåtagande och gör detta ogiltigt.

WEEE

07/06



Svenska		Släng inte uttjänt elektrisk utrustning tillsammans med annat avfall! Enligt Europadirektiv 2012/19/EC ang. Uttjänt Elektrisk och Elektronisk Utrustning (Waste Electrical and Electronic Equipment, WEEE) och dess implementering enligt nationella lagar, ska elektrisk utrustning som tjänat ut sorteras separat och lämnas till en miljögodkänd återvinningsstation. Som ägare till utrustningen, bör du skaffa information om godkända återvinningsystem från dina lokala myndigheter. Genom att följa detta Europadirektiv bidrar du till att skydda miljö och hälsa!
		



OSTRZEŻENIE

Urządzenie to może być używane tylko przez wykwalifikowany personel. Należy być pewnym, że instalacja, obsługa, przeglądy i naprawy są przeprowadzane tylko przez osoby wykwalifikowane. Instalacji i eksploatacji tego urządzenia można dokonać tylko po dokładnym zapoznaniu się z tą instrukcją obsługi. Nieprzestrzeganie zaleceń zawartych w tej instrukcji może narazić użytkownika na poważne obrażenie ciała, śmierć lub uszkodzenie samego urządzenia. Lincoln Electric nie ponosi odpowiedzialności za uszkodzenia spowodowane niewłaściwą instalacją, niewłaściwą konserwacją lub nienormalną obsługą.

	OSTRZEŻENIE: Symbol ten wskazuje, że bezwzględnie muszą być przestrzegane instrukcje dla uniknięcia poważnego obrażenia ciała, śmierci lub uszkodzenia samego urządzenia. Chroń siebie i innych przed możliwym poważnym obrażeniem ciała lub śmiercią.
	CZYTAJ ZE ZROZUMIENIEM INSTRUKCJĘ: Przed rozpoczęciem użytkowania tego urządzenia przeczytaj niniejszą instrukcję ze zrozumieniem. Łuk spawalniczy może być niebezpieczny. Nieprzestrzeganie instrukcji tutaj zawartych może spowodować poważne obrażenia ciała, śmierć lub uszkodzenie samego urządzenia.
	PORAŻENIE ELEKTRYCZNE MOŻE ZABIĆ: Urządzenie spawalnicze wytwarza wysokie napięcie. Nie dotykać elektrody, uchwytu spawalniczego, lub podłączonego materiału spawanego, gdy urządzenie jest załączone do sieci. Odizolować siebie od elektrody, uchwytu spawalniczego i podłączonego materiału spawanego.
	OPARY I GAZY MOGĄ BYĆ NIEBEZPIECZNE: W procesie spawania mogą powstawać opary i gazy niebezpieczne dla zdrowia. Unikać wdychania tych oparów i gazów. Dla uniknięcia takiego ryzyka musi być zastosowana odpowiednia wentylacja lub wyciąg usuwający opary i gazy ze strefy oddychania.
	PROMIENIE ŁUKU MOGĄ POPARZYĆ: Stosować maskę ochronną z odpowiednim filtrem i osłoną dla zabezpieczenia oczu przed promieniami łuku podczas spawania lub jego nadzoru. Dla ochrony skóry stosować odpowiednią odzież wykonaną z wytrzymałego i niepalnego materiału. Chronić personel postronny, znajdujący się w pobliżu, przy pomocy odpowiednich, niepalnych ekranów lub ostrzeżać ich przed patrzaniem na łuk lub wystawianiem się na jego oddziaływanie.
	ISKRY MOGĄ SPOWODOWAĆ POŻAR LUB WYBUCH: Usuwać wszelkie zagrożenie pożarem z obszaru prowadzenia prac spawalniczych. W pogotowiu powinny być odpowiednie środki gaśnicze. Iskry i rozgrzany materiał pochodzące od procesu spawania łatwo przenikają przez małe szczeliny i otwory do przyległego obszaru. Nie spawać żadnych pojemników, bębnow, zbiorników lub materiału dopóki nie zostaną podjęte odpowiednie kroki zabezpieczające przed pojawieniem się łatwopalnych lub toksycznych gazów. Nigdy nie używać tego urządzenia w obecności łatwopalnych gazów, oparów lub łatwopalnych cieczy.
	URZĄDZENIE ZASILANE ELEKTRYCZNIE: Przed przystąpieniem do jakichkolwiek prac przy tym urządzeniu odłączyć jego zasilanie sieciowe. Urządzenie to powinno być zainstalowane i uziemione zgodnie z zaleceniami producenta i obowiązującymi przepisami.
	URZĄDZENIE ZASILANE ELEKTRYCZNIE: Regularnie sprawdzać kable zasilający i spawalnicze z uchwytem spawalniczym i zaciskiem uziemiającym. Jeżeli zostanie zauważone jakiegokolwiek uszkodzenie izolacji, natychmiast wymienić kabel. Dla uniknięcia ryzyka przypadkowego zapłonu nie kłaść uchwytu spawalniczego bezpośrednio na stół spawalniczy lub na inną powierzchnię mającą kontakt z zaciskiem uziemiającym.
	POLE ELEKTROMAGNETYCZNE MOŻE BYĆ NIEBEZPIECZNE: Prąd elektryczny płynący przez jakikolwiek przewodnik wytwarza wokół niego pole elektromagnetyczne. Pole elektromagnetyczne może zakłócać pracę rozruszników serca i spawacze z wszczepionym rozrusznikiem serca przed podjęciem pracy z tym urządzeniem powinni skonsultować się ze swoim lekarzem.
	BUTLA MOŻE WYBUCHNĄĆ JEŚLI JEST USZKODZONA: Stosować tylko butle atestowane z gazem odpowiedniego rodzaju do stosowanego procesu i poprawnie działającymi regulatorami ciśnienia, przeznaczonymi dla stosowanego gazu i ciśnienia. Zawsze utrzymywać butlę w pionowym położeniu, zabezpieczając ją tańcuchem przed wywróceniem się. Nie przemieszczać i nie transportować butli z gazem ze zdjętym kołpakiem zabezpieczającym. Nigdy nie dotykać elektrody, uchwytu spawalniczego, zacisku uziemiającego lub jakiegokolwiek elementu obwodu przewodzącego prąd do butli z gazem. Butle z gazem muszą być umieszczane z dala od miejsca gdzie mogłyby ulec uszkodzeniu lub gdzie byłyby narażone na działanie iskier lub rozgrzanej powierzchni.
	SPAWANY MATERIAŁ MOŻE POPARZYĆ: Proces spawania wytwarza dużą ilość ciepła. Rozgrzane powierzchnie i materiał w polu pracy mogą spowodować poważne poparzenia. Stosować rękawice i szczypce, gdy dotykamy lub przemieszczamy spawany materiał w polu pracy.

	ZGODNOŚĆ Z CE: Urządzenie to spełnia zalecenia Europejskiego Komitetu CE.
	ZNAK BEZPIECZEŃSTWA: Urządzenie to jest przystosowane do zasilania sieciowego, do prac spawalniczych prowadzonych w środowisku o podwyższonym ryzyku porażenia elektrycznego.

Instrukcja Instalacji i Eksploatacji

Przed instalacją i rozpoczęciem użytkowania tego urządzenia należy przeczytać cały ten rozdział.

Warunki Eksploatacji

Urządzenie to może pracować w ciężkich warunkach. Jednakże ważnym jest zastosowanie prostych środków zapobiegawczych, które zapewnią długą żywotność i niezawodną pracę, między innymi:

- Nie umieszczać i nie użytkować tego urządzenia na powierzchni o pochyłości większej niż 15°.
- Urządzenie to musi być umieszczone w miejscu gdzie występuje swobodna cyrkulacja czystego powietrza bez ograniczeń przepływu powietrza do i od wentylatora. Gdy urządzenie jest załączone do sieci, niczym go nie przykrywać np. papierem lub ścierką.
- Ograniczyć do minimum brud i kurz, które mogą przedostać się do urządzenia.
- Urządzenie to posiada stopień ochrony obudowy IP21. Utrzymywać je suchym o ile to możliwe i nie umieszczać na mokrym podłożu lub w kałuży.
- Urządzenie to powinno być umieszczone z dala od urządzeń sterowanych drogą radiową. Jego normalna praca może niekorzystnie wpłynąć na ułożone w pobliżu urządzenia sterowane radiowo, co może doprowadzić do obrażenia ciała lub uszkodzenia urządzenia. Przeczytaj rozdział o kompatybilności elektromagnetycznej zawarty w tej instrukcji.
- Nie używać tego urządzenia w temperaturach otoczenia wyższych niż 40°C.

Skontrolować połączenie przewodu uziemiającego urządzenie z siecią zasilającą.

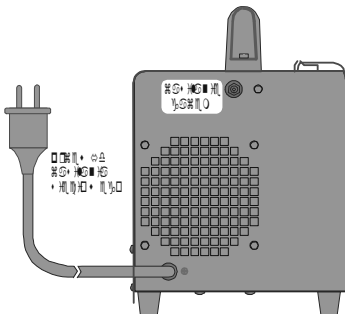
Upewnić się czy sieć zasilająca może pokryć zapotrzebowanie mocy wejściowej dla tego urządzenia w warunkach jego normalnej pracy. Wielkość bezpiecznika i parametry przewodu zasilającego podane są w danych technicznych tego urządzenia.

Podłączenia gazu osłonowego (tylko dla HANDY MIG)

Dla procesu MIG powinno się zapewnić butlę z gazem osłonowym, odpowiednim do spawanego metalu.

1. Przymocować butlę z gazem do ściany lub innego stałego wspornika dla zabezpieczenia jej przed obwodem pracy i uziemieniem.
2. Po bezpiecznym zamontowaniu butli zdjąć kołpak ochronny jej zaworu. Stanąć po drugiej stronie wylotu gazu i na chwilę lekko odkręcić zawór butli. To spowoduje wydmuchanie kurzu i brudu, który może gromadzić się na wyjściu zaworu. Na zaworze butli zamontować reduktor gazu.
3. Wąż doprowadzający gaz podłączyć jednym końcem do wyjścia reduktora, mocując go opaską zaciskową. Drugi koniec węża podłączyć do wejścia gazu, również mocując go opaską zaciskową. Sprawdzić czy wąż gazowy nie jest zawiązany w supeł lub poskręcany.

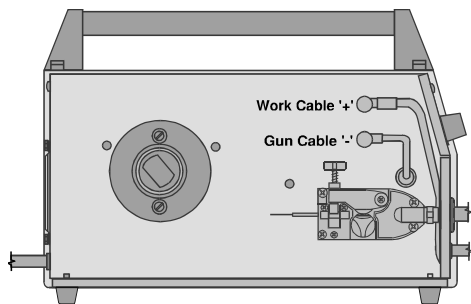
Podłączenie Zasilania Sieciowego



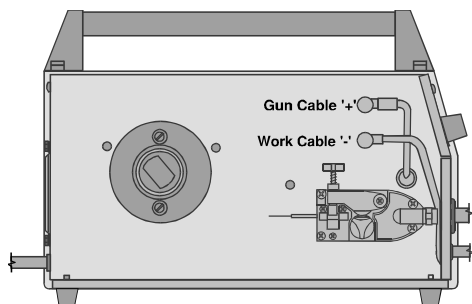
Przed załączeniem tego urządzenia do sieci zasilającej sprawdzić wielkość napięcia sieci. Parametry napięcia zasilającego podane są w rozdziale z danymi technicznymi i na tabliczce znamionowej urządzenia.

Zmiana Polaryzacji (tylko dla HANDY MIG)

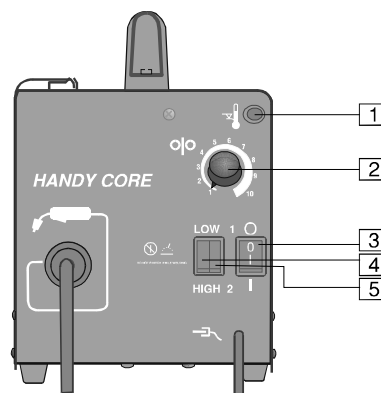
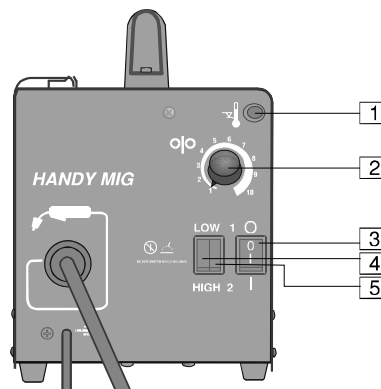
1. Przy spawaniu z ujemną polaryzacją (DC-): Odnosi się do poniższego rysunku. Fabrycznie urządzenie jest skonfigurowane do spawania z ujemną polaryzacją, kabel uchwyty spawalniczego jest podłączony do ujemnego zacisku wyjściowego (-). Jest to typowa konfiguracja dla spawania **drutem proszkowym (FCAW)**. Kompletna instalacja wymaga podłączenia zacisku kabla powrotnego do dodatniego zacisku wyjściowego (+). Należy upewnić się czy zaciski kabli są prawidłowo dociśnięte.



2. Przy spawaniu z dodatnią polaryzacją (DC+): Odnosi się do poniższego rysunku. Dla skonfigurowania do spawania z dodatnią polaryzacją, kabel uchwyty spawalniczego należy podłączyć do dodatniego zacisku wyjściowego (+), a zacisk kabla powrotnego należy podłączyć do ujemnego zacisku wyjściowego (-). Jest to typowa konfiguracja przy spawaniu metodą (MIG). Należy upewnić się czy zaciski kabli są prawidłowo dociśnięte.



Regulatory i Ustawienia



Odnosi się do powyższych rysunków.

1. **Sygnalizator zadziałania zabezpieczenia termicznego** – urządzenie ma 20 % maksymalny cykl pracy. Jeśli cykl pracy urządzenia zostanie przekroczony, układ zabezpieczenia termicznego odłącza wyjście dopóki urządzenie nie osiągnie normalnej temperatury pracy. Układ zabezpieczenia termicznego działa automatycznie i nie wymaga żadnej interwencji obsługującego.

2. **Regulator prędkości podawania drutu** – reguluje prędkość podawania drutu elektrodowego.

3. **Wyłącznik zasilania sieciowego ON/OFF** – Gdy zasilanie sieciowe jest załączone, wyjście spawalnicze i podajnik drutu zostają załączone („gorące”) po naciśnięciu przycisku na uchwycie spawalniczym.

4. **MIN-MAX - Przełącznik zmiany wielkości napięcia wyjściowego** – przełącznik uchylny za pomocą którego możemy zgrubnie ustawić niski lub wysoki poziom napięcia wyjściowego źródła.

5. **1 – 2 Przełącznik dokładnej regulacji napięcia** – pozwala na dokładną regulację napięcia wyjściowego z wybranym niskim lub wysokim zakresem napięcia wyjściowego.

Proces Spawania

Spawanie Metodą MIG

Tabela poniżej pokazuje zalecaną mieszankę gazu do spawanego materiału dla metody spawania MIG ze stosownym drutem elektrodowym.

Materiał	Gaz
Stal węglowa	CO ₂ lub Argon / CO ₂
Stal niskostopowa	CO ₂ lub Argon / CO ₂

Spawanie Drutem Proszkowym (Innershield)

Zalecaną elektrodą dla spawania drutem proszkowym jest drut Lincoln Innershield NR-211-MP o średnicy 0,9 mm na 0,45 kg szpulach.

Zakładanie Drutu Elektrodowego

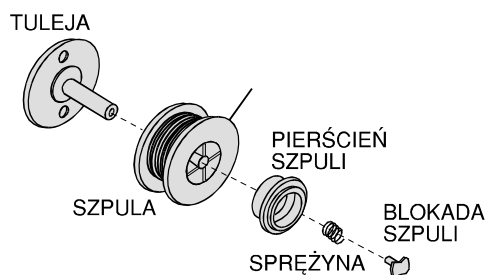
Przed rozpoczęciem zakładania drutu elektrodowego do podajnika drutu należy wyłączyć urządzenie z sieci poprzez ustawienie przełącznika zasilania sieciowego w położeniu "0". Należy sprawdzić czy rolka napędowa podajnika drutu i końcówka kontaktowa uchwytu spawalniczego pasuje do średnicy zastosowanego drutu elektrodowego.

1. Nałożyć szpulę z drutem na trzpień, tak żeby przewód wystawał od dołu, w kierunku rolki napędowej.

2. Nałożyć pierścień szpuli na trzpień dla zablokowania szpuli. Dla uzyskania prawidłowego momentu hamowania, o ile to konieczne, należy obrócić pierścień szpuli.

3. Nałożyć sprężynę na pierścień, następnie docisnąć ją za pomocą blokady szpuli. Dla zablokowania zespołu szpuli na trzpieniu należy nakrętkę blokady szpuli wkręcać w kierunku zgodnym z ruchem wskazówek zegara.

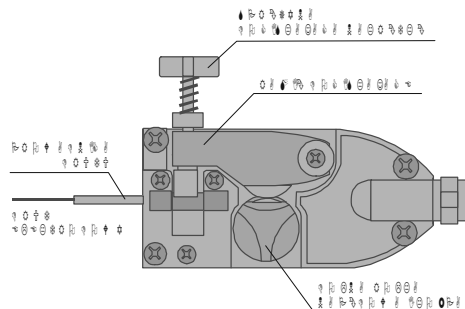
4. W podajniku drutu zwolnić sprężynę dociskającą nakrętkę i unieść ramię dociskające. Upewnić się czy



średnica wygrawerowana na widocznej stronie rolki napędowej odpowiada średnicy zastosowanego drutu.

5. Ostrożnie odwinąć koniec drutu ze szpuli utrzymując go naprężonym. Dla zapobieżenia rozwinięcia się drutu ze szpuli zwalniać go dopiero po kroku 8.

Podajnik Drutu Elektrodowego



6. Obciąć zagięty koniec drutu i wyprostować go na długość 100 mm.

7. Wprowadzić drut do prowadnicy drutu nad rolką napędową, a następnie do prowadnicy drutu uchwytu spawalniczego.

8. Zamknąć ramię dociskające rolkę. Upewnić się, że drut leży w rowku dolnej rolki napędowej podajnika.

9. Sprężyna dociskająca nakrętkę na ramieniu dociskającym rolkę może być używana jako hamulec do regulacji docisku drutu. Docisk regulować przez dokręcanie nakrętki, ażeby zapobiec rozwinięciu się drutu, jednocześnie zapewniając płynne i łatwe podawanie drutu. Regulację należy rozpocząć od wartości pośredniej. Jeśli jest to konieczne, regulację należy powtórzyć. Lekkie zmniejszenie docisku może być konieczne przy zastosowaniu drutu elektrodowego o średnicy 0,6 mm. Jeśli podczas podawania drutu rolka napędowa się ślizga, powinno się zwiększyć docisk tak, żeby uzyskać prawidłowe podawanie drutu.

10. Usunąć dyszę i końcówkę kontaktową z uchwytu.

11. Załączyć zasilanie urządzenia („I”)

12. Wyprostować przewód uchwytu spawalniczego.

13. Nacisnąć przycisk na uchwycie spawalniczym i wyprowadzić drut przez uchwyt. Odsunąć uchwyt od siebie i innych ludzi podczas podawania drutu. Zwolnić przycisk na uchwycie po tym jak drut elektrodowy pojawi się na końcu uchwytu.

14. Wyłączyć zasilanie urządzenia.

15. Wkręcić końcówkę kontaktową. Obciąć koniec przewodu tak żeby jego koniec o długości od 10 do 15 mm wystawał z końcówki kontaktowej. Wkręcić dyszę.

16. Załączyć zasilanie urządzenia. Urządzenie jest teraz gotowe do pracy.

Gaz Osłonowy (tylko dla HANDY MIG)

Gdy stosuje się proces spawania typu MIG, powinno się stosować butlę z dwutlenkiem węgla (CO₂) lub mieszanek argonu z dwutlenkiem węgla.

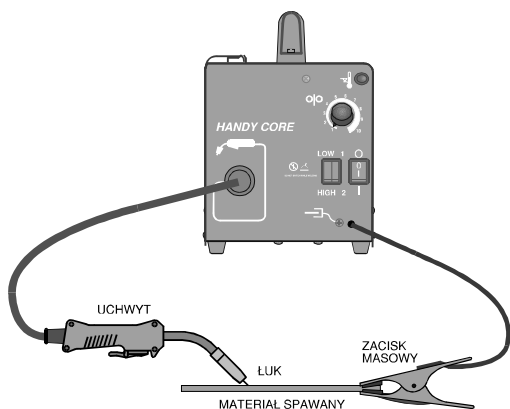
Na butli powinien być zamontowany reduktor gazu.

1. Delikatnie otworzyć zawór butli o ułamek obrotu. Gdy wskaźnik ciśnienia przestanie drgać, otworzyć zawór butli całkowicie.

2. Zawór butli powinien być zawsze zamknięty za wyjątkiem czasu spawania. Po zakończeniu procesu spawania należy:

- zamknąć zawór butli ażeby zatrzymać wypływ gazu
- na krótko zwolnić przycisk uchwyty dla znielowania ciśnienia w wężu gazowym
- wyłączyć zasilanie sieciowe urządzenia

Proces Spawania



1. Dobrać właściwy proces spawania do typu materiału, który ma być spawany; środowiska w którym proces jest przeprowadzany i dożądanego wyglądu spoiny.

2. Dokonać wyboru i założyć drut elektrodowy odpowiedni do stosowanego procesu. Stosować druty Lincolna. Jakość drutu istotnie wpływa na jakość

prowadzonego procesu spawania.

3. Zainstalować rolkę napędową, końcówkę kontaktową i dyszę właściwą dla wybranego procesu spawania.

4. Sprawdzić czy polaryzacja jest właściwa dla drutu elektrodowego i czy dopływ gazu, o ile jest wymagany, jest załączony.

5. W odniesieniu do powyższego rysunku. Podłączyć zacisk uziemiający do spawanego materiału. Zacisk uziemiający musi mieć zapewniony dobry kontakt elektryczny. Materiał spawany musi być również uziemiony zgodnie z wymogami bezpieczeństwa podanymi w tej instrukcji.

6. Ustawić właściwą prędkość podawania drutu i napięcie spawania w odniesieniu do typu porcesu i grubości materiału spawanego.

7. Biorąc pod uwagę typ spoiny i jej położenie ustawić uchwyt pod odpowiednim kątem.

8. Przed rozpoczęciem procesu spawania podnieść maskę ochronną do oczu i nacisnąć przycisk na uchwycie.

9. Podczas spawania przesuwaj uchwyt ze stałą prędkością i utrzymuj wysunięty koniec elektrody na 9 milimetrów. Utrzymuj kierunek przesuwu właściwy dla typu procesu, typu spoiny i jej położenia.

10. Dla zatrzymania procesu zwolnić przycisk na uchwycie.

11. Gdy proces spawania zostanie zakończony zamknąć zawór butli z gazem (jeżeli gaz jest używany), chwilowo naciskać przycisk uchwyty dla zlikwidowania ciśnienia w wężu gazowym i wyłączyć urządzenie z sieci.

Czyszczenie Końcówki i Dyszy Gazu

Dla uniknięcia przeskoku łuku pomiędzy dyszą gazową i końcówką kontaktową powinny być regularnie czyszczone. Przeskok łuku może być spowodowany zwarcie dyszy, napyleniem lub przegrzaniem uchwytu. Antyprzylepny spray lub żel dostępny u dystrybutora sprzętu spawalniczego może pomóc w usuwaniu odprysków.

Kompatybilność Elektromagnetyczna (EMC)

Urządzenie to zostało zaprojektowane zgodnie ze wszystkimi odnośnymi zaleceniami i normami. Jednakże może ono wytwarzać zakłócenia elektromagnetyczne, które mogą oddziaływać na inne systemy takie jak systemy telekomunikacyjne (telefon, odbiornik radiowy lub telewizyjny) lub systemy zabezpieczeń. Zakłócenia te mogą powodować problemy z zachowaniem wymogów bezpieczeństwa w odnośnych systemach. Dla wyeliminowania lub zmniejszenia wpływu zakłóceń elektromagnetycznych wytwarzanych przez to urządzenie należy dokładnie zapoznać się zaleceniami tego rozdziału.



Urządzenie to zostało zaprojektowane do pracy w obszarze przemysłowym. Ażeby używać go w gospodarstwie domowym niezbędne jest przestrzeganie specjalnych zabezpieczeń koniecznych do wyeliminowania możliwych zakłóceń elektromagnetycznych. Urządzenie to musi być zainstalowane i obsługiwane tak jak to opisano w tej instrukcji. Jeżeli stwierdzi się wystąpienie jakiegokolwiek zakłóceń elektromagnetycznych obsługujący musi podjąć odpowiednie działania celem ich eliminacji i w razie potrzeby skorzystać z pomocy Lincolna Electric. Nie dokonywać żadnych zmian tego urządzenia bez pisemnej zgody Lincolna Electric.

Przed zainstalowaniem tego urządzenia, obsługujący musi sprawdzić miejsce pracy czy nie znajdują się tam jakieś urządzenia, które mogłyby działać niepoprawnie z powodu zakłóceń elektromagnetycznych. Należy wziąć pod uwagę:

- Kable wejściowe i wyjściowe, przewody sterujące i przewody telefoniczne, które znajdują się w, lub поблизу miejsca pracy i urządzenia.
- Nadajniki i odbiorniki radiowe lub telewizyjne. Komputery lub urządzenia komputerowo sterowane.
- Urządzenia systemów bezpieczeństwa i sterujące stosowanych w przemyśle. Sprzęt służący do pomiarów i kalibracji.
- Osobiste urządzenia medyczne takie jak rozruszniki serca czy urządzenia wspomagające słuch.
- Sprawdzić odporność elektromagnetyczną sprzętu pracującego w, lub w miejscu pracy. Obsługujący musi być pewien, że cały sprzęt w obszarze pracy jest kompatybilny. Może to wymagać dodatkowych pomiarów.
- Wymiary miejsca pracy, które należy brać pod uwagę będą zależały od konfiguracji miejsca pracy i innych czynników, które mogą mieć miejsce.

Ażeby zmniejszyć emisję promieniowania elektromagnetycznego urządzenia należy wziąć pod uwagę następujące wskazówki:

- Podłączyć urządzenie do sieci zasilającej zgodnie ze wskazówkami tej instrukcji. Jeśli mimo to pojawiają się zakłócenia, może zaistnieć potrzeba przedsięwzięcia dodatkowych zabezpieczeń takich np. jak filtrowanie napięcia zasilania.
- Kable wyjściowe powinny być możliwie krótkie i ułożonym razem, jak najbliżej siebie.
- Dla zmniejszenia promieniowania elektromagnetycznego, jeśli to możliwe należy uziemiać miejsce pracy. Obsługujący musi sprawdzić czy połączenie miejsca pracy z ziemią nie powoduje żadnych problemów lub nie pogarsza warunków bezpieczeństwa dla obsługi i urządzenia.
- Ekranowanie kabli w miejscu pracy może zmniejszyć promieniowanie elektromagnetyczne. Dla pewnych zastosowań może to okazać się niezbędne.

UWAGA

Urządzenie klasy A nie jest przeznaczone do pracy w gospodarstwach domowych, w których zasilanie jest dostarczane przez publiczną sieć niskiego napięcia. W takich miejscach mogą wystąpić potencjalne trudności w zapewnieniu kompatybilności elektromagnetycznej.



Dane Techniczne

PARAMETRY WEJŚCIOWE			
Napięcie zasilania 230 V ± 10% 1-fazowe	Pobór mocy z sieci 2,5 kW dla 20% Cyklu Pracy	Częstotliwość 50 Hz	
ZNAMIONOWE PARAMETRY WYJŚCIOWE PRZY 40°C			
Cykl pracy (Oparty na 10 min okresie) 20%	Prąd wyjściowy 70 A	Napięcie wyjściowe 17,5 Vdc	
ZAKRES PARAMETRÓW WYJŚCIOWYCH			
Zakres prądu spawania 45- 80 A		Maksymalne napięcie stanu jałowego 29 Vdc	
ZALECANE PARAMETRY PRZEWODU I BEZPIECZNIKA ZASILANIA			
Bezpiecznik lub wyłącznik nadprądowy 16 A zwłoczny	Typ wtyku SCHUKO 16A/250V (dostarczany z urządzeniem)	Przewód zasilający 3 żyłowy, 1,5 mm ²	
WYMIARY			
Wysokość 345 mm	Szerokość 220 mm	Długość 455 mm	Ciężar 20,9 Kg
Temperatura pracy -20°C to +40°C		Temperatura składowania -25°C to +55°C	

W sprawach obsługi serwisowej i napraw zaleca się kontaktować z najbliższym centrum technicznym Lincoln Electric. Obsługa serwisowa i naprawy przeprowadzane przez nieautoryzowane centra serwisowe powodują utratę uprawnień z tytułu gwarancji.

WEEE

Polski



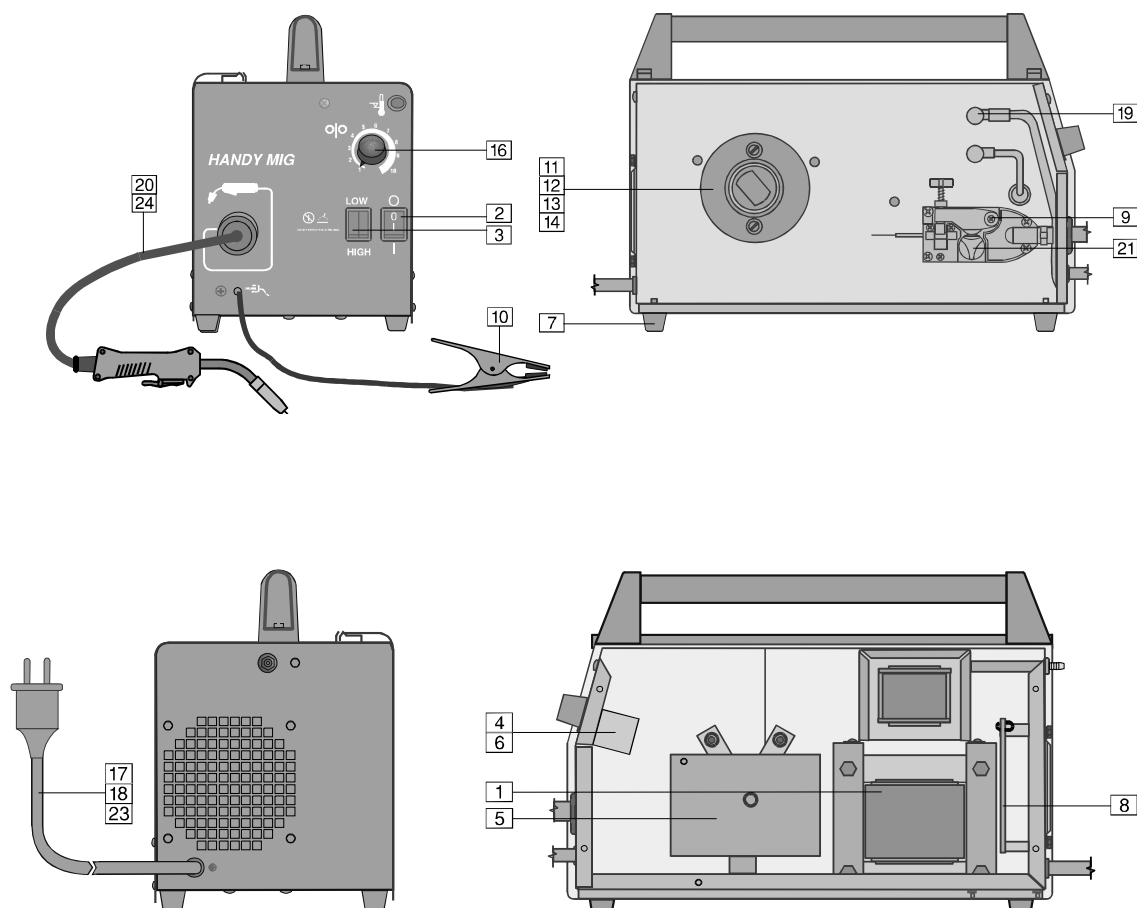
Nie wyrzucać osprzętu elektrycznego razem z normalnymi odpadami!

Zgodnie z Dyrektywą Europejską 2012/19/EC dotyczącą Pozbywania się zużytego Sprzętu Elektrycznego i Elektronicznego (Waste Electrical and Electronic Equipment, WEEE) i jej wprowadzeniem w życie zgodnie z międzynarodowym prawem, zużyty sprzęt elektryczny musi być składowany oddzielnie i specjalnie utylizowany. Jako właściciel urządzeń powinniście otrzymać informacje o zatwierdzonym systemie składowania od naszego lokalnego przedstawiciela.

Stosując te wytyczne bedziesz chronił środowisko i zdrowie człowieka!

07/06

Spare Parts, Parti di Ricambio, Ersatzteile, Lista de Piezas de Recambio, Pièces de Rechange, Deleliste, Reserve Onderdelen, Reservdelar, Wykaz Części Zamiennych



Spare Parts for HANDY MIG (K14000-1 Code: 50000 and K14000-2 Code: 50006) and for HANDY CORE (K14001-1 Code: 50001) for HAND CORE (K14001-2 Code: 50008)

(* = Item not shown in diagram)

Item	Part Number	Description	QTY
		COMON SPARE PARTS FOR ALL TYPES	
1	D-4639-045-1	POWER SET	1
2	W4.1.8	MAIN SWITCH	1
3	W2.1.3	HEAT RANGE SWITCH	1
4	LS-07.01	CONTACTOR	1
5	PMS 28	RECTIFIER SET	1
6	C-3731-397-1	CONTROL P.C. BOARD US-66	1
7	D-2856-005-1	FOOT	4
8	DP-200A-2123 XST	FAN	1
9	M.99	FEEDING UNIT	1
10	C-5578-026-6	WELDING CABLE WITH CLAMP	1
11	B-2781-007-1	SPINDLE	1
12	C-2781-023-1	SPOOL SPACER	1
13	D-2781-029-1	SPOOL LOCK	1

14	D-2569-017-1	SPRING	1
15			
16	Fi 23	WIRE FEED SPEED KNOB	1
17	D-5578-165-1	POWER INPUT CABLE	1
		SPARE PARTS ONLY FOR HANDY MIG	
18	D-5578-164-1	POWER INPUT CABLE for K14000-2	1
19	D-2846-026-1	POLARITY THUMBSCREW	2
20	RV13/1 2,5 m	TORCH	1
21	V0.6/VK0.9	ROLL	1
		SPARE PARTS ONLY FOR HANDY CORE	
23	D-5578-164-1	POWER INPUT CABLE for K14001-2	1
24	RC13 2,5 m	TORCH	1
25	VK0.9/VK 0.9	ROLL	1

Parti di Ricambio

(* = parte non mostrata nel disegno)

Rif	N. parte	Descrizione	QTY
		PARTI DI RICAMBIO COMUNI A TUTTI I TIPI	
1	D-4639-045-1	GRUPPO DI ALIMENTAZIONE	1
2	W4.1.8	INTERRUTTORE GENERALE	1
3	W2.1.3	COMMUTATORE GAMMA APPORTO TERMICO	1
4	LS-07.01	CONTATTORE	1
5	PMS 28	GRUPPO RADDRIZZATORE	1
6	C-3731-397-1	SCHEDA ELETTRONICA DI CONTROLLO US -66	1
7	D-2856-005-1	PIEDINO	4
8	DP-200A-2123 XST	VENTILATORE	1
9	M.99	GRUPPO TRAINAFILO	1
10	C-5578-026-6	CAVO TORCIA CON MORSETTO	1
11	B-2781-007-1	ALBERO	1
12	C-2781-023-1	DISTANZIATORE BOBINA	1
13	D-2781-029-1	BLOCCA BOBINA	1
14	D-2569-017-1	MOLLA	1
15			
16	Fi 23	MANOPOLA CONTROLLO VELOCITA' FILO	1
17	D-5578-165-1	CAVO DI ALIMENTAZIONE	1
		PARTI DI RICAMBIO PER IL SOLO HANDY MIG	
18	D-5578-164-1	CAVO DI ALIMENTAZIONE PER K14000-2	1
19	D-2846-026-1	VITE DELLA POLARITA'	2
20	RV13/1 2,5 m	TORCIA	1
21	V0.6/VK0.9	RULLO	1
		PARTI DI RICAMBIO PER IL SOLO HANDY CORE	
23	D-5578-164-1	CAVO DI ALIMENTAZIONE PER K14001-2	1
24	RC13 2,5 m	TORCIA	1
25	VK0.9/VK 0.9	RULLO	

Ersatzteile

(* = Ohne Abbildung)

Pos.	Ersatzteil-Nr.:	Bezeichnung	Anz.
		Ersatzteile, die bei allen Gerätetypen einheitlich sind:	
1	D-4639-045-1	Transformatoreinheit	1
2	W4.1.8	Hauptschalter	1
3	W2.1.3	Stufenschalter	1
4	LS-07.01	Schweißstromschütz	1
5	PMS 28	Gleichrichtereinheit	1
6	C-3731-397-1	Control P.C. BOARD US-66	1
7	D-2856-005-1	Gerätefuß	4
8	DP-200A-2123 XST	Lüfter	1
9	M.99	Drahtvorschubeinheit	1
10	C-5578-026-6	Masseleitung mit Werkstückklemme	1
11	B-2781-007-1	Aufnahmedorn für Drahtspule	1
12	C-2781-023-1	Distanzring für Drahtspule	1
13	D-2781-029-1	Drahtspulenverriegelung	1

14	D-2569-017-1	Druckfeder	1
15			
16	Fi 23	Drehknopf zur Regulierung der Drahtvorschubgeschwindigkeit	1
17	D-5578-165-1	Netzeingangskabel	1
		Ersatzteile nur für das Modell Handy MIG	
18	D-5578-164-1	Netzeingangskabel für K14000-2	1
19	D-2846-026-1	Flügelmutter	2
20	RV13/1 2,5 m	Brenner	1
21	V0.6/VK0.9	Antriebsrolle	1
		Ersatzteile nur für das Modell Handy Core	
22	D-5578-164-1	Netzeingangskabel für K14001-2	1
23	RC13 2,5 m	Brenner	1
24	VK0.9/VK 0.9	Antriebsrolle	1

Lista de Piezas de Recambio

(* = Item no indicado en diagrama)

Item	Referencia	Descripción	Unidad
		PARTES COMUNES PARA TODOS LOS MODELOS	
1	D-4639-045-1	Kit Transformador de potencia	1
2	W4.1.8	Interruptor principal	1
3	W2.1.3	Conmutadores de Potencia	1
4	LS-07.01	Contactador	1
5	PMS 28	Rectificador de potencia	1
6	C-3731-397-1	Placa de control US-66	1
7	D-2856-005-1	Pie	4
8	DP-200A-2123 XST	Ventilador	1
9	M.99	Conjunto de arrastre	1
10	C-5578-026-6	Cable de masa	1
11	B-2781-007-1	Eje carrete	1
12	C-2781-023-1	Separador bobina	1
13	D-2781-029-1	Tornillo Apriete bobina	1
14	D-2569-017-1	Muelle Presión	1
15			
16	Fi 23	Botón potenciómetro velocidad hilo	1
17	D-5578-165-1	Cable red	1
		RECAMBIOS SÓLO PARA HANDY MIG	
18	D-5578-164-1	Cable red corriente K14000-2	1
19	D-2846-026-1	Cambio polaridad con Tornillo palometa de apriete	2
20	RV13/1 2,5 m	Pistola de soldadura MIG	1
21	V0.6/VK0.9	Rodillo de arrastre 0,6-0,9	1
		RECAMBIOS SÓLO PARA HANDY CORE	
23	D-5578-164-1	Cable red corriente K14001-2	1
24	RC13 2,5 m	Pistola de soldadura Innershield	1
25	VK0.9/VK0.9	Rodillo de arrastre 0.9-0,9	

Pièces de Rechange

(* = non visible sur la vue éclatée)

Repère	Référence	Description	QTE
		PIECES COMMUNES POUR TOUTES LES MACHINES	
1	D-4639-045-1	GROUPE PUISSANCE	1
2	W4.1.8	INTERRUPTEUR PRINCIPAL	1
3	W2.1.3	INTERRUPTEUR REGLAGE TENSION	1
4	LS-07.01	CONTACTEUR	1
5	PMS 28	GROUPE PONT REDRESSEUR	1
6	C-3731-397-1	PLATINE DE CONTRÔLE US-66	1
7	D-2856-005-1	PIEDS	4
8	DP-200A-2123 XST	VENTILATEUR	1
9	M.99	GROUPE DE DEVIDAGE	1
10	C-5578-026-6	CABLE DE MASSE AVEC PINCE	1
11	B-2781-007-1	AXE	1
12	C-2781-023-1	CALE BOBINE	1

13	D-2781-029-1	VERROU BOBINE	1
14	D-2569-017-1	RESSORT	1
15			
16	Fi 23	POTENTIOMETRE REGLAGE VITESSE FIL	1
17	D-5578-165-1	CABLE D'ALIMENTATION	1
		PIECES DETACHEES POUR HANDY MIG	
18	D-5578-164-1	CABLE D'ALIMENTATION pour K14000-2	1
19	D-2846-026-1	VIS PAPILLON VIS DE POLARITE	2
20	RV13/1 2,5 m	TORCHE MIG	1
21	V0.6/VK0.9	GALET	1
		PIECES DETACHEES POUR HANDY CORE	
22	D-5578-164-1	CABLE D'ALIMENTATION pour K14001-2	1
23	RC13 2,5 m	TORCHE INNERSHIELD	1
24	VK0.9/VK 0.9	GALET	1

Reserve Onderdelen

(* = Item is in de tekening niet weergegeven)

Item	Onderdeel nummer	Omschrijving	QTY
		Standaard onderdelen voor alle typen	
1	D-4639-045-1	Transformatorset	1
2	W4.1.8	Primaire schakelaar	1
3	W2.1.3	Thermische beveiliging	1
4	LS-07.01	Magneetschakelaar	1
5	PMS 28	Gelijkrichter	1
6	C-3731-397-1	Besturingsprint	1
7	D-2856-005-1	Pootje	4
8	DP-200A-2123 XST	Ventilator	1
9	M.99	Draadaanvoerunit	1
10	C-5578-026-6	Werkstuk kabel met klem	1
11	B-2781-007-1	Spindel	1
12	C-2781-023-1	Afstandbus draadhaspel	1
13	D-2781-029-1	Sluiting draadhaspel	1
14	D-2569-017-1	Veer	1
15			
16	Fi 23	Knop draadsnelheidsregelaar	1
17	D-5578-165-1	Primaire kabel	1
		Onderdelen voor Handy Mig	
18	D-5578-164-1	Primaire kabel voor K14000-2	1
19	D-2846-026-1	Duimschroef polariteit	2
20	RV13/1 2,5 m	Toorts	1
21	V0.6/VK0.9	Draadaanvoerrol	1
		Onderdelen voor HANDY CORE	
22	D-5578-164-1	Primaire kabel voor K14001-2	1
23	RC13 2,5 m	Toorts	1
24	VK0.9/VK0.9	Draadaanvoerrol	1

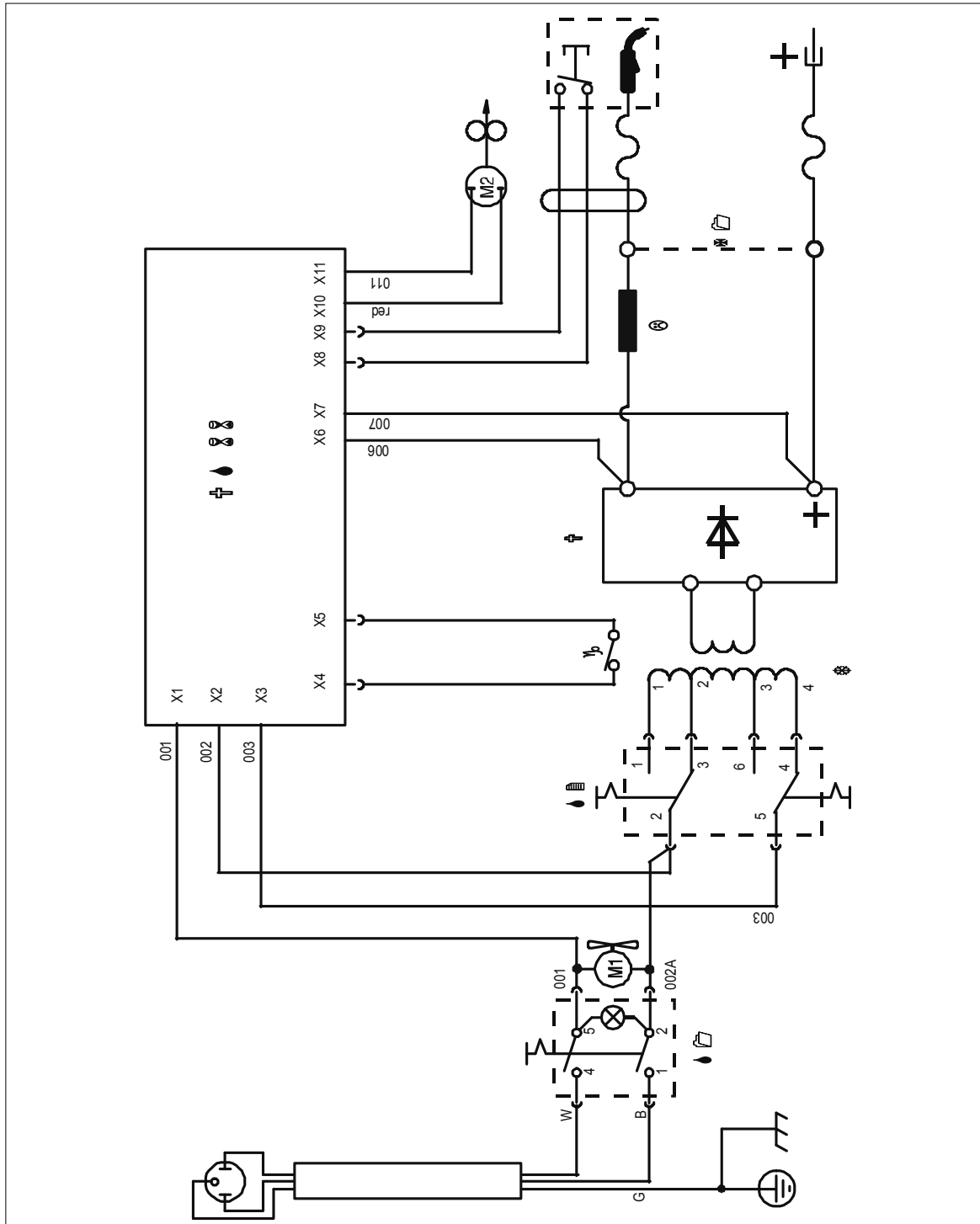
Wykaz części zamiennych

(* = Części niewidoczne na zdjęciach.)

Poz.	Opis	Numer części	
		CZĘŚCI WSPÓLNE	
1	D-4639-045-1	ZESTAW MOCY	1
2	W4.1.8	WYŁĄCZNIK GŁÓWNY	1
3	W2.1.3	PRZEŁĄCZNIK	1
4	LS-07.01	STYCZNIK	1
5	PMS 28	ZESTAW PROSTOWNICZY	1
6	C-3731-397-1	UKŁAD STEROWANIA US-66	1
7	D-2856-005-1	NÓŻKA	4
8	DP-200A-2123 XST	WENTYLATOR	1
9	M.99	PODAJNIK DRUTU	1
10	C-5578-026-6	PRZEWÓD PRĄDOWY POWROTNY	1
11	B-2781-007-1	TULEJA	1

12	C-2781-023-1	PIERŚCIEŃ SZPULI	1
13	D-2781-029-1	BLOKADA SZPULI	1
14	D-2569-017-1	SPRĘŻYNA	1
15			
16	Fi 23	POKRĘTŁO REGULACJI PRĘDKOŚCI PODAWANIA	1
17	D-5578-165-1	PRZEWÓD SIECIOWY	1
		CZĘŚCI ZAMIENNE TYLKO DO HANDY MIG	
18	D-5578-164-1	PRZEWÓD SIECIOWY DO K14000-2	1
19	D-2846-026-1	ZACISK POLARYZACJI	2
20	RV13/1 2,5 m	UCHWYT SPAWALNICZY	1
21	V0,6/VK0,9	ROLKA NAPĘDOWA	1
		CZĘŚCI ZAMIENNE TYLKO DO HANDY CORE	
22	D-5578-164-1	PRZEWÓD SIECIOWY DO K14001-2	1
23	RC13 2,5 m	UCHWYT SPAWALNICZY	1
24	VK0,9/VK0,9	ROLKA NAPĘDOWA	1

Electrical Schematic, Schema Elettrico, Elektrische Schaltpläne, Esquema Eléctrico, Schéma Electrique, Elektrisk Skjema, Elektrisch Schema, Elektriskt Kopplingschema, Schemat Elektryczny



Accessories, Accessori, Zubehör, Accesorios, Accessoires, Tilleggsutstyr, Accesorios, Tillbehör, Wyposażenie

1361-410-005	Gas Hose only for Handy Mig 2,5m
0742-200-939	GaS Nozzle only for Handy Mig
0742-200-936	Flux Nozzle (Gasless)
0742-200-938	Contact Tip 0.6 mm only for Handy Mig
0742-200-937	Contact Tip 0.9 mm
2886-162-011	Chipping Hammer/Brush
0657-229-003	Hand Shield
0744-180-047	Filter Lens
0744-180-046	Clear Cover Lens
C-4941-715-1	Innershield Cored Wire 0.9
C-4941-727-1	Steel Wire 0.6 only for Handy Mig