

# POWERTEC i380C & i450C ADVANCED

---

Spare Parts .....	1
Figure A, B: POWERTEC i380C & i450C ADVANCED Machine Assembly .....	2
Figure C, D: POWERTEC i380C & i450C ADVANCED Inside Machine Assembly .....	5
Figure E: Powertec i380C & i450C ADVANCED Wire Drive Assembly .....	6
Figure F: Powertec i380C & i450C ADVANCED Front Assembly .....	7
Miscellaneous Items (not shown in figure A, B, C, D, E, F) .....	7
Electrical Schematic .....	8
CODE: 50442 .....	8
CODE: 50443 .....	9



# Spare Parts

SP50442, SP50443 REV03  
10/2019

ASSEMBLY PAGE NAME			Machine Assembly	Machine Assembly	Inside Machine Assembly	Inside Machine Assembly	Wire Drive Assembly	Front Assembly	Miscellaneous Items
CODE NO.:	K NO.:	FIGURE NO.:	A	B	C	D	E	F	
50442	K14180-1	POWERTEC i380C ADVANCED	1	-	1	-	1	1	1
50443	K14181-1	POWERTEC i450C ADVANCED	-	2	-	2	2	2	2

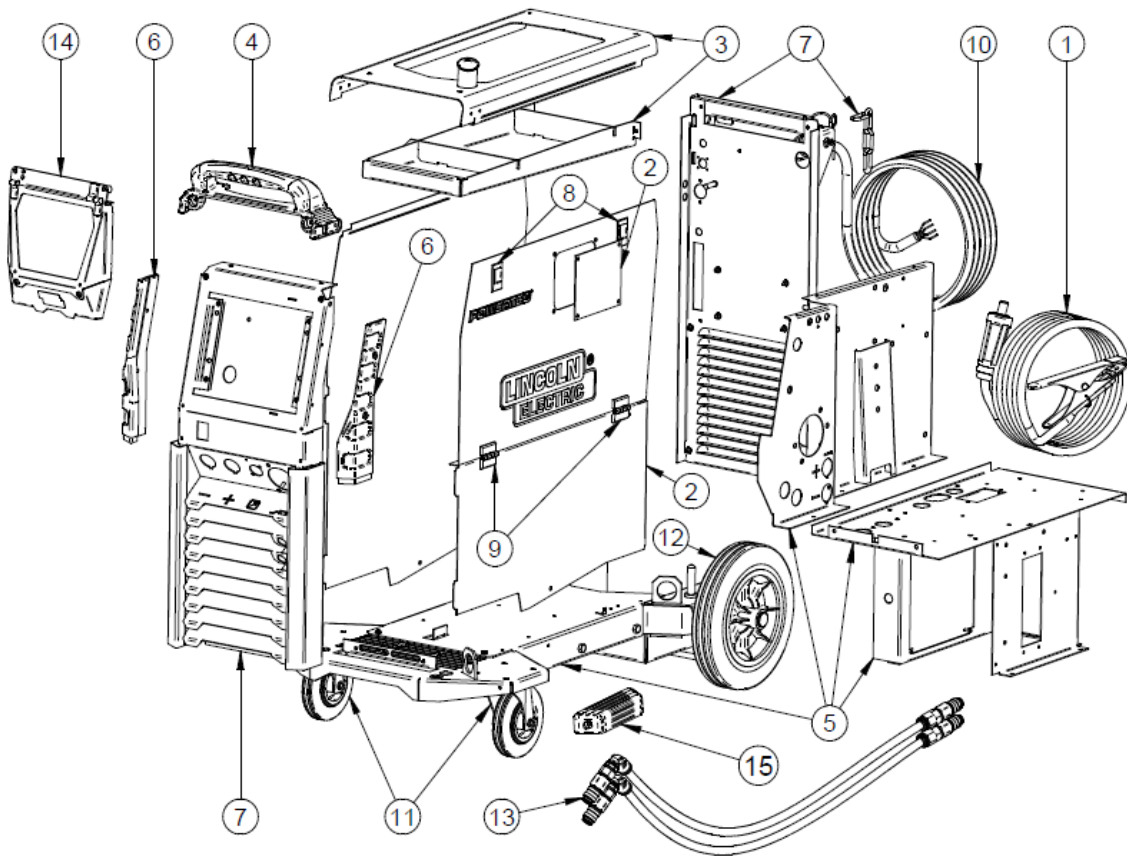


Figure A

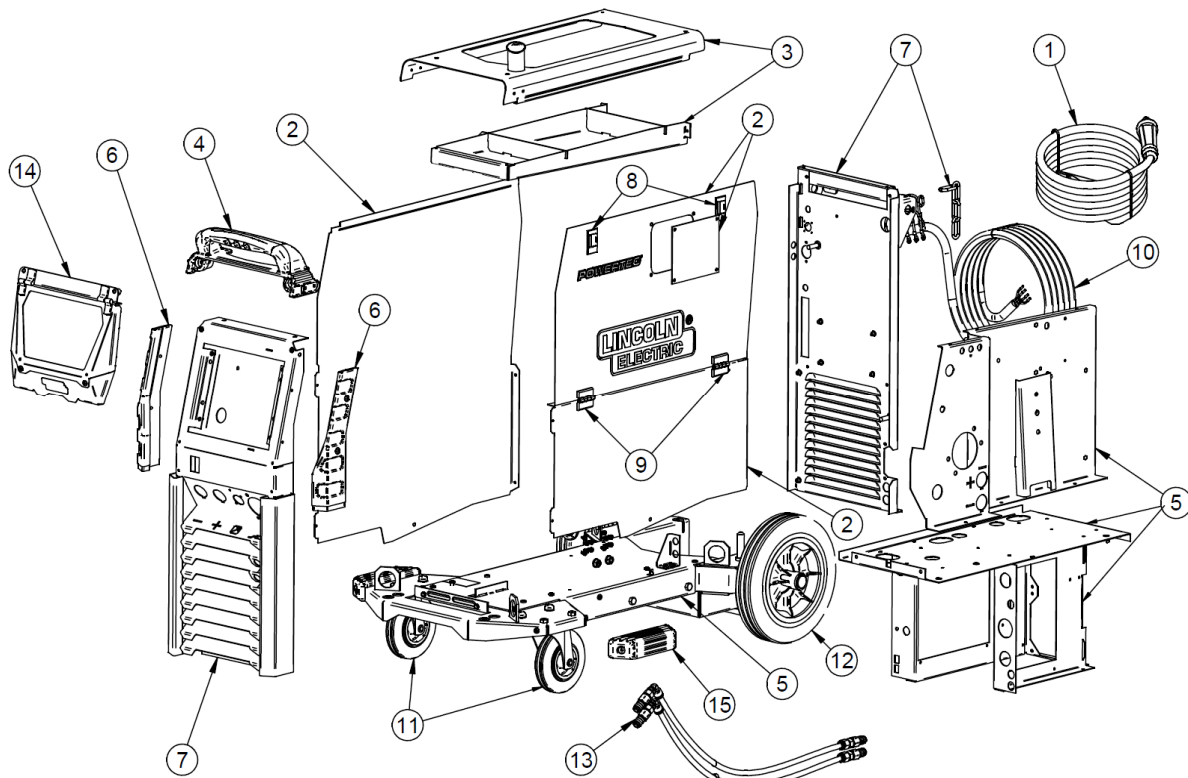


Figure B

Figure A, B: POWERTEC i380C & i450C ADVANCED Machine Assembly

Item	Description	Part Number	QTY	1	2	3	4	5	6	7
1	WELDING CABLE	GRD-300A-50-5M	1	X						
	WELDING CABLE	GRD-400A-70-5M	1		X					
2	SIDE PANEL KIT includes:	T-8040-004-1R	1	X	X					
	LEFT SIDE PANEL		1	X	X					
	UPPER SIDE PANEL		1	X	X					
	BOTTOM SIDE PANEL		1	X	X					
	PLATE		1	X	X					
	LABEL - ROLLS COLOURS		1	X	X					
3	COVER KIT includes:	T-8040-005-1R	1	X	X					
	COVER		1	X	X					
	SHELF		1	X	X					
	WARNING LABEL		1	X	X					
4	HANDLE	R-0010-292-1R	1	X	X					
5	BASE, PARTITION, SHELF KIT includes:	T-8040-007-1R	1	X						
	BASE ASSEMBLY		1	X						
	PARTITION ASSEMBLY		1	X						
	USB LABEL		1	X						
	WARNING LABEL		1	X						
	SHELF		1	X						
	FUSE LABEL		1	X						
	BRACKET		1	X						

5	BASE, PARTITION, SHELF KIT includes:	T-8040-024-1R	1		X					
	BASE ASSEMBLY		1		X					
	PARTITION ASSEMBLY		1		X					
	USB LABEL		1		X					
	WARNING LABEL		1		X					
	SHELF		1		X					
	FUSE LABEL		1		X					
	BRACKETS		1		X					
6	SIDE COVER KIT:	R-0010-623-1R	1	X	X					
	LEFT COVER		1	X	X					
	RIGHT COVER		1	X	X					
7	FRONT AND REAR PANEL KIT:	T-8040-008-1R	1	X	X					
	FRONT PANEL ASSEMBLY		1	X	X					
	REAR PANEL ASSEMBLY		1	X	X					
	IN LABEL		1	X	X					
	OUT LABEL		1	X	X					
	IN/OUT LABEL		1	X	X					
	GAS LABEL		1	X	X					
	CHAIN		1	X	X					
8	LOCK	0654-610-004R	2	X	X					
9	LEAF HINGE	0654-610-007R	2	X	X					
10	MAIN INPUT CORD	R-5041-497-1R	1	X						
	MAIN INPUT CORD	R-5041-497-2R	1		X					
11	WHEELS	1029-660-127R	2	X	X					
12	WHEELS	1029-660-250R	2	X	X					
13	WATER CONNECTION KIT:	T-8040-006-1R	1	X						
	COOLING HOSES		1	X						
	COUPLING RECTUS		4	X						
	THREAD ADAPTER		4	X						
	ORIENTING ELBOW MALE ADAPTOR		2	X						
	STRAIGHT MALE ADAPTOR		2	X						
	WATER CONNECTION KIT:	T-8040-025-1R	1		X					
	COOLING HOSES		1		X					
	COUPLING RECTUS		4		X					
	THREAD ADAPTER		4		X					
	ORIENTING ELBOW MALE ADAPTOR		2		X					
	STRAIGHT MALE ADAPTOR		2		X					
14	CONTROL PANEL COVER	K14174-1	1	X	X					
15	BUMPERS	K14177-1	1	X	X					

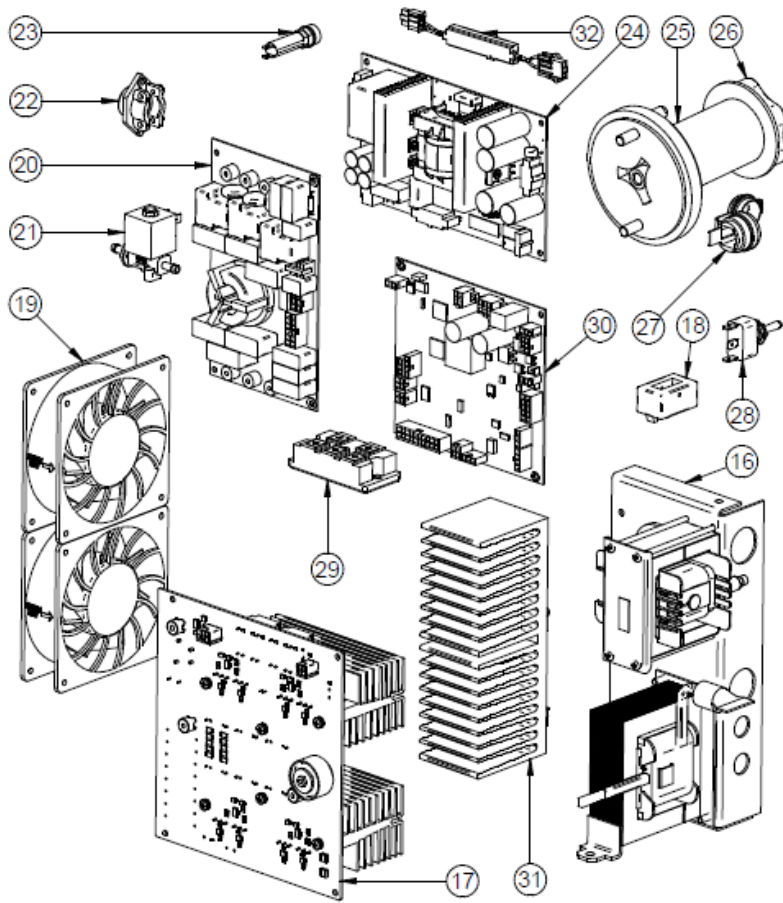


Figure C

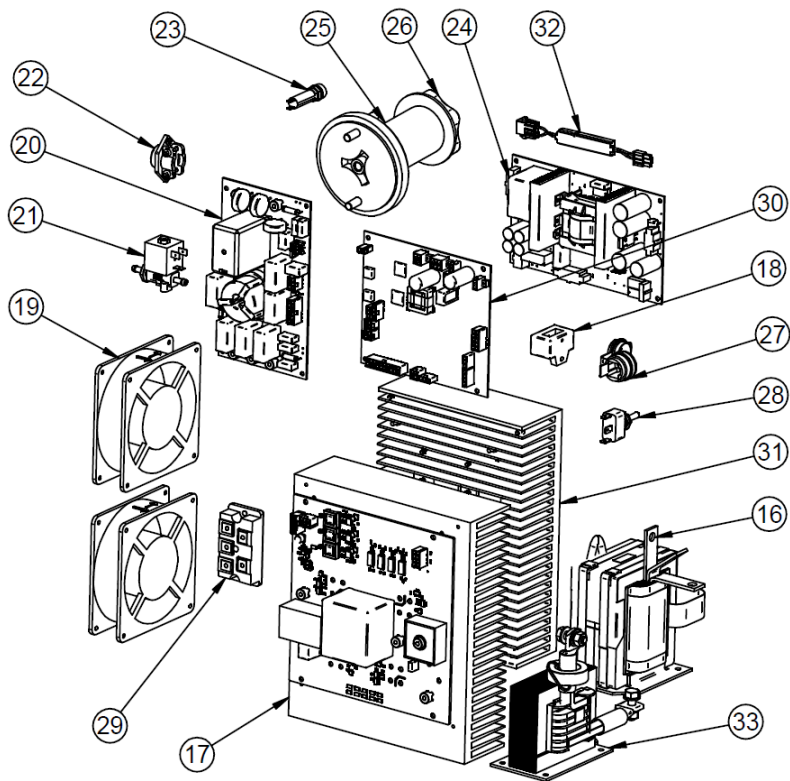
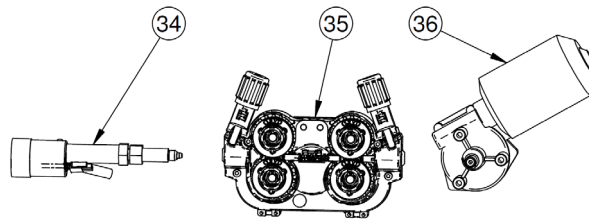


Figure D

**Figure C, D: POWERTEC i380C & i450C ADVANCED Inside Machine Assembly**

Item	Description	Part Number	QTY	1	2	3	4	5	6	7
16	TRANSFORMER AND CHOKE	R-8040-420-1R	1	X						
	TRANSFORMER	R-4034-175-2R	1		X					
17	INVERTER BOARD	R-6042-079-1R	1	X						
	INVERTER BOARD	T-8040-022-1R	1		X					
18	HALL SENSOR	W4900004R	1	X	X					
19	FAN	R-8040-433-1R	2	X						
	FAN	W66X1369R	2		X					
20	INPUT FILTER	Y051-1R	1	X						
	INPUT FILTER	Y056-1R	1		X					
21	SOLENOID	0972-423-040R	1	X	X					
22	CABLE RELIEF	1361-599-674R	1	X	X					
23	FUSE SOCKET	1158-632-032R	1	X	X					
	FUSE 2A 400V	1158-660-010R	1	X	X					
24	PC BOARD	R-6042-081-1R	1	X	X					
25	WIRE SPOOL HUB	0744-000-335R	1	X	X					
26	PLASTIC NUT	0744-000-336R	1	X	X					
27	USB SOCKET	1158-641-061R	1	X	X					
28	SWITCH	1115-280-004R	1	X	X					
29	THREE PHASE BRIDGE	W4100021R	1	X	X					
30	CONTROL BOARD	R-6042-087-1R	1	X						
	CONTROL BOARD	R-6042-089-1R	1		X					
31	OUTPUT BRIDGE	R-8040-388-1R	1	X						
	OUTPUT BRIDGE	T-8040-023-1R	1		X					
32	LED MODULE	R-5041-508-1R	2	X	X					
33	CHOKE	R-8040-441-1R	1		X					



**Figure E**

**Figure E: Powertec i380C & i450C ADVANCED Wire Drive Assembly**

Item	Description	Part Number	QTY	1	2	3	4	5	6	7
34	EURO SOCKET	R-8040-389-1R	1	X						
	EURO SOCKET	T-8040-021-1R	1		X					
35	COMPLETE FEED PLATE ASSEMBLY (INCLUDES 1.0/1.2 MM DRIVE ROLLS AND WIRE GUIDE KIT)	0744-000-009R	1	X	X					
36	WIRE DRIVE MOTOR	1111-722-048R	1	X	X					

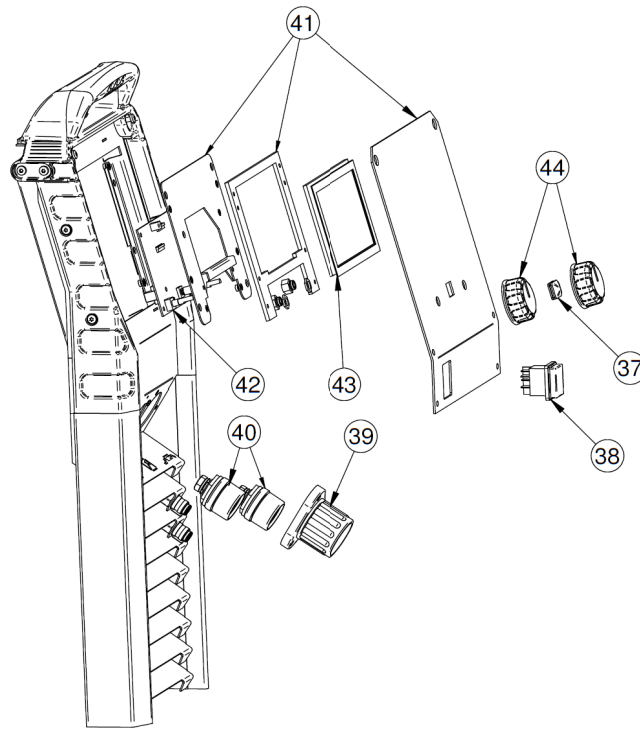


Figure F

Figure F: Powertec i380C & i450C ADVANCED Front Assembly

Item	Description	Part Number	QTY	1	2	3	4	5	6	7
37	BUTTON	9ES23055	1	X	X					
38	MAIN SWITCH	1115-270-022R	1	X	X					
39	EURO SLEEVE	C-1891-006-1R	1	X	X					
40	SOCKET	2EINN0500FR	2	X						
	SOCKET	90000595PR	2		X					
41	DISPLAY KIT includes:	T-8040-009-1R	1	X						
	BRACKETS		1	X						
	FRONT PANEL		1	X						
	DISPLAY KIT includes:	T-8040-020-1R	1		X					
	BRACKETS		1		X					
	FRONT PANEL		1		X					
42	PCB	R-6042-077-1R	1	X	X					
43	LCD	0942-177-002R	1	X	X					
44	KNOB	9SM22778-3	2	X	X					

Miscellaneous Items (not shown in figure A, B, C, D, E, F)

Item	Description	Part Number	QTY	1	2	3	4	5	6	7
45	HARNESSES KIT	T-8040-010-1R	1	X						
45	HARNESSES KIT	T-8040-019-1R	1		X					



# Electrical Schematic

CODE: 50442

