

INVERTEC® 170TX 170TPX & 220TPX

Spare Parts.....	1
INVERTEC 170TX/TPX	1
Figure A: 170TX/TPX	1
Figure A: 170TX/TPX Machine Assembly	2
INVERTEC 220TPX	3
Figure B: 220TPX	3
Figure B: 220TPX Machine Assembly	4
Electrical Schematic.....	5
170TX/TPX code 52111/52112/52122	5
220TPX code 52104/52121	6



Spare Parts

SP52111/52112/52122 Rev. 3
02/16

INVERTEC 170TX/TPX

ASSEMBLY PAGE NAME		Machine Assembly						
CODE NO.:	FIGURE NO.:	A						
52111	170TX CE	1						
52112	170TPX CE	2						
52122	170TPX AUS	3						

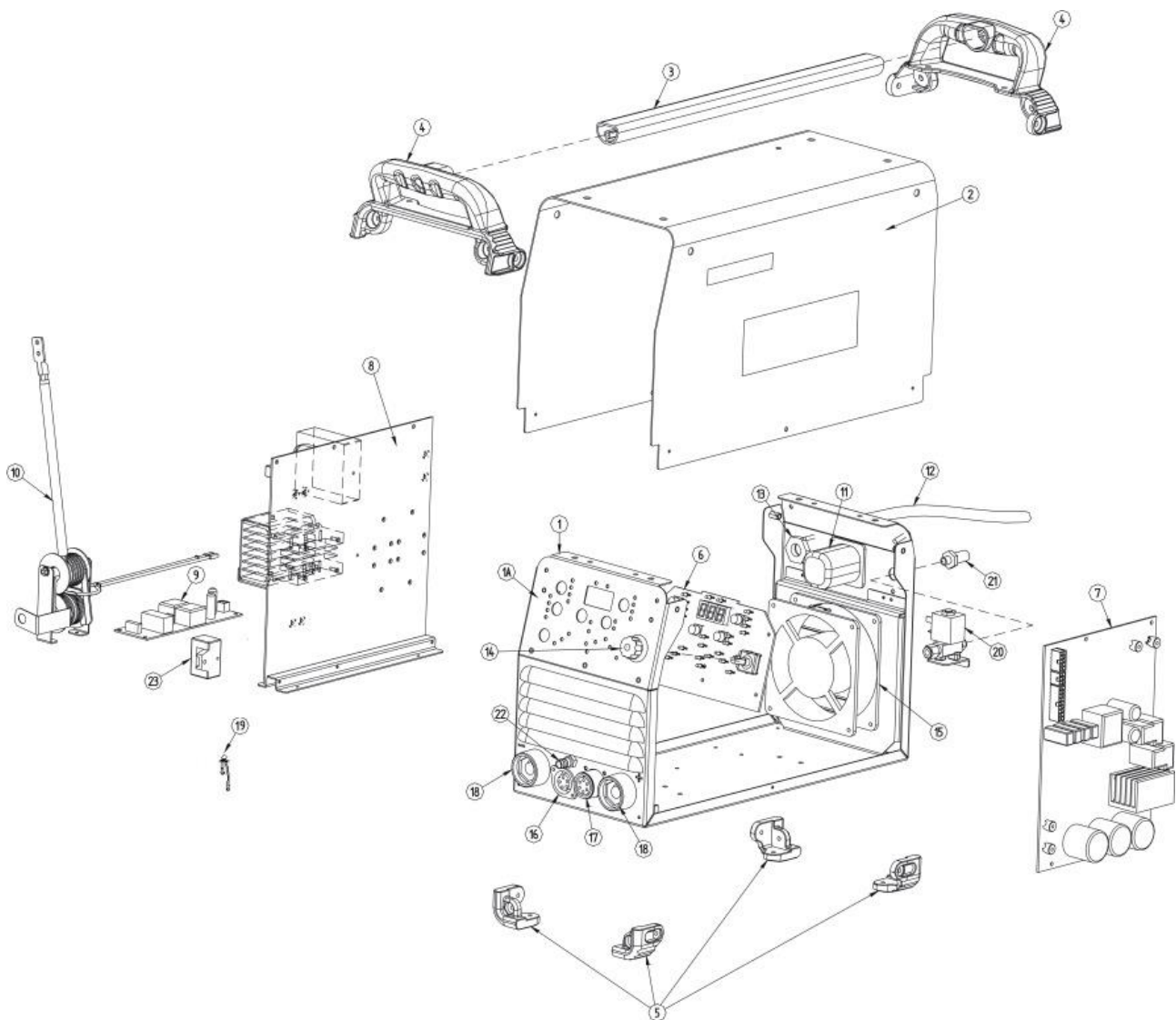


Figure A: 170TX/TPX

Figure A: 170TX/TPX Machine Assembly

Item	Description	Part Number	QTY	1	2	3	4	5	6
1	MAIN FRAME	W93X1379R	1	X	X	X			
1A	+ FRONT NAMEPLATE	+ W07X1392R	1	-	X	X			
	+ FRONT NAMEPLATE	+ W07X1482R	1	X	-	-			
2	WRAPAROUND	R-1019-392-1R	1	X	X	X			
3	HANDLE	W92X0228-8R	1	X	X	X			
4	FRONT/REAR HANDLE	W95X1387R	2	X	X	X			
5	KIT 4 ANTI-SLIP FOOT	W95X1149R	1	X	X	X			
6	CONTROL P.C. BOARD for TPX	W05X1419R	1	-	X	X			
	CONTROL P.C. BOARD for TX	W05X1419-2R	1	X	-	-			
7	INPUT P.C. BOARD	W05X1545R	1	X	X	X			
8	INVERTER P.C. BOARD	W05X1348-2R	1	X	X	X			
9	HF P.C. BOARD	W05X1615R	1	X	X	X			
10	HF TRANSFORMER	W59X1544R	1	X	X	X			
11	MAIN SWITCH	W7511710R	1	X	X	X			
12	INPUT CORD CE	R-5041-305-1R	1	X	X	-			
	INPUT CORD AUS	R-5041-305-5R	1	-	-	X			
13	CABLE CLAMP WITH NUT	W8400006R	1	X	X	X			
14	KNOB WITH FELT	W8707653R	1	X	X	X			
15	FAN	W66X1369R	1	X	X	X			
16	TRIGGER TORCH CONNECTOR	R-5141-002-2R	1	X	X	X			
17	REMOTE CONTROL CONNECTOR	R-5041-312-2R	1	X	X	X			
18	DINSE CONNECTOR	C-2986-001-2R	2	X	X	X			
19	ASSEMBLE CAP. 4n7 250Vac	R-5141-025-1R	1	X	X	X			
20	SOLENOID VALVE	W8500011R	1	X	X	X			
21	FITTING 1/4-1/8 + NUT 1/4	W8896074R	1	X	X	X			
22	FITTING QUICK CONNECTION PU 1/8	W8800082R	1	X	X	X			
23	HALL SENSOR	W4900003R	1	X	X	X			

INVERTEC 220TPX

ASSEMBLY PAGE NAME		Machine Assembly					
CODE NO.:	FIGURE NO.:	B					
52104	220TPX CE	1					
52121	220TPX AUS	2					

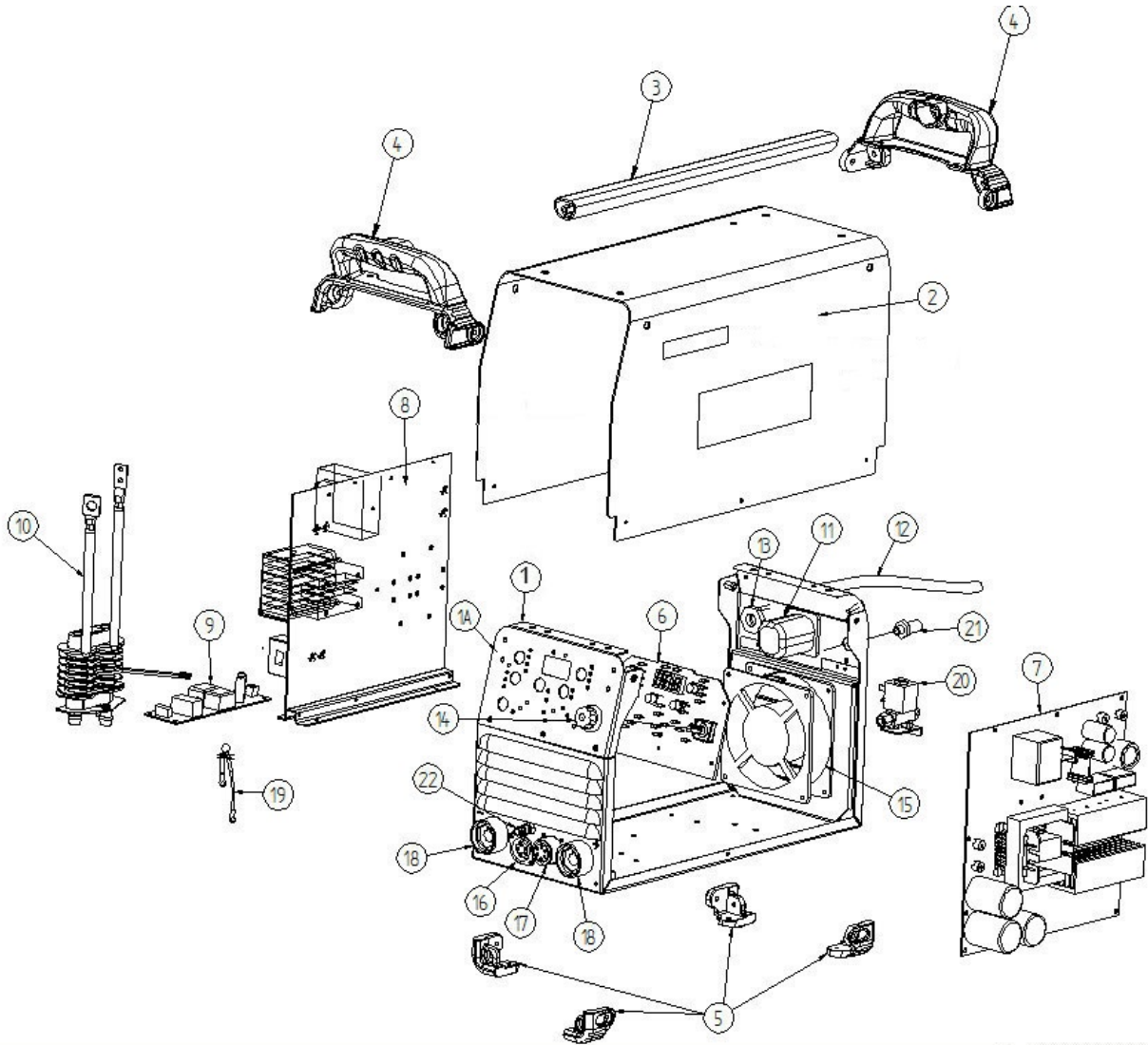


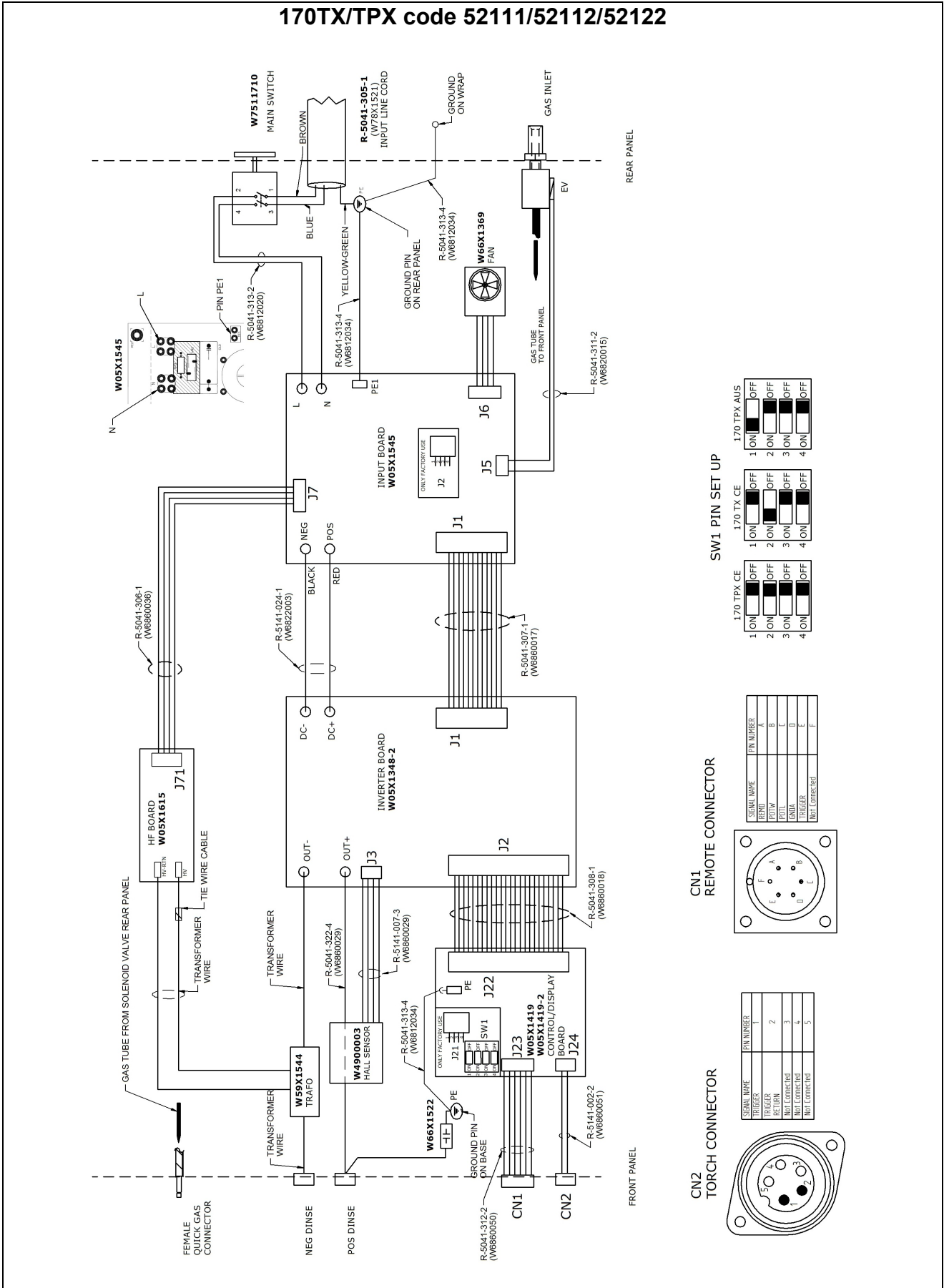
Figure B: 220TPX

Figure B: 220TPX Machine Assembly

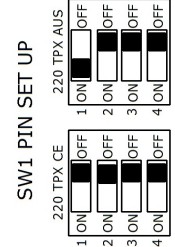
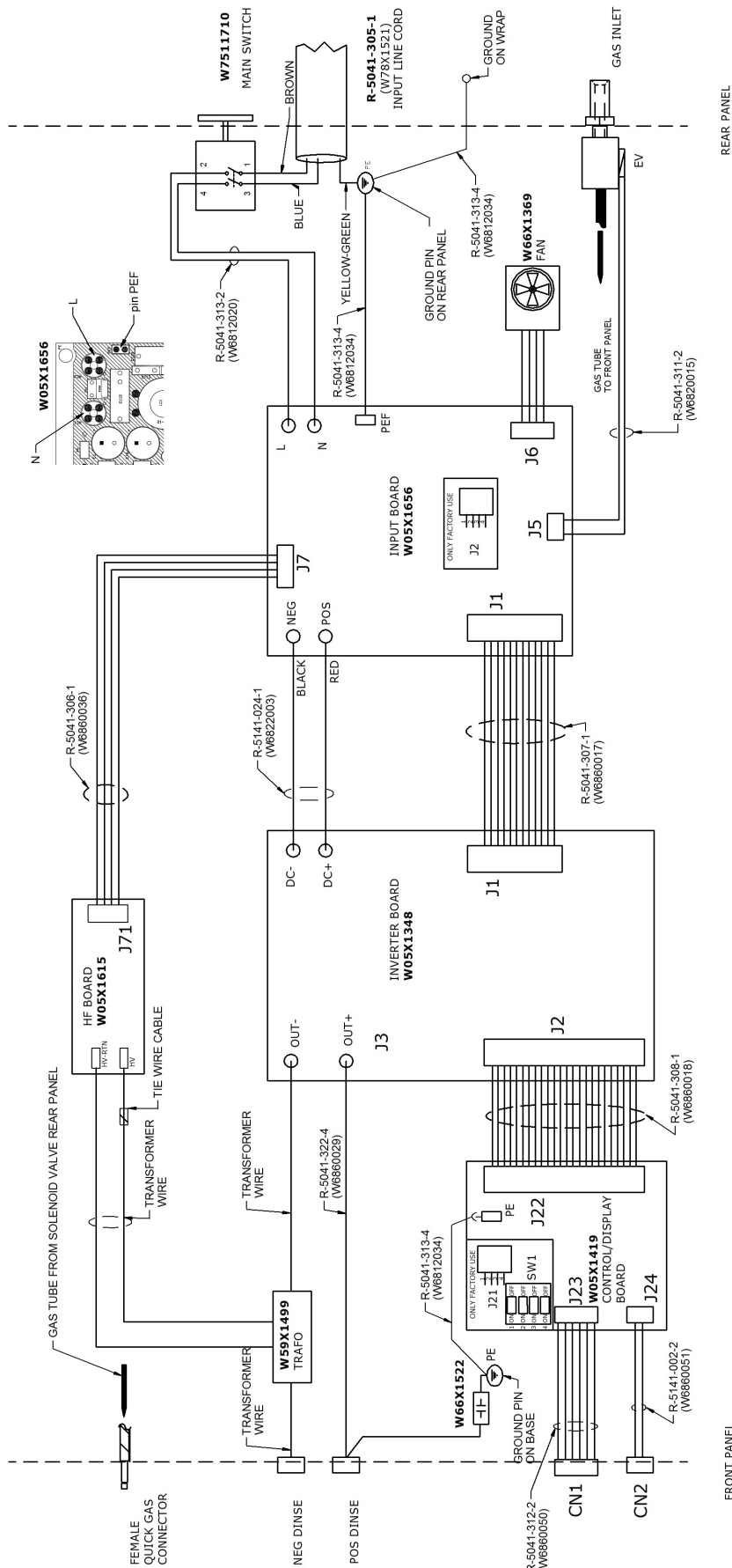
Item	Description	Part Number	QTY	1	2	3	4	5	6
1	MAIN FRAME	W93X1379R	1	X	X				
1A	+ FRONT NAMEPLATE	+ W07X1393R	1	X	X				
2	WRAPAROUND	R-1019-392-1R	1	X	X				
3	HANDLE	W92X0228-8R	1	X	X				
4	FRONT/REAR HANDLE	W95X1387R	2	X	X				
5	KIT 4 ANTI-SLIP FOOT	W95X1149R	1	X	X				
6	CONTROL P.C. BOARD	W05X1419R	1	X	X				
7	INPUT P.C. BOARD	W05X1656R	1	X	X				
8	INVERTER P.C. BOARD	W05X1348R	1	X	X				
9	HF P.C. BOARD	W05X1615R	1	X	X				
10	HF TRANSFORMER	W59X1499R	1	X	X				
11	MAIN SWITCH	W7511710R	1	X	X				
12	INPUT CORD CE	R-5041-305-1R	1	X	-				
	INPUT CORD AUS	R-5041-305-5R	1	-	X				
13	CABLE CLAMP WITH NUT	W8400006R	1	X	X				
14	KNOB WITH FELT	W8707653R	1	X	X				
15	FAN	W66X1369R	1	X	X				
16	TRIGGER TORCH CONNECTOR	R-5141-002-2R	1	X	X				
17	REMOTE CONTROL CONNECTOR	R-5041-312-2R	1	X	X				
18	DINSE CONNECTOR	C-2986-001-2R	2	X	X				
19	ASSEMBLE CAP. 4n7 250Vac	R-5141-025-1R	1	X	X				
20	SOLENOID VALVE	W8500011R	1	X	X				
21	FITTING 1/4-1/8 + NUT 1/4	W8896074R	1	X	X				
22	FITTING QUICK CONNECTION PU 1/8	W8800082R	1	X	X				
23									

Electrical Schematic

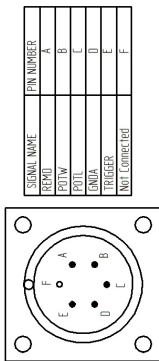
170TX/TPX code 52111/52112/52122



220TPX code 52104/52121



CN1 REMOTE CONNECTOR



CN2 TORCH CONNECTOR

