

# SPEEDTEC 320CP

---

Spare Parts.....	1
Figure A. Speedtec 320 CP Casing .....	1
Figure B. Speedtec 320 CP Wire Feeding .....	2
Figure C. Speedtec 320 CP Internal Parts .....	3
Figure D. Speedtec 320 CP Front Assembly .....	4
Figure E. Speedtec 320 CP Inverter .....	5
Figure F. Speedtec 320 CP Back assembly.....	6
Electrical Schematic .....	7



# Spare Parts

50393 REV01  
11/18

ASSEMBLY PAGE NAME		Casing	Wire Feeding	Internal Parts	Front Assembly	Inverter	Back Assembly	Electrical Diagram
CODE NO :	FIGURE NO :	A	B	C	D	E	F	G
50393	SPEEDTEC 320 CP	1	1	1	1	1	1	1

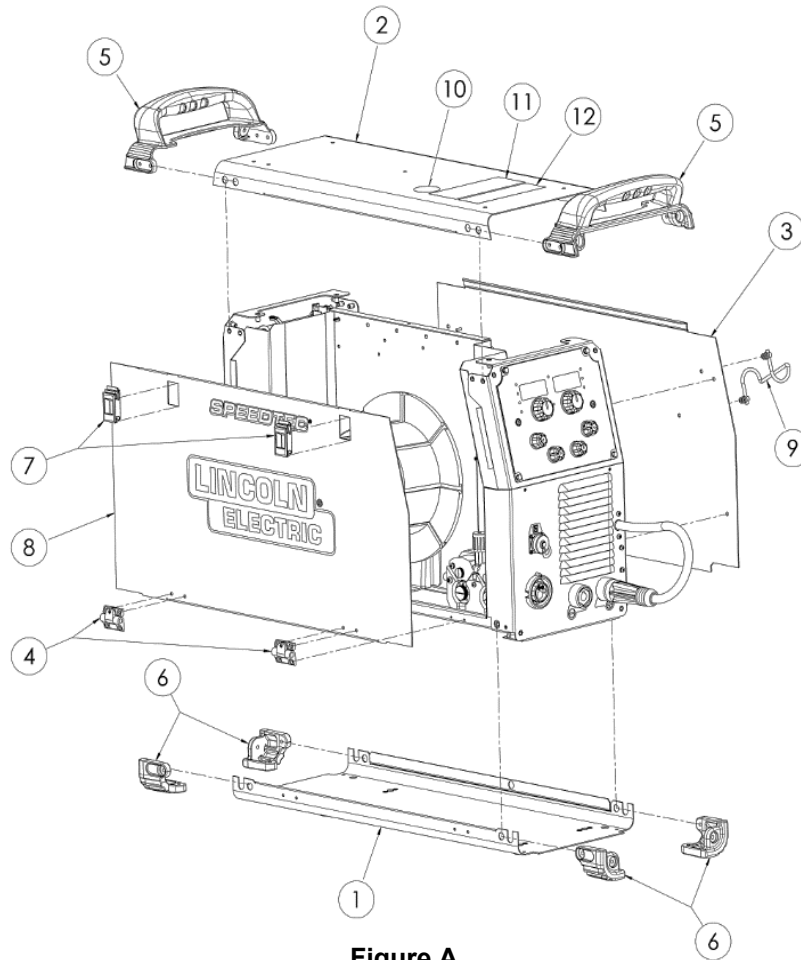
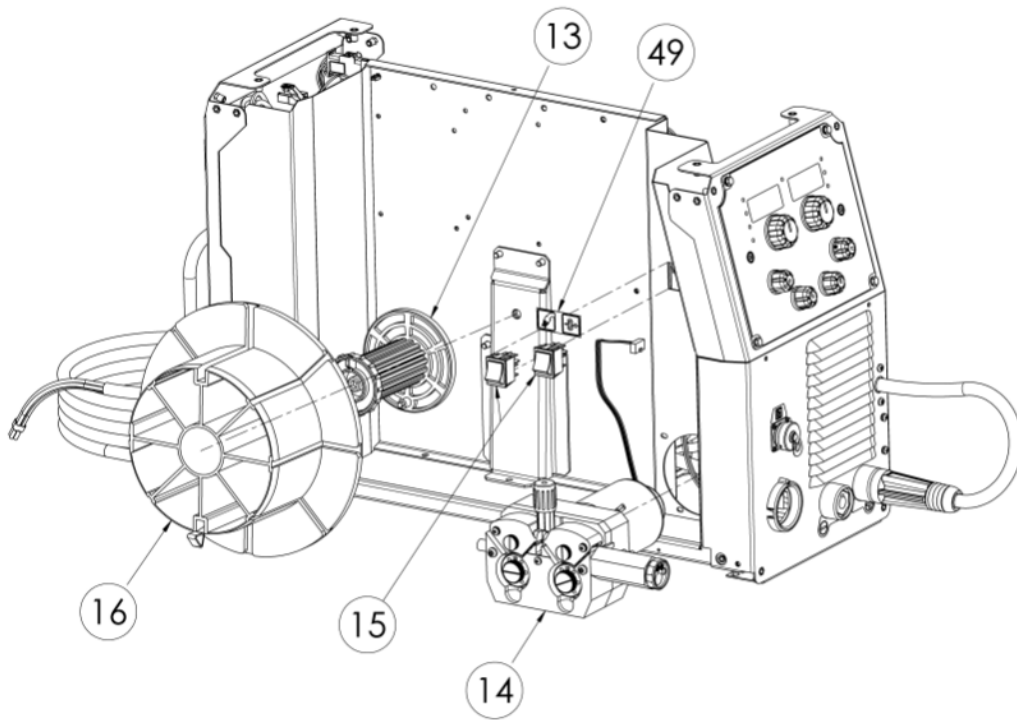


Figure A

Figure A. Speedtec 320 CP Casing

Item	Description	Part Number	Qty	1
01	BOTTOM ASSEMBLY	R-3019-497-1R	1	X
02	COVER ASSEMBLY	R-3019-498-1R	1	X
03	LATERAL PANEL ASSEMBLY	R-1019-545-1R	1	X
04	LOCKING UNIT HINGE	W000278021	2	X
05	ASA SPEEDTEC 400S/500S(HANDLE)	R-0010-292-1R	2	X
06	CORNER CAP	W95x1147R	4	X
07	LOQUET COULISSANT AFFLEURANT	W000241671	2	X
08	DOOR INKED	R-1019-544-1R	1	X
09	TORCH HOLDER (COMPLET AVEC 87000055P)	W000402488	1	X
10	STICKER 3YEARS WARRINTY D-2837-731-2	2719-107-823R	1	X
11	STICKER LIFTING	R-0010-332-1R	1	X
12	STICKER WARNINGS D-2837-728-1	2719-107-728R	1	X



**Figure B**

**Figure B. Speedtec 320 CP Wire Feeding**

Item	Description	Part Number	Qty	1
13	PLASTIC SPOOL AXIS DV44J	W000149075	1	X
14	4 ROLLS COD150PDVU DMU P400	W000277988	1	X
15	SWITCH 2P SWITCH	W000147188	1	X
16	ADAPTER B300	W000385691	1	X

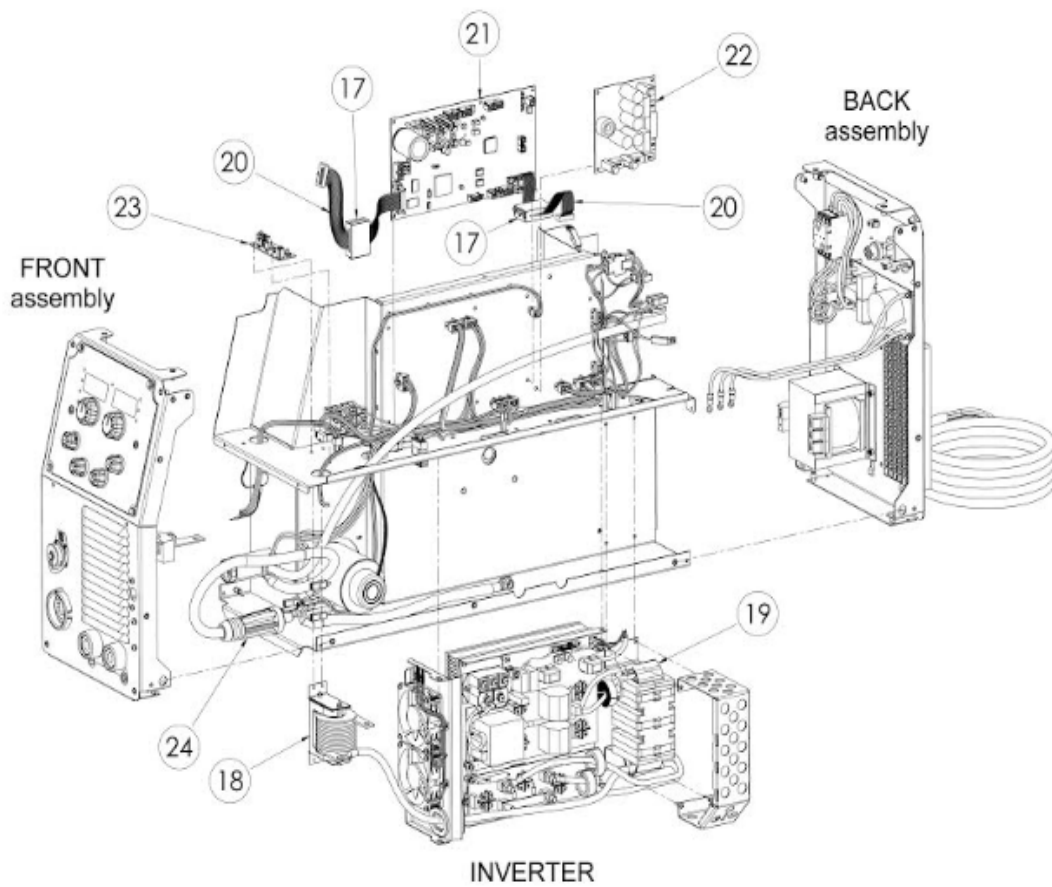


Figure C

Figure C. Speedtec 320 CP Internal Parts

Item	Description	Part Number	Qty	1
17	FERRITE FLAT	W000376585	2	X
18	CHOKE 8 TURNS	90002919PR	1	X
19	POWER TRANSFORMER	W000385778	1	X
20	RIBBON CABLES PULS III	W000384735	1	X
21	PCB CYCLE COMMAND	W000386035	1	X
22	PCB AUXILAIRY SUPPLY	W000277882	1	X
23	ENCODER BOARD	W000386042	1	X
24	MALE CONNECTOR 35-50MM	W000010560R	1	X

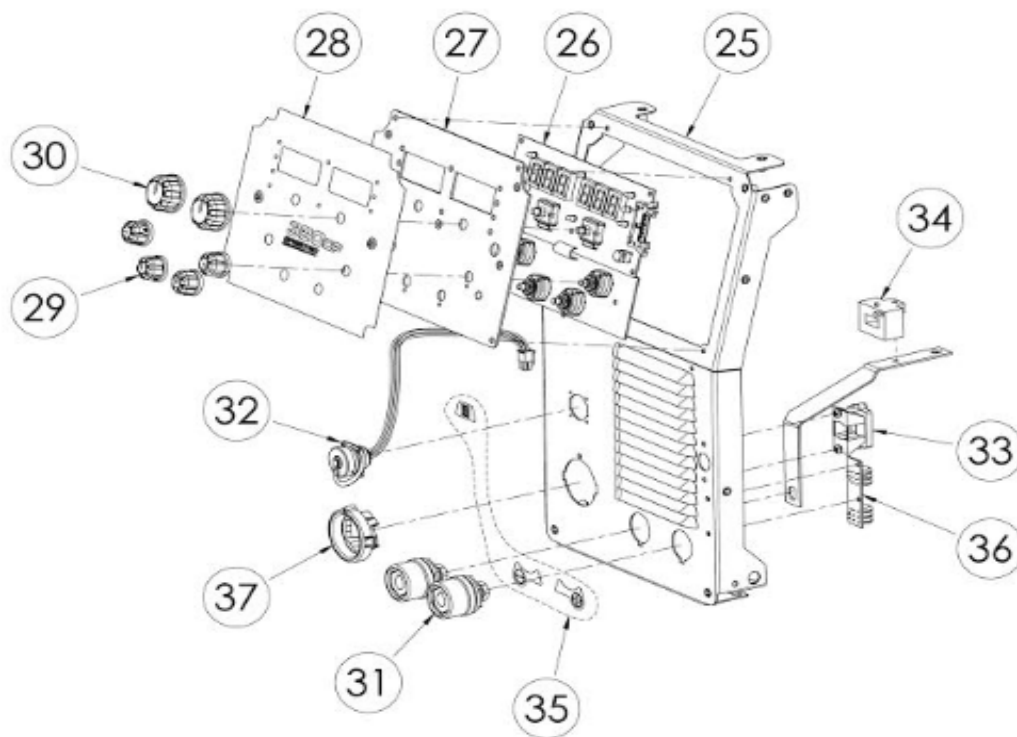


Figure D

Figure D. Speedtec 320 CP Front Assembly

Item	Description	Part Number	Qty	1
25	FRONT PANEL ASSEMBLY	R-3019-492-1R	1	X
26	BOARD FRONT PANEL	91633329PR	1	X
27	FRONT PANEL BOARD SUPPORT	R-3019-493-1	1	X
28	FRONT NAMEPLATE SPEEDTEC 320 CP	R-0010-725-1R	2	X
29	KNOB 1 INCHES	9SM22778-1	2	X
30	KNOB 1.5 INCHES	9SM22778-2	4	X
31	PRESA FEMMINIA SALD.OPTIP 500I	W000148911	2	X
32	"J" HARNESSSES 320C	R-5241-033-1R	1	X
33	CABLE CLAMP	04081581PR	1	X
34	LEM	90000389PR	1	X
35	STICKER PLATE	90002713PR	1	X
36	SECONDARY EMC FILTER BOARD	W000386043	1	X
37	PLASTIC INSULATOR EURO CONNECTOR	90003007PR	1	X

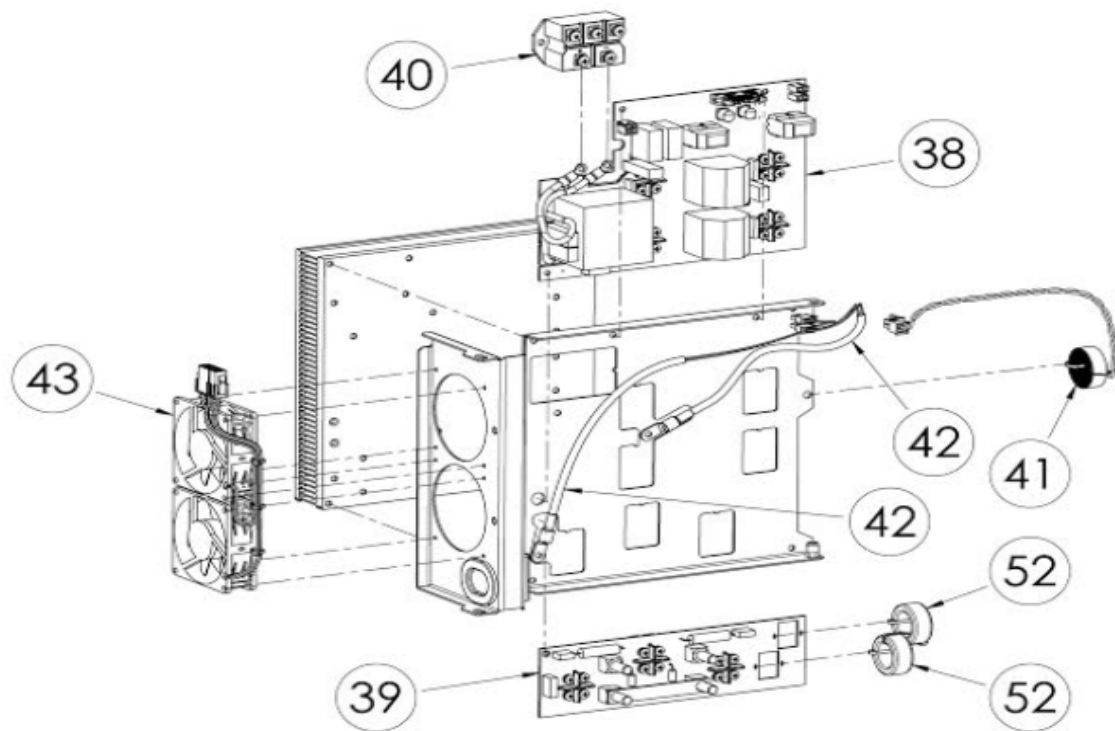


Figure E

Figure E. Speedtec 320 CP Inverter

Item	Description	Part Number	Qty	1
38	PCB PRIMARY	W000386030	1	X
39	PCB SECONDARY WITH LED	W000386031	1	X
40	BRIDGE RECTIFIER	W000386032	1	X
41	CURRENT SENSE TRANSFORMER	90002925PR	1	X
42	GENERIC THERMAL SENSOR	90002863PR	1	X
43	FAN EQUIP DGPIII COMPACT WORKING SKETCH	R-5241-002-1R	1	X

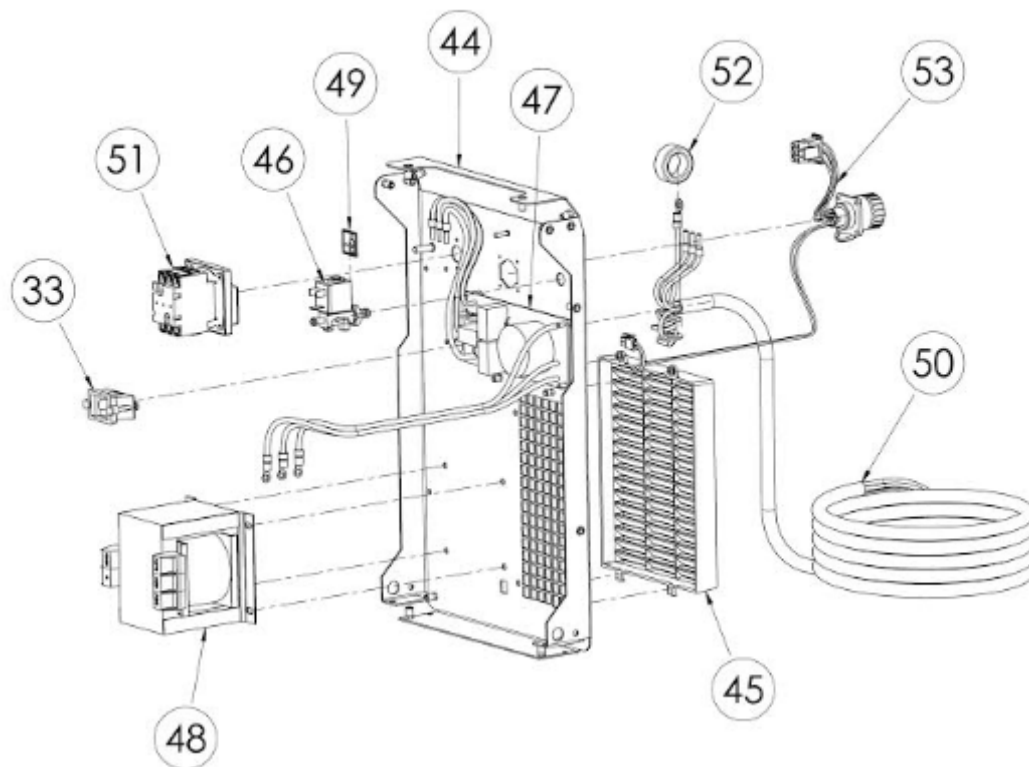


Figure F

Figure F. Speedtec 320 CP Back assembly

Item	Description	Part Number	Qty	1
44	BACK ASSEMBLY	R-3019-494-1R	1	X
45	PLASTIC FRAME REAR	W000373702	1	X
46	SOLENOID VALVE 24V DC DIGIPULS II	W000278017	1	X
47	PRIMARY FILTER BOARD NCI WORKING SKETCH	R-5241-001-1R	2	X
48	TRANSFORMER 200VA III 320C	W000386041	2	X
49	STICKER PLATE WIRE	90002486PR	4	X
50	POWER CABLE	R-5241-011-1R	2	X
51	SWITCH 40A	W000385787	1	X
52	FERRITE TORE 36X23X15	90002996PR	1	X
53	COOLER HARNESS	R-5241-079-1R	1	X

# Electrical Schematic

