

90° Tru AngL & Portable MagVise™

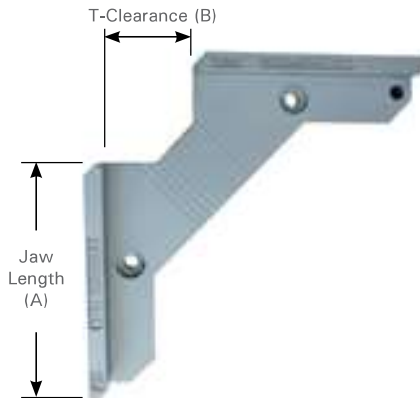
Time saving aluminum vises for use in the shop and in the field.



ALUMINUM 90° TRU-ANGL JIG

- Accurate Right Angle Fixture.
- Weld spatter proof aluminum alloy.
- Holds round, square, flat and angled shapes.
- Works on both the outside and inside surfaces.
- Can be held in a vise.

Part No.	A (in)	B (in)	Jaw Height (in)	Weight (lb)
LF-2	7	1-1/2	2-1/2	3.0



Held in vise



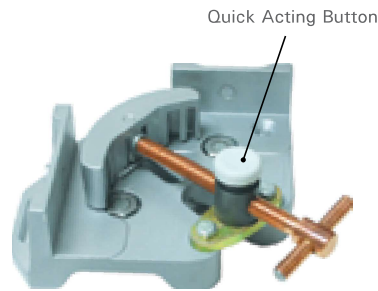
Used with pliers

PORTABLE MAGVISE™

Use the lightweight, compact Portable MagVise for quick 90° clamping in the shop, or in the field!

Magnets in the walls instantly hold pipes, tubes, angle iron, or metal plates in position for fast, accurate clamping at 90°.

Features the Quick-Acting Adjustable Spindle. Press and hold the Quick Acting Button and the spindle assembly slides in and out for a super fast set-up! Release the button and the threads re-engage for tightening.

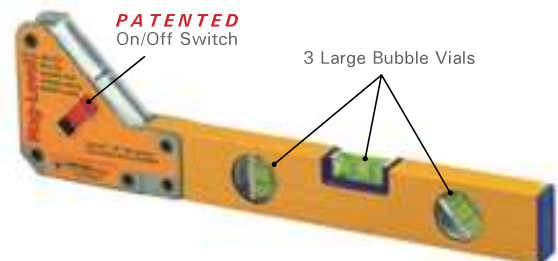
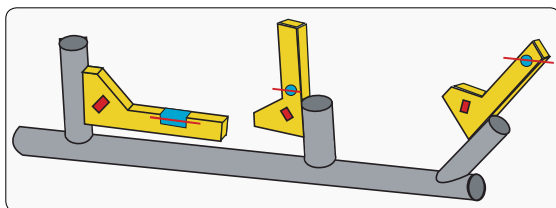


The rotatable spindle allows for holding work-pieces with different thicknesses.

Part No.	Features	Miter Joints (in)	Jaw Length (in)	T-Clearance (in)	Jaw Height (in)	Weight (lb)
WK50	MagVise™ with Adjustable Spindle	1	3.35	1.2	2	1.7

MAG-LEVEL

- The only magnetic level with the On/Off switch.
- Holds securely to round and flat surfaces.
- Three vials for 0°, 45°, 90° reading.



Part No.	Angles	Dimension (in)	Max. Pull Force (lb)	Weight (lb)
MSL-316	45°, 90°, 180°	4 x 16 x 1	70	2.0

*Magnetic force is based on 3/8" thick steel.