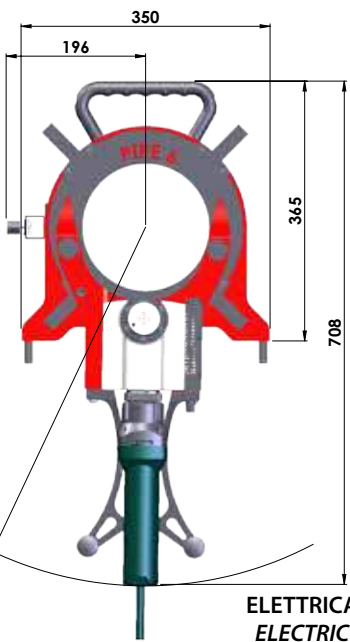


Pipe 6 Orbital Saw

Range 23-170mm (1"-6")

Orbital pipe cutter, extremely light (28 Kgs.) equipped with a motor with adjustable speed of 720W, suitable for cutting up to 11mm wall pipes. Fitted with a unique self-centering locking device with 4 points of contact, operated by a simple Allen key and with an onboard digital display for a faster setting.

- Working range: 1"-6";
- Self-centering locking device;
- Automatic detection of the pipe OD;
- Specific beveling blades are available for different beveling angles;



- TECHNICAL FEATURES

**ELETRICA
ELECTRIC**

OD Locking Range	mm (inches)	23 ÷ 170 (0.90 ÷ 6,69)
Idle Speed	(Rpm)	74 ÷ 291
Pipe Wall Thickness	mm (inches)	1 ÷ 11 (0.039 ÷ 0.43)
Electric Motor Power	Hp (W)	0.96 (720)
Tension	Volt	110 / 230
Frequency	Hz	50 / 60
Max Acoustic Emission	Db	75
Machine Weight	Kg	28