



Barcode: 5060452080239

pipestor™

Product code: PS3

- » Mobile unit for securing long lengths of pipe and conduit.
- » 4 internal compartments maximises storage capacity.
- » Supplied in 1.5m sections which are bolted together.



Watch the PipeStor in action



Product features



5-lever deadlock



Standard 6" castors



Forklift skids

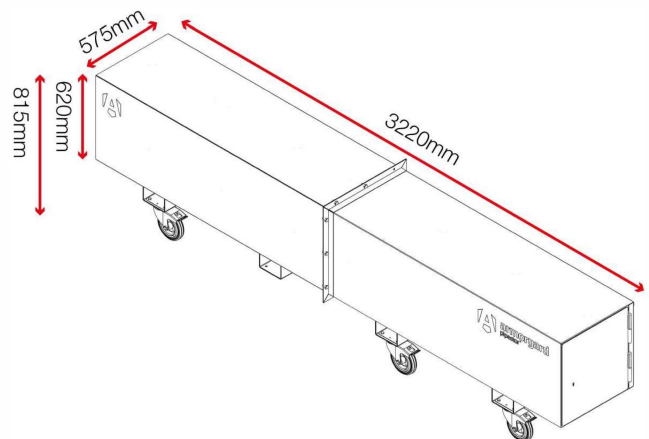


Suitable for site

Product specifications

Weight	133kg
Colour	Black grey: RAL 7021
Suitable for	Site
Finished coating	Powder coated
Material & thickness	1.6mm steel
Quantity of keys	2 keys
Suitable for vehicle mounting	No
How are castors fitted?	Quick-fix bolt on castor kit
Other sizes available	1 other size
Qty of shelves as standard	No

Dimensions



Optional extras



PipeStor extension PS1.5

