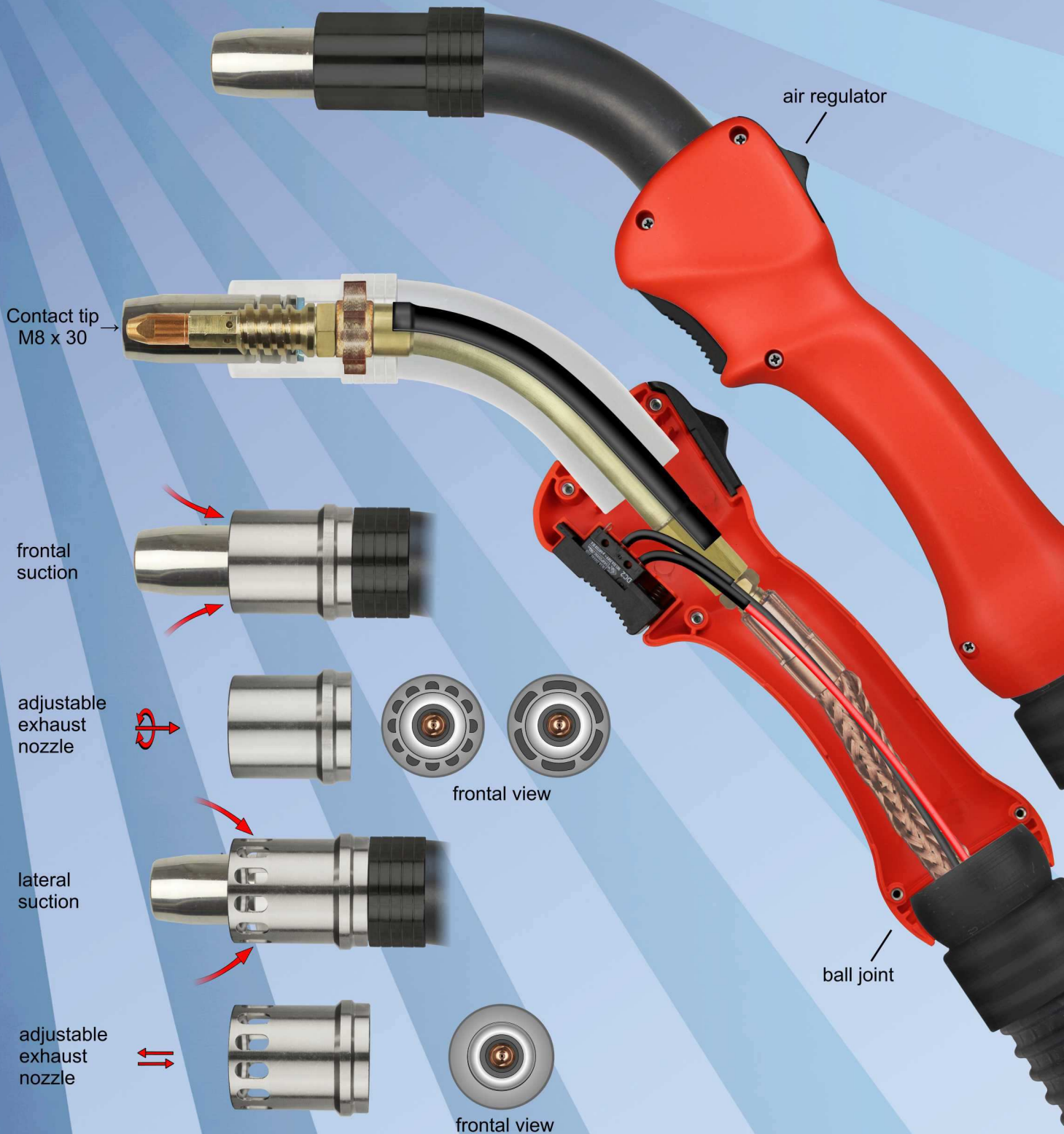


MHS RAUCH-250

air-cooled



250 Amp./100% duty cycle (CO₂)
210 Amp./100% duty cycle (mixed gas)

Spare parts like:

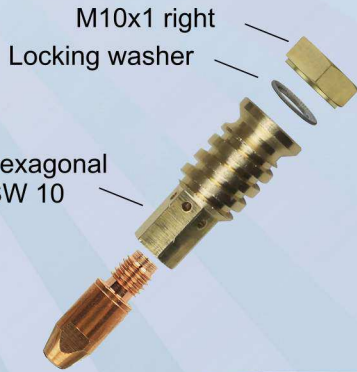
MHS RAUCH-330 water cooled

MHS RAUCH-250

air-cooled

Torch body
Part No. r2509101

Insulating hose
Part No. r2509121



hexagonal
SW 10

M10x1 right
Locking washer



M9 left

Permanently installed
in the exhaust pipe

Adjustable exhaust
nozzle for **frontal**
suction

Adjustable exhaust
nozzle for **lateral**
suction

internal
O-ring
Part No.
r9131011

Part No. r9130012
(Brass plated)

Part No. r9130013
(Brass plated)



Exhaust tube
Part No. r2509102
(Aluminium black
anodised)

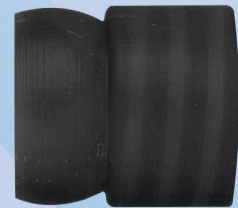


Air regulator

Drilled hole
Ø 30mm

RAUCH-handle with air regulator
Part No. r9193811

Ball joint
fits RAUCH - exhaust hose



Ø 32mm Part No. r9193803
Ø 38mm Part No. r9193804



Contact tip M8 x 30
Part No. 830□401(CuCrZr)
□ Please fill in wire diameter



Nozzle receptacle
with acme thread
Part No. ven98001



Locking washer
Part No. ven91985



Brass nut M10x1
Part No. ven91984



Conical gas nozzle ID 15mm
with acme thread
Part No. ven93002



Cylindric gas nozzle ID 18mm
with acme thread
Part No. ven93302



Narrow-gap gas nozzle
Part No. r3309364



Narrow-gap gas nozzle
Part No. r3309362
with silicon ring
Part No. r3309363



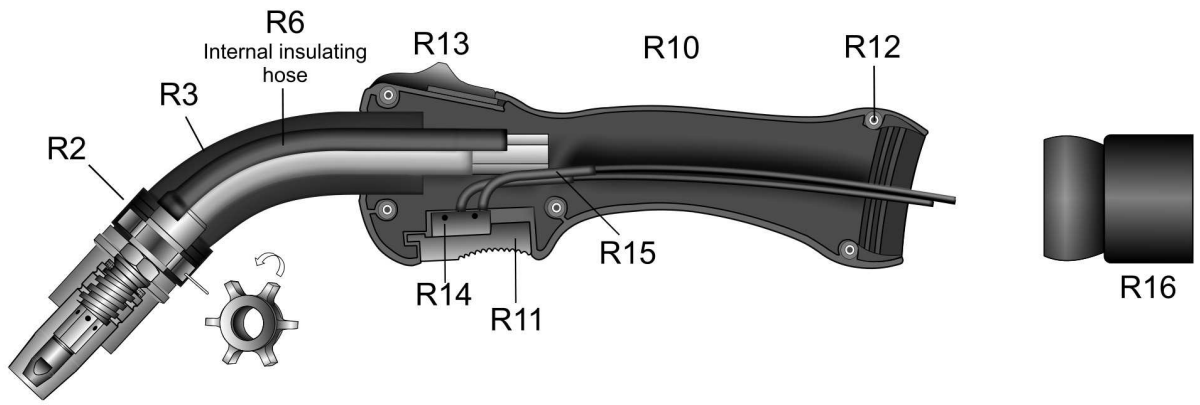
Narrow-gap contact tip
Part No. 88551241

HSN 862-4

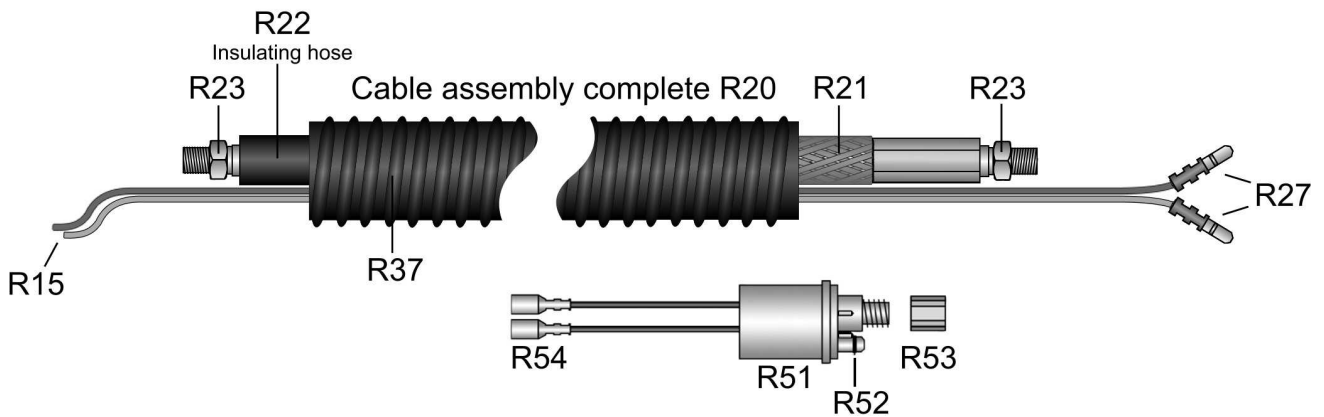
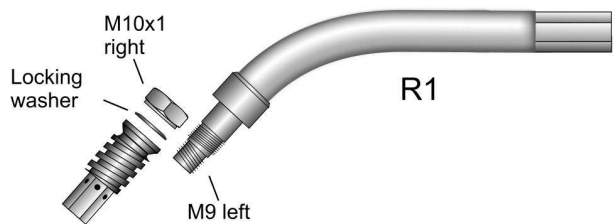
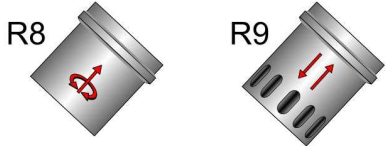


MHS RAUCH-250 air-cooled

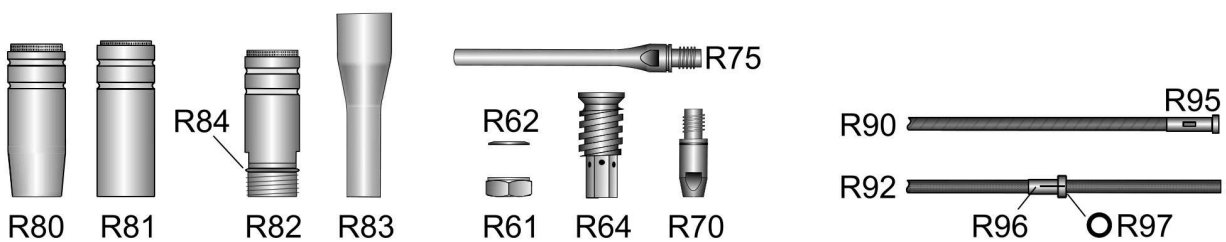
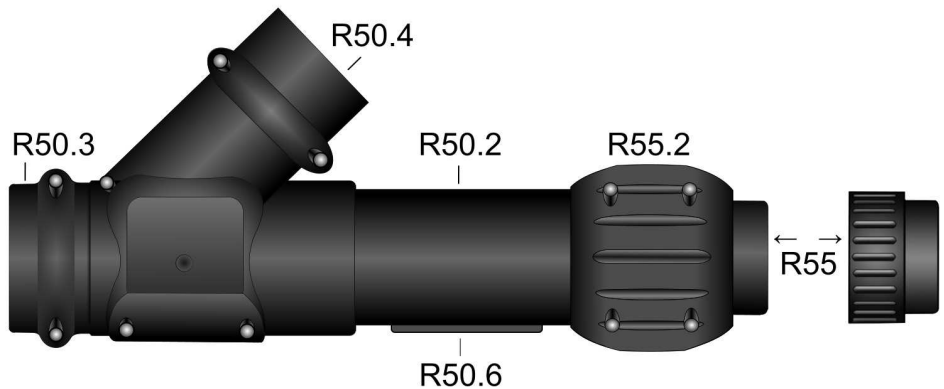
250 Ampere at 100% duty cycle (CO₂) - 210 Ampere at 100% duty cycle (mixed gas)



Adjustable exhaust nozzle
for frontal extraction for lateral extraction



RAUCH cable support
complete
R50



HSN 863-3

MHS RAUCH-250

Welding-torch MIG-MAG air-cooled

250A at 100% duty cycle (CO₂) - 210A at 100% duty cycle (mixed gas)

Art.-No.

Spare parts as torch MHS RAUCH-330 water-cooled

r2500311 Torch MHS RAUCH-250 / 3m EURO central adapter exhaust hose ID38mm

r2500411 Torch MHS RAUCH-250 / 4m EURO central adapter exhaust hose ID38mm

r2500511 Torch MHS RAUCH-250 / 5m EURO central adapter exhaust hose ID38mm

r2500312 Torch MHS RAUCH-250 / 3m EURO central adapter exhaust hose ID32mm

r2500412 Torch MHS RAUCH-250 / 4m EURO central adapter exhaust hose ID32mm

r2500512 Torch MHS RAUCH-250 / 5m EURO central adapter exhaust hose ID32mm

**For torches without EURO central-adaptor the following prices apply.
Please note that for some special machine side connections surcharges may arise,
which you will find in the appendix "A" custom made products.**

r2500301 Torch MHS RAUCH-250 / 3m exhaust hose ID38mm

r2500401 Torch MHS RAUCH-250 / 4m exhaust hose ID38mm

r2500501 Torch MHS RAUCH-250 / 5m exhaust hose ID38mm

r2500302 Torch MHS RAUCH-250 / 3m exhaust hose ID32mm

r2500402 Torch MHS RAUCH-250 / 4m exhaust hose ID32mm

r2500502 Torch MHS RAUCH-250 / 5m exhaust hose ID32mm

R1 r2509101 Swan neck MHS RAUCH-250 with insulation and hexagon nut

R2 r2509102 Fume suction tube for torch body RAUCH-250/330

R3 r2509103 Fume suction tube with Swan neck, complete with all consumables (contact tip 1,0) without fume suction nozzle

R6 r2509121 Section of silicone/glas insulating hose ID12,6-L125mm heat resistant up to 200°C

R8 r9130012 Fume suction nozzle for RAUCH-250 / RAUCH-330 made of brass nickel plated, frontal suction, adjustable, complete with special o-ring high temperature resistant

R9 r9130013 Fume suction nozzle for RAUCH-250 / RAUCH-330 made of brass nickel plated, side suction, adjustable, complete with special o-ring high temperature resistant

RAUCH-handle complete with air-slider, switch and all sundries. Please order ball joint separately depending on the exhaust hose for either ID32mm or ID38mm.

R10 r9193811 RAUCH-handle red

R11 91912440 Ratio push button black

R12 91920703 M3 mounting socket fits Ratio/Industry/RAUCH handle and cable support

N.i. 91920702 Screw M3x11,5mm fits Ratio/Industry/RAUCH handle and cable support

R13 r9193812 RAUCH-air slider black

R14 91912438 Ratio microswitch DC2 also fits RAUCH handle

Reel goods:

Prices are per meter and only applicable if a complete reel is purchased.

R15 91902601 Meter control line 2x0,5mm² silicone red (100m)

R15 91902602 Meter control line 2x0,5mm² silicone white (100m)

N.i. s5080001 Meter shrinking hose, heatresistant 2:1, ID50,8mm (5m)

R16 r9193803 RAUCH-ball joint fits hose ID32mm

R16 r9193804 RAUCH-ball joint fits hose ID38mm

**Cable assembly for EURO central adapter consisting of:
Exhaust hose, wire/power/gas conduit 35mm² and control line.**

MHS RAUCH-250

Welding-torch MIG-MAG air-cooled

250A at 100% duty cycle (CO₂) - 210A at 100% duty cycle (mixed gas)

Art.-No.		
R20	ven90311	Spare cable assembly RAUCH-250 / RAUCH-350-SC 3m / without EURO central adapter exhaust hose ID38mm, complete with 2m leather protection sleeve
R20	ven90411	Spare cable assembly RAUCH-250 / RAUCH-350-SC 4m / without EURO central adapter exhaust hose ID38mm, complete with 2m leather protection sleeve
R20	ven90511	Spare cable assembly RAUCH-250 / RAUCH-350-SC 5m / without EURO central adapter exhaust hose ID38mm, complete with 2m leather protection sleeve
R20	ven90312	Spare cable assembly RAUCH-250 / RAUCH-350-SC 3m / without EURO central adapter exhaust hose ID32mm, complete with 2m leather protection sleeve
R20	ven90412	Spare cable assembly RAUCH-250 / RAUCH-350-SC 4m / without EURO central adapter exhaust hose ID32mm, complete with 2m leather protection sleeve
R20	ven90512	Spare cable assembly RAUCH-250 / RAUCH-350-SC 5m / without EURO central adapter exhaust hose ID32mm, complete with 2m leather protection sleeve
R21	ven94311	Wire-/Power-/Gas conduit fits extraction torch 3m 35mm ²
R21	ven94411	Wire-/Power-/Gas conduit fits extraction torch 4m 35mm ²
R21	ven94511	Wire-/Power-/Gas conduit fits extraction torch 5m 35mm ²
R22	ven91992	Section of silicone/glas insulating hose ID12,6-L700mm heat resistant up to 200°C
R23	15912201	Lock-nut M10x1-L6mm for Swan neck
R27	91902901	Male connector cable-plug for machine side EURO central adapter
Reel goods: Prices are per meter and only applicable if a complete reel is purchased.		
N.i.	r3200001	Meter exhaust hose ID32mm (18m)
N.i.	r3800001	Meter exhaust hose ID38mm (18m)
N.i.	r3200011	Leather-covering ID-45mm appr. 2m long, for fume extraction hose ID-32mm
N.i.	r3800011	Leather-sleeve ID-45mm appr. 2m long, for fume extraction hose ID-38mm
R37	r3200311	Section of exhaust hose 2,4m ID32mm / fits 3m RAUCH torch
R37	r3200411	Section of exhaust hose 3,4m ID32mm / fits 4m RAUCH torch
R37	r3200511	Section of exhaust hose 4,4m ID32mm / fits 5m RAUCH torch
R37	r3800311	Section of exhaust hose 2,4m ID38mm / fits 3m RAUCH torch
R37	r3800411	Section of exhaust hose 3,4m ID38mm / fits 4m RAUCH torch
R37	r3800511	Section of exhaust hose 4,4m ID38mm / fits 5m RAUCH torch
R50	91700002	Fume central adapter connection-system for air-cooled torches complete. Consisting of: 91700061 + 91700011 + 91700021 + 91700031 + 91700151 + 91700041 + 91900702
R50.2	91700061	Fume central adapter / fume protected area to connect support lines, lateral mouth for rubber grommet, 2 halves complete with bushing and screws and 1 red O-ring
R50.3	91700011	Fume central adapter chamber rotatable 360°. 2 halves complete with bushing, screws and 2 O-rings (red). Fits to genuine Holch extraction connection adapter 4° and central adapter connection chamber
R50.4	91700021	Fume central adapter extraction connection 45°, 2 half pieces complete with bushes and screws. Only for genuine Holch central adapter rotatable extraction chamber
N.i.	91700032	Fume central adapter membrane OD35-8mm thick for the genuine Holch fume protected central adapter connection chamber for air-cooled RAUCH fume extraction torch
50.6	91700151	Fume central adapter seal set for air cooled torches to seal the opening in the fume protected connection chamber
N.i.	r9131002	Special high heat resistant O-ring ID33mm-W2mm fits fume extraction connection chamber
N.i.	91700111	Special high heat resistant O-ring ID46mm-W2mm fits fume extraction chamber
R51	91900106	Central adapter spring contact-pins EURO central adapter

MHS RAUCH-250

Welding-torch MIG-MAG air-cooled

250A at 100% duty cycle (CO₂) - 210A at 100% duty cycle (mixed gas)

Art.-No.		
R51	91900101	Central adapter fixed contact-pins EURO central adapter
R52	91900801	O-ring ID4-W1mm fits gas-nipple EURO central adapter
R53	91900901	Coupling nut IT-M10x1 (rounded edges) fits EURO central adapter
R54	91903001	Female connector cable-plug fits machine side EURO central adapter
R55	91900702	Terminal nut insulated fits EURO central adapter (widened fits RAUCH)
R55.2	91700041	Strengthening for terminal nut EURO vental adapter2 halves complete with bushing and screws (black)
R61	ven91984	Hexagon nut M9 left hand thread SW14 with flange
R62	ven91985	Tooth lock washer AD-13-ID9mm
R64	ven98001	Tip/nozzle holder Rauch-250 / RAUCH-330
R70	83008401	Contact tip M8-L30-D10 0,8 CuCrZr
R70	83010401	Contact tip M8-L30-AD10 CuCrZr 1,0
R70	83012401	Contact tip M8-L30-AD10 CuCrZr 1,2
R70	83014401	Contact tip M8-L30-AD10 CuCrZr 1,4
R70	83008a01	Contact tip M8-L30-D10 0,8-A for aluminium wire
R70	83010a01	Contact tip M8-L30-D10 1,0-A for aluminium wire
R70	83012a01	Contact tip M8-L30-D10 1,2-A for aluminium wire
R75	88551241	Narrow gap-contact tip M8-L85,5-D10 turned down to 6mm 1,2 CuCrZr
R80	ven93002	Gas nozzle RAUCH-250/330 conical-ID15mm with spatter protection
R81	ven93302	Gas nozzle RAUCH-250/330 cylindrical-ID18mm with spatter protection
R82	r3309362	Narrow-gap lower section with silicone sealing ring for MHS RAUCH-250 / MHS RAUCH-330
R83	r3309364	Narrow-gap gas nozzle ID11-OD14mm / length 70mm for narrow-gap lower section MHS RAUCH-250 / RAUCH-330
R84	r3309363	Silicon seal for narrow-gap lower section MHS RAUCH-250 / MHS RAUCH-330
R90	15451311	Guide spiral-line blue ID1,5-AD4,5 fits 3m / EURO central adapter
R90	15451411	Guide spiral-line blue ID1,5-AD4,5 fits 4m / EURO central adapter
R90	15451511	Guide spiral-line blue ID1,5-AD4,5 fits 5m / EURO central adapter
R90	20451311	Guide spiral-line red ID2,0-AD4,5 fits 3m / EURO central adapter
R90	20451411	Guide spiral-line red ID2,0-AD4,5 fits 4m / EURO central adapter
R90	20451511	Guide spiral-line red ID2,0-AD4,5 fits 5m / EURO central adapter
R90	23481311	Spiral-liner green ID2,3-AD4,8 fits 3m / EURO central adapter
R90	23481411	Spiral-liner green ID2,3-AD4,8 fits 4m / EURO central adapter
R90	23481511	Spiral-liner green ID2,3-AD4,8 fits 5m / EURO central adapter
R90	25451311	Flatwire spiral-liner yellow ID2,5-AD4,5 fits 3m / EURO central adapter
R90	25451411	Flatwire spiral-liner yellow ID2,5-AD4,5 fits 4m / EURO central adapter
R90	25451511	Flatwire spiral-liner yellow ID2,5-AD4,5 fits 5m / EURO central adapter
R92	20393311	PTFE-carbon core liner ID2,0-AD3,9 fits 3m / EURO central adapter
R92	20393411	PTFE-carbon core liner ID2,0-AD3,9 fits 4m / EURO central adapter
R92	20393511	PTFE-carbon core liner ID2,0-AD3,9 fits 5m / EURO central adapter
R92	20406311	PA-core liner black ID2,0-AD4,0 fits 3m / EURO central adapter

MHS RAUCH-250

Welding-torch MIG-MAG air-cooled

250A at 100% duty cycle (CO₂) - 210A at 100% duty cycle (mixed gas)

Art.-No.		
R92	20406411	PA-core liner black ID2,0-AD4,0 fits 4m / EURO central adapter
R92	20406511	PA-core liner black ID2,0-AD4,0 fits 5m / EURO central adapter
N.i.	20405002	Brass spiral liner blue L300mm IG fits AD3,9/4,0mm
R95	91905721	Nipple fits spiral liner EURO central adapter AD 4,5mm
R96	91906111	Nipple fits core liner EURO central adapter AD3,9/4,0mm
R97	91906131	O-ring ID3,5-W1,5 fits core liners
N.i.	91906112	Support tube, brass ID4,4 - AD5,0 - L200mm