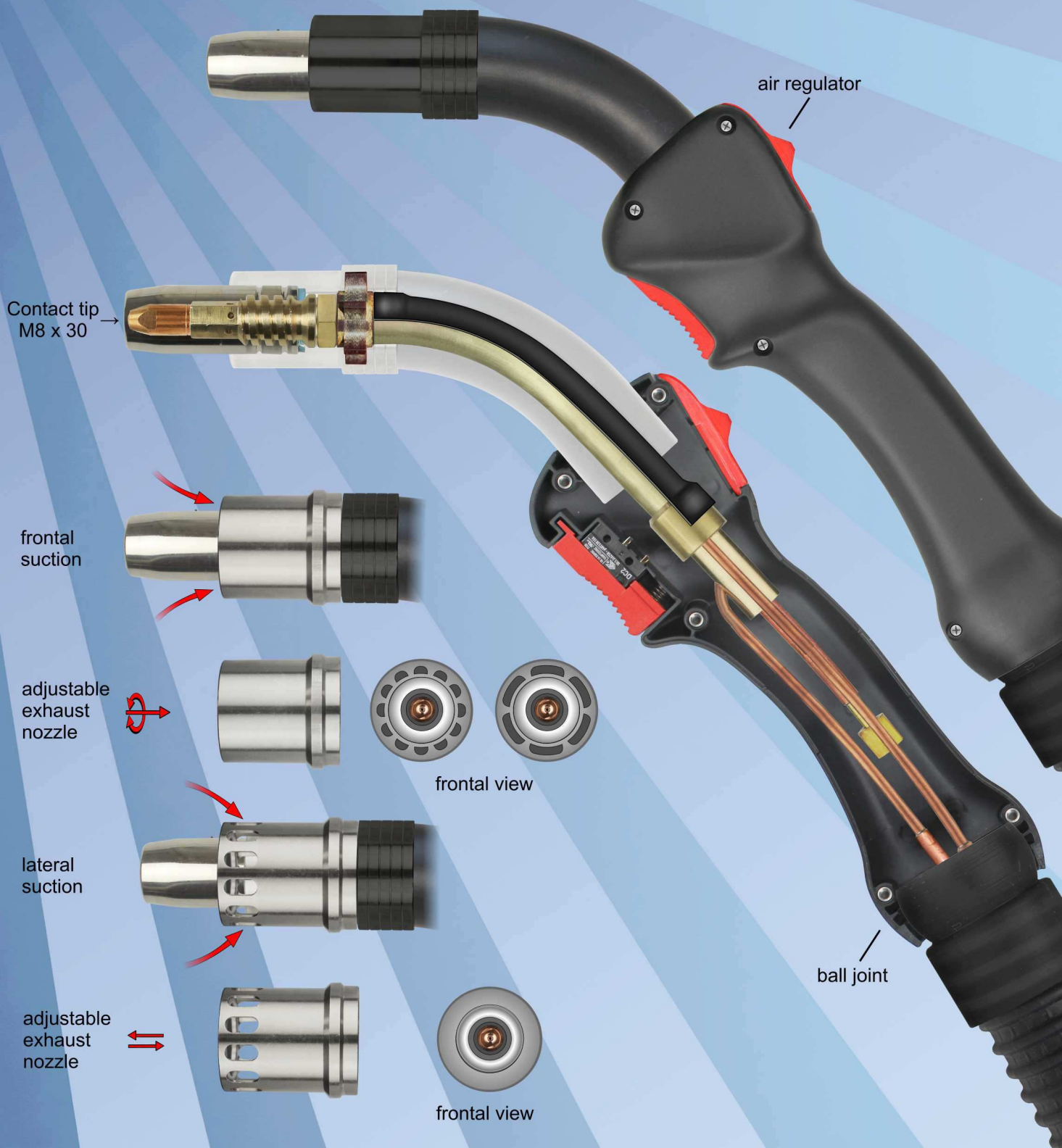


# MHS RAUCH-330

water-cooled



330 Amp./100% duty cycle (CO<sub>2</sub>)  
290 Amp./100% duty cycle (mixed gas)

**Spare parts like:**

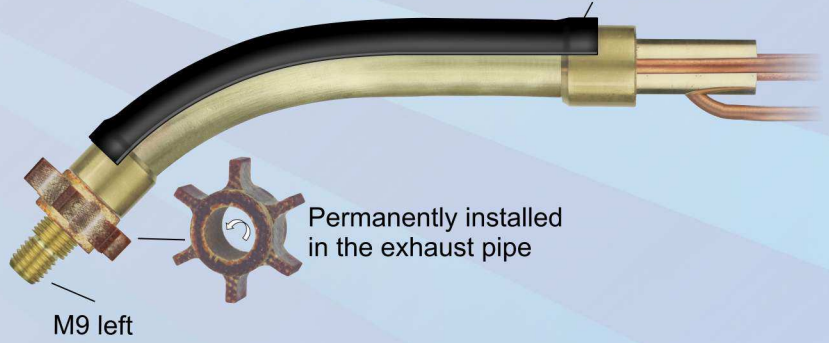
MHS RAUCH-250 air-cooled

# MHS RAUCH-330

water-cooled

Torch body  
Part No. r3309101

Insulating hose  
Part No. r2509121



Permanently installed  
in the exhaust pipe

Adjustable exhaust  
nozzle for **frontal**  
suction

Adjustable exhaust  
nozzle for **lateral**  
suction



internal  
O-ring  
Part No.  
r9131011

Part No. r9130012  
(Brass plated)



Part No. r9130013  
(Brass plated)



Exhaust tube  
Part No. r2509102  
(Aluminium black  
anodised)

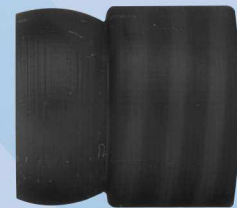


Air regulator

Drilled hole  
Ø 30mm

RAUCH-handle with air regulator  
Part No. r9193801

Ball joint  
fits RAUCH - exhaust hose



Ø 32mm Part No. r9193803  
Ø 38mm Part No. r9193804



Contact tip M8 x 30  
Part No. 830□401(CuCrZr)  
□ Please fill in wire diameter



Nozzle receptacle  
with acme thread  
Part No. ven98001



Locking washer  
Part No. ven91985



Brass nut M10x1  
Part No. ven91984



Conical gas nozzle ID 15mm  
with acme thread  
Part No. ven93002



Cylindric gas nozzle ID 18mm  
with acme thread  
Part No. ven93302



Narrow-gap gas nozzle  
Part No. r3309364



Narrow-gap gas nozzle  
(lower part)  
Part No. r3309362  
with silicon ring  
Part No. r3309363



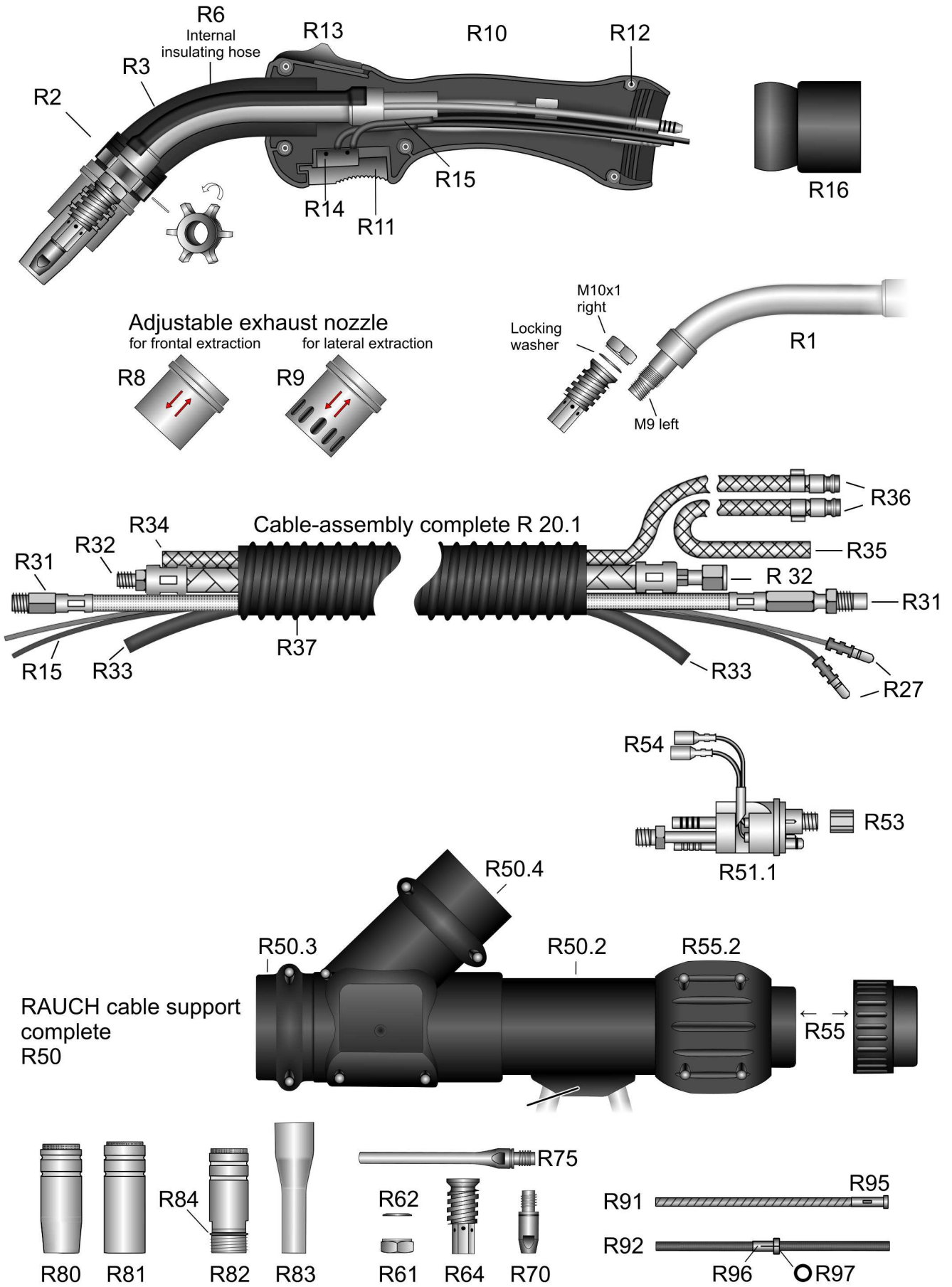
Narrow-gap contact tip  
Part No. 88551241

HSN 865-3



# MHS RAUCH-330 water-cooled

330 Ampere at 100% duty cycle (CO<sub>2</sub>) - 290 Ampere at 100% duty cycle (mixed gas)



HSN 866-3

# MHS RAUCH-330

## Welding-torch MIG-MAG water-cooled

330A at 100% duty cycle (CO<sub>2</sub>) - 290A at 100% duty cycle (mixed gas)

### Art.-No.

#### Spare parts as torch MHS RAUCH-250 air-cooled

r3300311 Torch MHS RAUCH-330 / 3m EURO central adapter exhaust hose ID38mm

r3300411 Torch MHS RAUCH-330 / 4m EURO central adapter exhaust hose ID38mm

r3300511 Torch MHS RAUCH-330 / 5m EURO central adapter exhaust hose ID38mm

r3300312 Torch MHS RAUCH-330 / 3m EURO central adapter exhaust hose ID32mm

r3300412 Torch MHS RAUCH-330 / 4m EURO central adapter exhaust hose ID32mm

r3300512 Torch MHS RAUCH-330 / 5m EURO central adapter exhaust hose ID32mm

#### For torches without EURO central-adaptor the following prices apply.

**Please note that for some special machine side connections surcharges may arise, which you will find in the appendix "A" custom made products.**

r3300301 Torch MHS RAUCH-330 / 3m exhaust hose ID38mm

r3300401 Torch MHS RAUCH-330 / 4m exhaust hose ID38mm

r3300501 Torch MHS RAUCH-330 / 5m exhaust hose ID38mm

r3300302 Torch MHS RAUCH-330 / 3m exhaust hose ID32mm

r3300402 Torch MHS RAUCH-330 / 4m exhaust hose ID32mm

r3300502 Torch MHS RAUCH-330 / 5m exhaust hose ID32mm

R1 r3309101 Torch body MHS RAUCH-330 with insulation and hexagon nut

R2 r2509102 Fume suction tube for torch body RAUCH-250/330

R3 r3309103 Fume suction tube with torch body, complete with all consumables (contact tip 1,2) without fume suction nozzle

R6 r2509121 Section of silicone/glas insulating hose ID12,6-L125mm heat resistant up to 200°C

R8 **r9130012** Fume suction nozzle for RAUCH-250 / RAUCH-330 made of brass nickel plated, frontal suction, adjustable, complete with special o-ring high temperature resistant

R9 r9130013 Fume suction nozzle for RAUCH-250 / RAUCH-330 made of brass nickel plated, side suction, adjustable, complete with special o-ring high temperature resistant

#### **RAUCH-handle complete with air-slider, switch and all sundries. Please order ball joint separately depending on the exhaust hose for either ID32mm or ID38mm.**

R10 r9193801 RAUCH-handle black

R11 91912439 Push button red for Ratio handle also fits RAUCH handle

R12 91920703 M3 mounting socket fits Ratio/Industry/RAUCH handle and cable support

N.i. 91920702 Screw M3x11,5mm fits Ratio/Industry/RAUCH handle and cable support

R13 r9193802 RAUCH-air slider red

R14 91912438 Ratio microswitch DC2 also fits RAUCH handle

#### **Reel goods:**

**Prices are per meter and only applicable if a complete reel is purchased.**

R15 91902601 Meter control line 2x0,5mm<sup>2</sup> silicone red (100m)

R15 91902602 Meter control line 2x0,5mm<sup>2</sup> silicone white (100m)

R16 r9193803 RAUCH-ball joint fits hose ID32mm

R16 r9193804 RAUCH-ball joint fits hose ID38mm

#### **Cable assembly for EURO central adapter consisting of:**

**Exhaust hose, wire/power/gas conduit 35mm<sup>2</sup>, water conduit and control line.**

R20 ven92311 Spare cable assembly RAUCH-330 / RAUCH-450-SC 3m / without EURO central adapter exhaust hose ID38mm, complete with 2m leather protection sleeve

# MHS RAUCH-330

## Welding-torch MIG-MAG water-cooled

330A at 100% duty cycle (CO<sub>2</sub>) - 290A at 100% duty cycle (mixed gas)

<b>Art.-No.</b>		
R20	ven92411	Spare cable assembly RAUCH-330 / RAUCH-450-SC 4m / without EURO central adapter exhaust hose ID38mm, complete with 2m leather protection sleeve
R20	ven92511	Spare cable assembly RAUCH-330 / RAUCH-450-SC 5m / without EURO central adapter exhaust hose ID38mm, complete with 2m leather protection sleeve
R20	ven92312	Spare cable assembly RAUCH-330 / 3m without EURO central adapter exhaust hose ID32mm complete with 2m leather protection sleeve
R20	ven92412	Spare cable assembly RAUCH-330 / 4m without EURO central adapter exhaust hose ID32mm complete with 2m leather protection sleeve
R20	ven92512	Spare cable assembly RAUCH-330 / 5m without EURO central adapter exhaust hose ID32mm complete with 2m leather protection sleeve
<b>Cable assembly for EURO central adapter consisting of: Exhaust hose, wire conduit, power/watercable, water hose, gas hose and control line.</b>		
R20.1	ven91311	Spare cable assembly RAUCH-330 / RAUCH-450-SC 3m / without EURO central adapter separate lines, exhaust hose ID38mm, complete with 2m leather protection sleeve
R20.1	ven91411	Spare cable assembly RAUCH-330 / RAUCH-450-SC 4m / without EURO central adapter separate lines, exhaust hose ID38mm, complete with 2m leather protection sleeve
R20.1	ven91511	Spare cable assembly RAUCH-330 / RAUCH-450-SC 5m / without EURO central adapter separate lines, exhaust hose ID38mm, complete with 2m leather protection sleeve
R20.1	ven91312	Spare cable assembly RAUCH-330 / 3m without EURO central adapter separate lines, exhaust hose ID38mm, complete with 2m leather protection sleeve
R20.1	ven91412	Spare cable assembly RAUCH-330 / 4m without EURO central adapter separate lines, exhaust hose ID38mm, complete with 2m leather protection sleeve
R20.1	ven91512	Spare cable assembly RAUCH-330 / 5m without EURO central adapter separate lines, exhaust hose ID38mm, complete with 2m leather protection sleeve
R21	ven94311	Wire-/Power-/Gas conduit fits extraction torch 3m 35mm <sup>2</sup>
R21	ven94411	Wire-/Power-/Gas conduit fits extraction torch 4m 35mm <sup>2</sup>
R21	ven94511	Wire-/Power-/Gas conduit fits extraction torch 5m 35mm <sup>2</sup>
R22	ven91992	Section of silicone/glas insulating hose ID12,6-L700mm heat resistant up to 200°C
R23	15912201	Lock-nut M10x1-L6mm for Swan neck
R27	91902901	Male connector cable-plug for machine side EURO central adapter
R31	r950e311	Wire conduit RAUCH / 3m EURO central adapter (PA) black (hard)
R31	r950e411	Wire conduit RAUCH / 4m EURO central adapter (PA) black (hard)
R31	r950e511	Wire conduit RAUCH / 5m EURO central adapter (PA) black (hard)
<b>HT RAB heat-resistant special rubber fabric hose (fabric on inner side), thick, mechanically highly resilient and extremely welding fume resistant</b>		
R32	r9400311	HT RAB rubber fabric hose power/water cable RAUCH / 3m EURO central adapter
R32	r9400411	HT RAB rubber fabric hose power/water cable RAUCH / 4m EURO central adapter
R32	r9400511	HT RAB rubber fabric hose power/water cable RAUCH / 5m EURO central adapter
<b>Reel goods: Prices are per meter and only applicable if a complete reel is purchased.</b>		
N.i.	r3200001	Meter exhaust hose ID32mm (18m)
N.i.	r3800001	Meter exhaust hose ID38mm (18m)
N.i.	r3200011	Leather-covering ID-45mm appr. 2m long, for fume extraction hose ID-32mm
N.i.	r3800011	Leather-sleeve ID-45mm appr. 2m long, for fume extraction hose ID-38mm
R33	50170005	Meter HT 130 TPE fabric hose ID5,0-W1,7mm grey (100m)
R34	50172005	Meter HT 130 TPE fabric hose ID5,0-W1,7mm blue for water "RAUCH" (100m)

## MHS RAUCH-330

### Welding-torch MIG-MAG water-cooled

**330A at 100% duty cycle (CO<sub>2</sub>) - 290A at 100% duty cycle (mixed gas)**

<b>Art.-No.</b>		
R35	50171005	Meter HT 130 TPE fabric hose ID5,0-W1,7mm red for water "RAUCH" (100m)
N.i.	81000001	Meter PUR protection hose ID8,5-W1mm fits water hoses OD8,4mm (100m)
N.i.	s5080001	Meter shrinking hose, heatresistant 2:1, ID50,8mm (5m)
R36	91901001	Cooling liquid plug nipples EURO
N.i.	91901008	Closing cap blue fits cooling liquid plug nipples EURO
N.i.	91901009	Closing cap red fits cooling liquid plug nipples EURO
R37	r3200311	Section of exhaust hose 2,4m ID32mm / fits 3m RAUCH torch
R37	r3200411	Section of exhaust hose 3,4m ID32mm / fits 4m RAUCH torch
R37	r3200511	Section of exhaust hose 4,4m ID32mm / fits 5m RAUCH torch
R37	r3800311	Section of exhaust hose 2,4m ID38mm / fits 3m RAUCH torch
R37	r3800411	Section of exhaust hose 3,4m ID38mm / fits 4m RAUCH torch
R37	r3800511	Section of exhaust hose 4,4m ID38mm / fits 5m RAUCH torch
R50	91700001	Fume central adapter connection-system for water-cooled torches complete. Consisting of: 91700061 + 91700011 + 91700021 + 91700031 + 91700051 + 91700041 + 91900702
R50.2	91700061	Fume central adapter / fume protected area to connect support lines, lateral mouth for rubber grommet, 2 halves complete with bushing and screws and 1 red O-ring
R50.3	91700011	Fume central adapter chamber rotatable 360°. 2 halves complete with bushing, screws and 2 O-rings (red). Fits to genuine Holch extraction connection adapter 4° and central adapter connection chamber
R50.4	91700021	Fume central adapter extraction connection 45°, 2 half pieces complete with bushes and screws. Only for genuine Holch central adapter rotatable extraction chamber
N.i.	91700031	Fume central adapter membrane OD35-8mm thick for the genuine Holch fume protected central adapter connection chamber for water-cooled RAUCH fume extraction torch
R50.5	91700051	Fume central adapter rubber grommet with 2 inlets for water lines for the genuine Holch fume protected central adapter connection chamber
N.i.	r9131002	Special high heat resistant O-ring ID33mm-W2mm fits fume extraction connection chamber
N.i.	91700111	Special high heat resistant O-ring ID46mm-W2mm fits fume extraction chamber
R51.1	91900206	Central adapter spring contact-pins EURO central adapter
R51.1	91900201	Central adapter fixed contact-pins EURO central adapter
R52	91900801	O-ring ID4-W1mm fits gas-nipple EURO central adapter
R53	91900901	Coupling nut IT-M10x1 (rounded edges) fits EURO central adapter
R54	91903001	Female connector cable-plug fits machine side EURO central adapter
R55	91900702	Terminal nut insulated fits EURO central adapter (widened fits RAUCH)
R55.2	91700041	Strengthening for terminal nut EURO vental adapter2 halves complete with bushing and screws (black)
R61	ven91984	Hexagon nut M9 left hand thread SW14 with flange
R62	ven91985	Tooth lock washer AD-13-ID9mm
R64	ven98001	Tip/nozzle holder Rauch-250 / RAUCH-330
R70	83008401	Contact tip M8-L30-D10 0,8 CuCrZr
R70	83010401	Contact tip M8-L30-AD10 CuCrZr 1,0
R70	83012401	Contact tip M8-L30-AD10 CuCrZr 1,2
R70	83014401	Contact tip M8-L30-AD10 CuCrZr 1,4
R70	83008a01	Contact tip M8-L30-D10 0,8-A for aluminium wire

## MHS RAUCH-330

### Welding-torch MIG-MAG water-cooled

**330A at 100% duty cycle (CO<sub>2</sub>) - 290A at 100% duty cycle (mixed gas)**

<b>Art.-No.</b>		
R70	83010a01	Contact tip M8-L30-D10 1,0-A for aluminium wire
R70	83012a01	Contact tip M8-L30-D10 1,2-A for aluminium wire
R75	88551241	Narrow gap-contact tip M8-L85,5-D10 turned down to 6mm 1,2 CuCrZr
R80	ven93002	Gas nozzle RAUCH-250/330 conical-ID15mm with spatter protection
R81	ven93302	Gas nozzle RAUCH-250/330 cylindrical-ID18mm with spatter protection
R82	r3309362	Narrow-gap lower section with silicone sealing ring for MHS RAUCH-250 / MHS RAUCH-330
R83	r3309364	Narrow-gap gas nozzle ID11-OD14mm / length 70mm for narrow-gap lower section MHS RAUCH-250 / RAUCH-330
R84	r3309363	Silicon seal for narrow-gap lower section MHS RAUCH-250 / MHS RAUCH-330
R91	19390311	Guide spiral-line ID1,9-AD3,9 fits 3m / EURO central adapter
R91	19390411	Guide spiral-line ID1,9-AD3,9 fits 4m / EURO central adapter
R91	19390511	Guide spiral-line ID1,9-AD3,9 fits 5m / EURO central adapter
R91	20450311	Guide spiral-line ID2,0-AD4,5 fits 3m / EURO central adapter
R91	20450411	Guide spiral-line ID2,0-AD4,5 fits 4m / EURO central adapter
R91	20450511	Guide spiral-line ID2,0-AD4,5 fits 5m / EURO central adapter
R91	25450311	Guide spiral-line ID2,5-AD4,5 fits 3m / EURO central adapter
R91	25450411	Guide spiral-line ID2,5-AD4,5 fits 4m / EURO central adapter
R91	25450511	Guide spiral-line ID2,5-AD4,5 fits 5m / EURO central adapter
R92	20393311	PTFE-carbon core liner ID2,0-AD3,9 fits 3m / EURO central adapter
R92	20393411	PTFE-carbon core liner ID2,0-AD3,9 fits 4m / EURO central adapter
R92	20393511	PTFE-carbon core liner ID2,0-AD3,9 fits 5m / EURO central adapter
R92	20406311	PA-core liner black ID2,0-AD4,0 fits 3m / EURO central adapter
R92	20406411	PA-core liner black ID2,0-AD4,0 fits 4m / EURO central adapter
R92	20406511	PA-core liner black ID2,0-AD4,0 fits 5m / EURO central adapter
N.i.	20405002	Brass spiral liner blue L300mm IG fits AD3,9/4,0mm
R95	91905721	Nipple fits spiral liner EURO central adapter AD 4,5mm
R96	91906111	Nipple fits core liner EURO central adapter AD3,9/4,0mm
R97	91906131	O-ring ID3,5-W1,5 fits core liners
N.i.	91906112	Support tube, brass ID4,4 - AD5,0 - L200mm