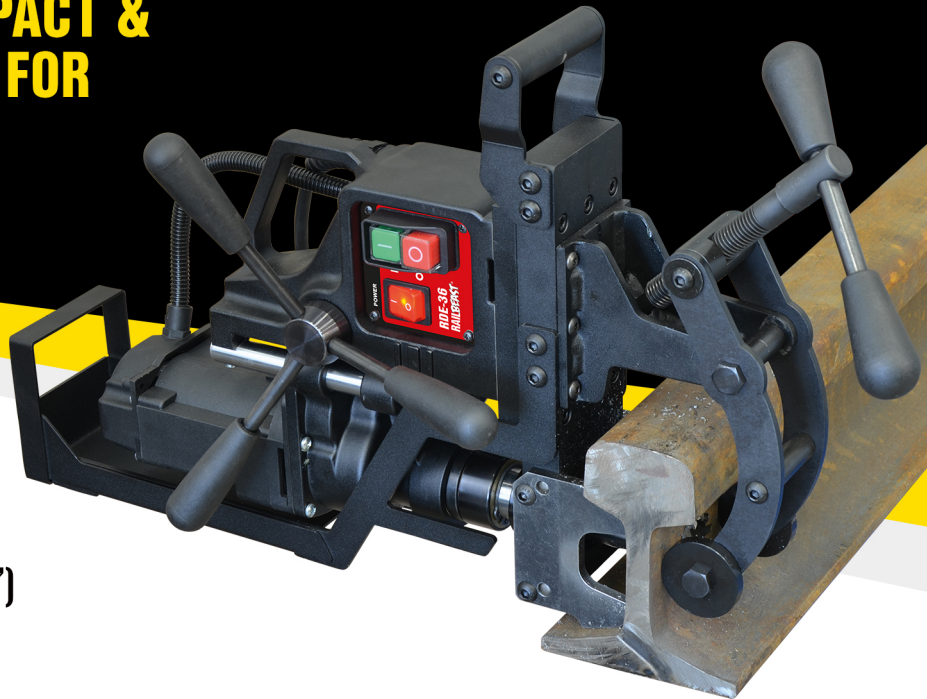


# RAILBEAST®

**JEI**  
Solutions  
Built for Industry

# RDE-36

**A VERY POWERFUL COMPACT & LIGHTWEIGHT MACHINE FOR DRILLING IN RAILS.**



**Core drill: max 36 mm (1-7/16")**



**Twist drill: max 16 mm (5/8")  
with Weldon Shank 19 mm (3/4")**



**Depth of cut: up to 30 mm (1-3/16")**



**Stroke: 40 mm (1-9/16")**



**Speed: 350 rpm**



**Motor Power: 920 W**



**Weight: 14.5 kg (32 lbs)**

Fast positioning, quick clamping and instant unlocking mechanisms make it easy to use and safe device.

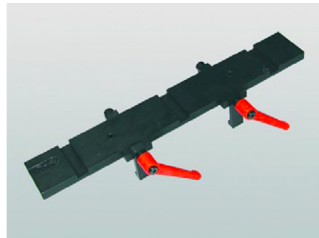
RDE-36 enables drilling in rails of any standard by means of 2pcs of optional rail profile templates and 1pcs of hole centre positioner, to be chosen by customers from a comprehensive range of auxiliary accessories dedicated to a variety of types of rails.

Pressure Coolant system including 5l bottle enables forced feeding of cooling medium in any drilling positions. It is ideal solution when gravitational feeding fails.

RDE-36 can also be ordered with Honda 4-stroke petrol motor as RDE-36.

CALL 01706 229 490 TO BOOK YOUR DEMONSTRATION NOW OR VISIT [WWW.JEIUK.COM](http://WWW.JEIUK.COM)





**RAIL PROFILE TEMPLATES AND HOLE CENTRE POSITIONER ARE TO BE ORDERED, SEPARATELY.**

Upon customer's request any rail profile templates and hole centre positioners are subject to manufacture to meet any required rail standard.

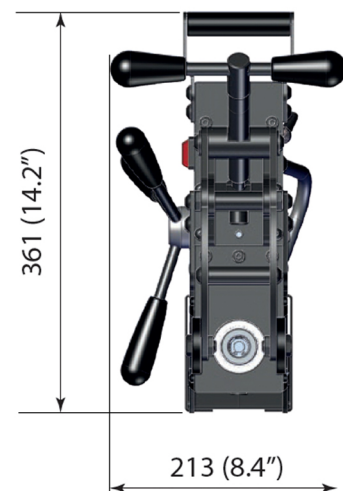
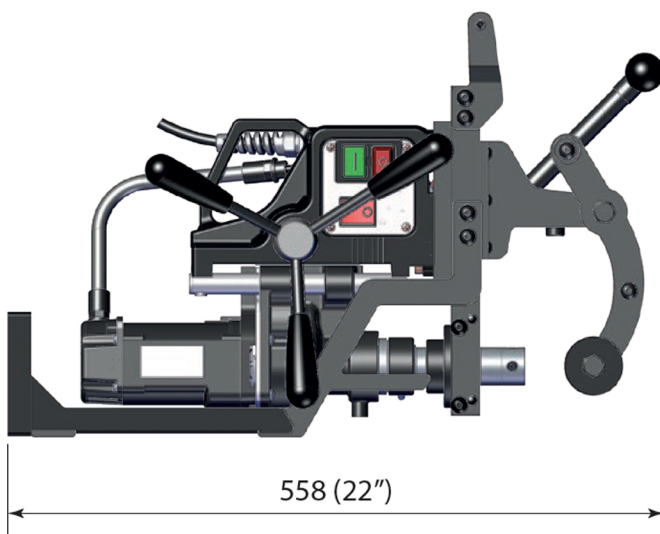
RDE-36 TECHNICAL SPECIFICATION	
Tool Holder	Arbor 19 mm; 3/4" Weldon
Max milling capacity	36 mm (1-7/16")
Max drilling capacity	Ø 16 mm (5/8")
Stroke	40 mm (1-9/16")
Max depth of cut	30 mm (1-3/16")
Motor type	Electric 1~ 220-240 V, 50-60 Hz 1~ 110-120 V, 50-60 Hz
Power consumption	1000 W
Motor Power	920 W
Speeds	350 rpm
Weight	14,5 kg (32 lbs)
Product Code	DRILL-RDE-36/1 (110v) DRILL-RDE-36/2 (220v)

**RAIL PROFILE TEMPLATES: HOLE CENTRE POSITIONERS: STANDARD SHIPPING SET**

- UIC54 Template** RAIL-TEMPUIC54
- UIC60 Template** RAIL-TEMPUIC60
- P50 Template** RAIL-TEMPPP50
- P65 Template** RAIL-TEMPPP65
- S49 Template** RAIL-TEMPS49

- UIC54 Positioner** RAIL-POSUIC54
- UIC60 Positioner** RAIL-POSUIC60
- P50 Positioner** RAIL-POSP50
- P65 Positioner** RAIL-POSP65
- S49 Positioner** RAIL-POSS49

- ✔ Rail Drilling Machine
- ✔ Metal Box
- ✔ Pressure Coolant 5l Bottle Assembly
- ✔ Set of Tools
- ✔ Instruction Manual (English)
- ✔ Standard shipping weight – 33,6kg (72 lbs 8 oz)



CALL 01706 229 490 TO BOOK YOUR DEMONSTRATION NOW OR VISIT [WWW.JEIUK.COM](http://WWW.JEIUK.COM)