



Barcode: 5060452080048

# tuffbank™

Product code: TB1

- » Our best-selling range of secure tool and equipment storage.
- » TuffBanks adhere to rigorous test standards required by the police.
- » Unique external and internal anti-jemmy systems for added security.



Watch the TuffBank in action



## Product features



5-lever deadlock



Gas strut (300N)



SlamStop lid stay



No detachable parts

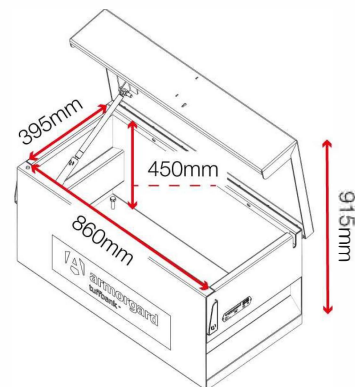
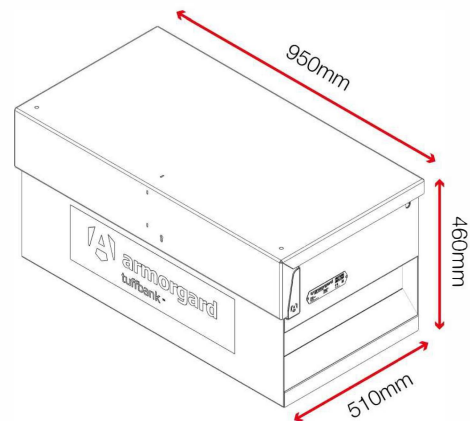


Suitable for vehicles

## Product specifications

Weight	50kg
Colour	Black grey: RAL 7021
Suitable for	Vehicle
Finished coating	Powder coated
Material & thickness	2mm and 3mm steel
Quantity of keys	2 keys
Suitable for vehicle mounting	Yes
How are castors fitted?	Not applicable
Other sizes available	7 other sizes
Qty of shelves as standard	No

## Dimensions



## Optional extras



Castor kit 80mm CAS80-SS-SB