



Barcode: 5060452080055

tuffbank™

Product code: TB12

- » Our best-selling range of secure tool and equipment storage.
- » TuffBanks adhere to rigorous test standards required by the police.
- » Unique external and internal anti-jemmy systems for added security.



Watch the TuffBank in action



Product features



2x 5-lever deadlock



Gas strut (300N)



SlamStop lid stay



Forklift skids



No detachable parts

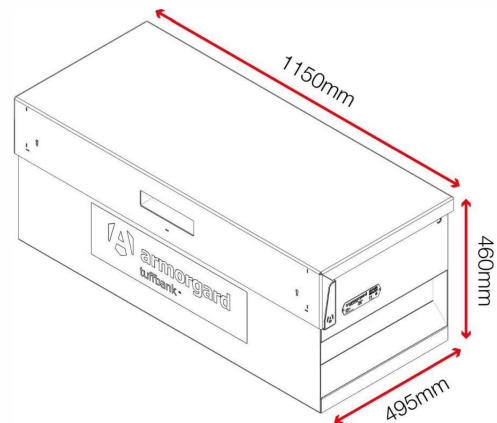


Suitable for vehicles

Product specifications

Weight	58kg
Colour	Black grey: RAL 7021
Suitable for	Vehicle
Finished coating	Powder coated
Material & thickness	2mm and 3mm steel
Quantity of keys	3 keys
Suitable for vehicle mounting	Yes
How are castors fitted?	Not applicable
Other sizes available	7 other sizes
Qty of shelves as standard	No

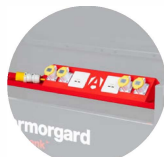
Dimensions



Optional extras



Shelf SHE-4



PowerShelf SHE-P4-110



Castor kit 80mm CAS80-SS-SB

